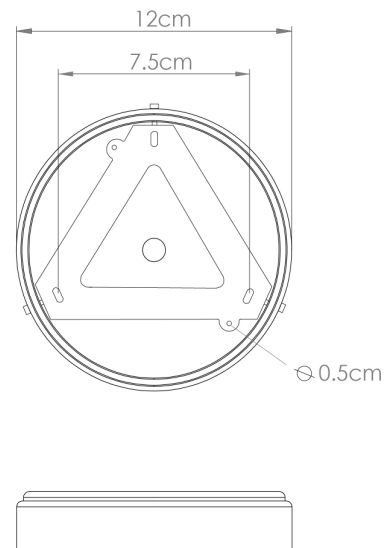




MATERIAL	Brass   Glass
HEIGHT	22cm   8.66"
WIDTH   DIAMETER	80cm   31.5"
LENGTH   PROJECTION	n/a
WEIGHT	4.2KG   9.26lbs
LAMP HOLDER	E27 or E26 *
MAX WATTAGE	40W x 5
VOLTAGE	220/240v or 110/120v *
IP RATING	20
CLASS PROTECTION	I
SHADE CODE	GL179
CABLE   CHAIN   BAR LENGT	100cm   40"
CABLE TYPE	MLCA047   2 Core Round   Brown Braid   PVC

Fixing Bracket MLWB17 | Antique Brass  
 \* Fixing bracket may differ for UL wired products.



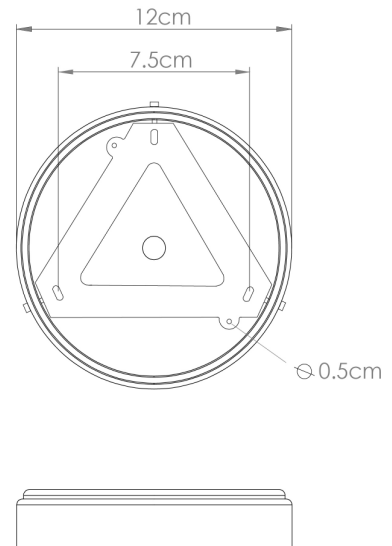
Product Notes:

1) Bulbs not included. 2) Dimensions do not include bulbs. 3) All products are individually made-to-order and therefore may differ slightly within manufacturing tolerances. 4) Cable / chain can be shortened during installation. Longer cable / chain lengths available on request. 5) Additional colour finishes may be available on request. 6) UL wired products operate at 110/120v with the appropriate lamp holder. 7) Twisted cable is not available for UL wired products. Round cable in black or brown only is supplied instead. 8) Refer to our website for a full list of terms and conditions.



MATERIAL	Brass   Glass
HEIGHT	22cm   8.66"
WIDTH   DIAMETER	80cm   31.5"
LENGTH   PROJECTION	n/a
WEIGHT	4.2KG   9.26lbs
LAMP HOLDER	E27 or E26 *
MAX WATTAGE	40W x 5
VOLTAGE	220/240v or 110/120v *
IP RATING	20
CLASS PROTECTION	I
SHADE CODE	GL180
CABLE   CHAIN   BAR LENGT	100cm   40"
CABLE TYPE	MLCA047   2 Core Round   Brown Braid   PVC

Fixing Bracket MLWB17 | Antique Brass  
 \* Fixing bracket may differ for UL wired products.



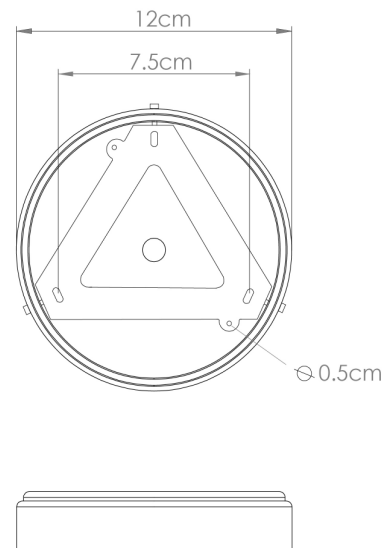
Product Notes:

1) Bulbs not included. 2) Dimensions do not include bulbs. 3) All products are individually made-to-order and therefore may differ slightly within manufacturing tolerances. 4) Cable / chain can be shortened during installation. Longer cable / chain lengths available on request. 5) Additional colour finishes may be available on request. 6) UL wired products operate at 110/120v with the appropriate lamp holder. 7) Twisted cable is not available for UL wired products. Round cable in black or brown only is supplied instead. 8) Refer to our website for a full list of terms and conditions.



MATERIAL	Brass   Glass
HEIGHT	22cm   8.66"
WIDTH   DIAMETER	80cm   31.5"
LENGTH   PROJECTION	n/a
WEIGHT	4.2KG   9.26lbs
LAMP HOLDER	E27 or E26 *
MAX WATTAGE	40W x 5
VOLTAGE	220/240v or 110/120v *
IP RATING	20
CLASS PROTECTION	I
SHADE CODE	GL183
CABLE   CHAIN   BAR LENGT	100cm   40"
CABLE TYPE	MLCA046   3 Core Round   Brown Braid   PVC

Fixing Bracket MLWB17 | Antique Brass  
 \* Fixing bracket may differ for UL wired products.



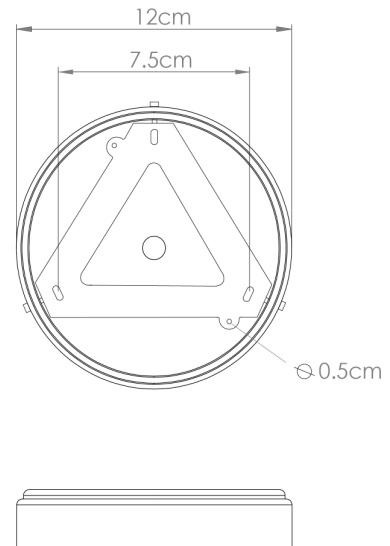
Product Notes:

1) Bulbs not included. 2) Dimensions do not include bulbs. 3) All products are individually made-to-order and therefore may differ slightly within manufacturing tolerances. 4) Cable / chain can be shortened during installation. Longer cable / chain lengths available on request. 5) Additional colour finishes may be available on request. 6) UL wired products operate at 110/120v with the appropriate lamp holder. 7) Twisted cable is not available for UL wired products. Round cable in black or brown only is supplied instead. 8) Refer to our website for a full list of terms and conditions.



MATERIAL	Brass   Glass
HEIGHT	22cm   8.66"
WIDTH   DIAMETER	80cm   31.5"
LENGTH   PROJECTION	n/a
WEIGHT	4.2KG   9.26lbs
LAMP HOLDER	E27 or E26 *
MAX WATTAGE	40W x 5
VOLTAGE	220/240v or 110/120v *
IP RATING	20
CLASS PROTECTION	I
SHADE CODE	GL179
CABLE   CHAIN   BAR LENGT	100cm   40"
CABLE TYPE	MLCA028   2 Core Round   Black Braid   PVC

Fixing Bracket MLWB17 | Antique Silver  
 \* Fixing bracket may differ for UL wired products.



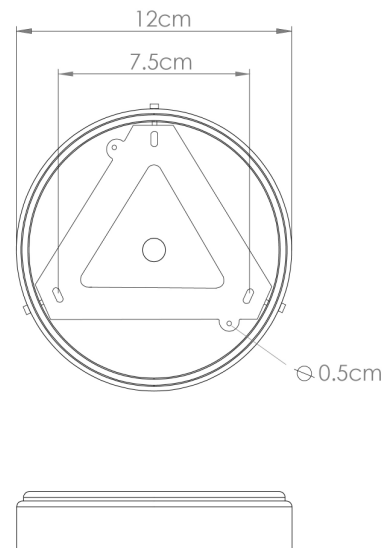
Product Notes:

1) Bulbs not included. 2) Dimensions do not include bulbs. 3) All products are individually made-to-order and therefore may differ slightly within manufacturing tolerances. 4) Cable / chain can be shortened during installation. Longer cable / chain lengths available on request. 5) Additional colour finishes may be available on request. 6) UL wired products operate at 110/120v with the appropriate lamp holder. 7) Twisted cable is not available for UL wired products. Round cable in black or brown only is supplied instead. 8) Refer to our website for a full list of terms and conditions.



MATERIAL	Brass   Glass
HEIGHT	22cm   8.66"
WIDTH   DIAMETER	80cm   31.5"
LENGTH   PROJECTION	n/a
WEIGHT	4.2KG   9.26lbs
LAMP HOLDER	E27 or E26 *
MAX WATTAGE	40W x 5
VOLTAGE	220/240v or 110/120v *
IP RATING	20
CLASS PROTECTION	I
SHADE CODE	GL180
CABLE   CHAIN   BAR LENGT	100cm   40"
CABLE TYPE	MLCA028   2 Core Round   Black Braid   PVC

Fixing Bracket MLWB17 | Antique Silver  
 \* Fixing bracket may differ for UL wired products.



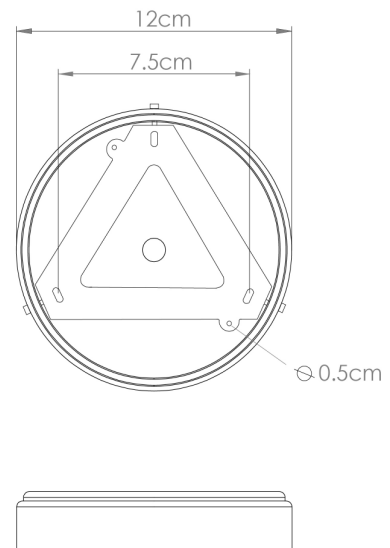
Product Notes:

1) Bulbs not included. 2) Dimensions do not include bulbs. 3) All products are individually made-to-order and therefore may differ slightly within manufacturing tolerances. 4) Cable / chain can be shortened during installation. Longer cable / chain lengths available on request. 5) Additional colour finishes may be available on request. 6) UL wired products operate at 110/120v with the appropriate lamp holder. 7) Twisted cable is not available for UL wired products. Round cable in black or brown only is supplied instead. 8) Refer to our website for a full list of terms and conditions.



MATERIAL	Brass   Glass
HEIGHT	22cm   8.66"
WIDTH   DIAMETER	80cm   31.5"
LENGTH   PROJECTION	n/a
WEIGHT	4.2KG   9.26lbs
LAMP HOLDER	E27 or E26 *
MAX WATTAGE	40W x 5
VOLTAGE	220/240v or 110/120v *
IP RATING	20
CLASS PROTECTION	I
SHADE CODE	GL183
CABLE   CHAIN   BAR LENGT	100cm   40"
CABLE TYPE	MLCA029   3 Core Round   Black Braid   PVC

Fixing Bracket MLWB17 | Antique Silver  
 \* Fixing bracket may differ for UL wired products.



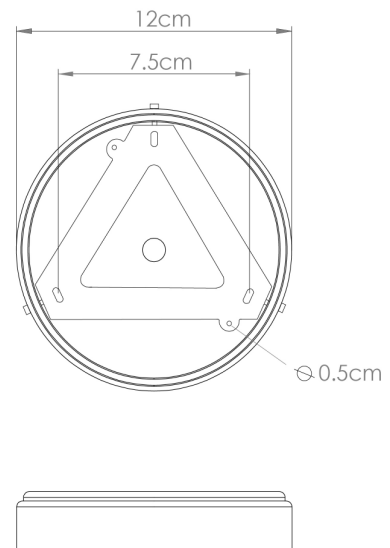
Product Notes:

1) Bulbs not included. 2) Dimensions do not include bulbs. 3) All products are individually made-to-order and therefore may differ slightly within manufacturing tolerances. 4) Cable / chain can be shortened during installation. Longer cable / chain lengths available on request. 5) Additional colour finishes may be available on request. 6) UL wired products operate at 110/120v with the appropriate lamp holder. 7) Twisted cable is not available for UL wired products. Round cable in black or brown only is supplied instead. 8) Refer to our website for a full list of terms and conditions.



MATERIAL	Brass   Glass   Aluminium
HEIGHT	22cm   8.66"
WIDTH   DIAMETER	80cm   31.5"
LENGTH   PROJECTION	n/a
WEIGHT	4.2KG   9.26lbs
LAMP HOLDER	E27 or E26 *
MAX WATTAGE	40W x 5
VOLTAGE	220/240v or 110/120v *
IP RATING	20
CLASS PROTECTION	I
SHADE CODE	GL179
CABLE   CHAIN   BAR LENGT	100cm   40"
CABLE TYPE	MLCA028   2 Core Round   Black Braid   PVC

Fixing Bracket MLWB17 | Matt Black  
 \* Fixing bracket may differ for UL wired products.



Product Notes:

1) Bulbs not included. 2) Dimensions do not include bulbs. 3) All products are individually made-to-order and therefore may differ slightly within manufacturing tolerances. 4) Cable / chain can be shortened during installation. Longer cable / chain lengths available on request. 5) Additional colour finishes may be available on request. 6) UL wired products operate at 110/120v with the appropriate lamp holder. 7) Twisted cable is not available for UL wired products. Round cable in black or brown only is supplied instead. 8) Refer to our website for a full list of terms and conditions.

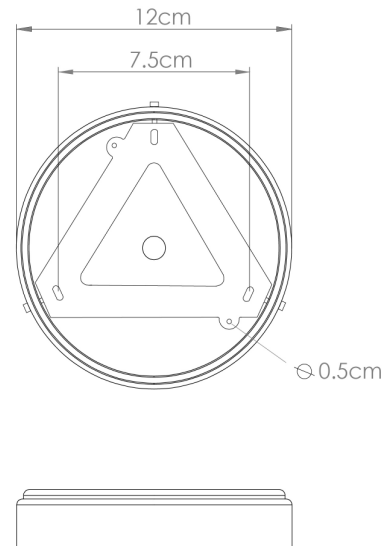




MATERIAL	Brass   Glass   Aluminium
HEIGHT	22cm   8.66"
WIDTH   DIAMETER	80cm   31.5"
LENGTH   PROJECTION	n/a
WEIGHT	4.2KG   9.26lbs
LAMP HOLDER	E27 or E26 *
MAX WATTAGE	40W x 5
VOLTAGE	220/240v or 110/120v *
IP RATING	20
CLASS PROTECTION	I
SHADE CODE	GL180
CABLE   CHAIN   BAR LENGT	100cm   40"
CABLE TYPE	MLCA028   2 Core Round   Black Braid   PVC

Fixing Bracket MLWB17 | Matt Black

\* Fixing bracket may differ for UL wired products.



Product Notes:

1) Bulbs not included. 2) Dimensions do not include bulbs. 3) All products are individually made-to-order and therefore may differ slightly within manufacturing tolerances. 4) Cable / chain can be shortened during installation. Longer cable / chain lengths available on request. 5) Additional colour finishes may be available on request. 6) UL wired products operate at 110/120v with the appropriate lamp holder. 7) Twisted cable is not available for UL wired products. Round cable in black or brown only is supplied instead. 8) Refer to our website for a full list of terms and conditions.

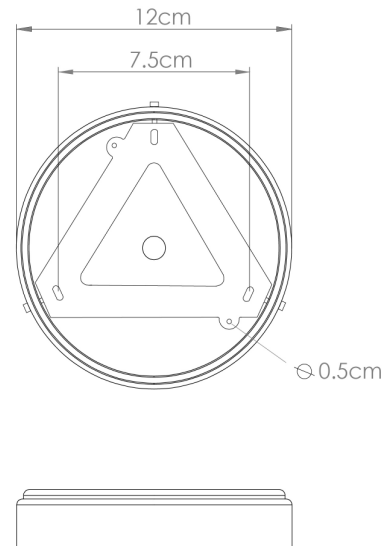




MATERIAL	Brass   Glass   Aluminium
HEIGHT	22cm   8.66"
WIDTH   DIAMETER	80cm   31.5"
LENGTH   PROJECTION	n/a
WEIGHT	4.2KG   9.26lbs
LAMP HOLDER	E27 or E26 *
MAX WATTAGE	40W x 5
VOLTAGE	220/240v or 110/120v *
IP RATING	20
CLASS PROTECTION	I
SHADE CODE	GL183
CABLE   CHAIN   BAR LENGT	100cm   40"
CABLE TYPE	MLCA029   3 Core Round   Black Braid   PVC

Fixing Bracket MLWB17 | Matt Black

\* Fixing bracket may differ for UL wired products.



Product Notes:

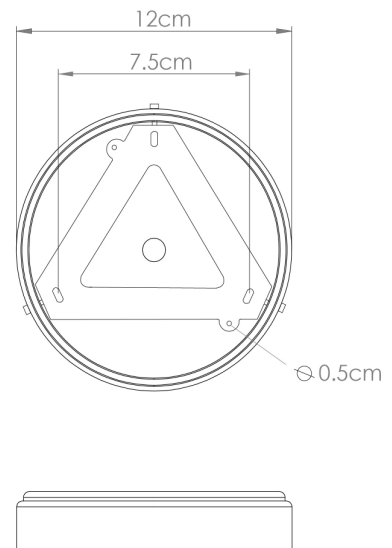
1) Bulbs not included. 2) Dimensions do not include bulbs. 3) All products are individually made-to-order and therefore may differ slightly within manufacturing tolerances. 4) Cable / chain can be shortened during installation. Longer cable / chain lengths available on request. 5) Additional colour finishes may be available on request. 6) UL wired products operate at 110/120v with the appropriate lamp holder. 7) Twisted cable is not available for UL wired products. Round cable in black or brown only is supplied instead. 8) Refer to our website for a full list of terms and conditions.



MATERIAL	Brass   Glass   Aluminium
HEIGHT	22cm   8.66"
WIDTH   DIAMETER	80cm   31.5"
LENGTH   PROJECTION	n/a
WEIGHT	4.2KG   9.26lbs
LAMP HOLDER	E27 or E26 *
MAX WATTAGE	40W x 5
VOLTAGE	220/240v or 110/120v *
IP RATING	20
CLASS PROTECTION	I
SHADE CODE	GL179
CABLE   CHAIN   BAR LENGT	100cm   40"
CABLE TYPE	MLCA028   2 Core Round   Black Braid   PVC

Fixing Bracket MLWB17 | White

\* Fixing bracket may differ for UL wired products.



Product Notes:

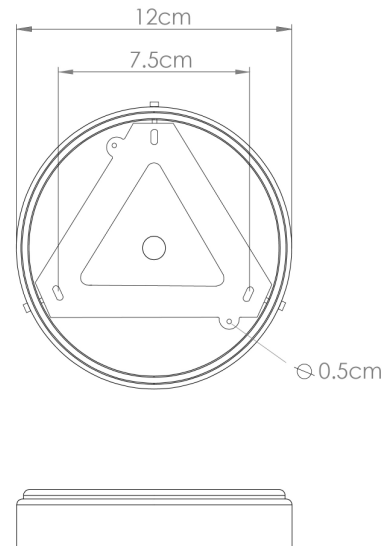
1) Bulbs not included. 2) Dimensions do not include bulbs. 3) All products are individually made-to-order and therefore may differ slightly within manufacturing tolerances. 4) Cable / chain can be shortened during installation. Longer cable / chain lengths available on request. 5) Additional colour finishes may be available on request. 6) UL wired products operate at 110/120v with the appropriate lamp holder. 7) Twisted cable is not available for UL wired products. Round cable in black or brown only is supplied instead. 8) Refer to our website for a full list of terms and conditions.



MATERIAL	Brass   Glass   Aluminium
HEIGHT	22cm   8.66"
WIDTH   DIAMETER	80cm   31.5"
LENGTH   PROJECTION	n/a
WEIGHT	4.2KG   9.26lbs
LAMP HOLDER	E27 or E26 *
MAX WATTAGE	40W x 5
VOLTAGE	220/240v or 110/120v *
IP RATING	20
CLASS PROTECTION	I
SHADE CODE	GL180
CABLE   CHAIN   BAR LENGT	100cm   40"
CABLE TYPE	MLCA028   2 Core Round   Black Braid   PVC

Fixing Bracket MLWB17 | White

\* Fixing bracket may differ for UL wired products.



Product Notes:

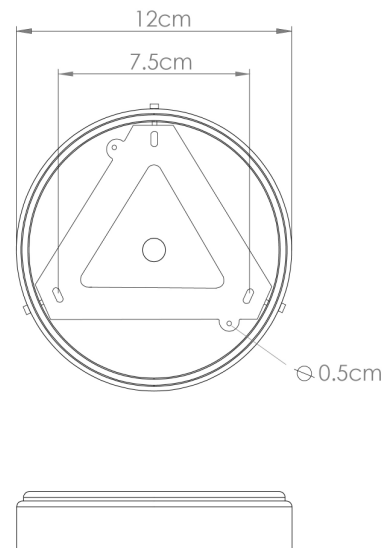
1) Bulbs not included. 2) Dimensions do not include bulbs. 3) All products are individually made-to-order and therefore may differ slightly within manufacturing tolerances. 4) Cable / chain can be shortened during installation. Longer cable / chain lengths available on request. 5) Additional colour finishes may be available on request. 6) UL wired products operate at 110/120v with the appropriate lamp holder. 7) Twisted cable is not available for UL wired products. Round cable in black or brown only is supplied instead. 8) Refer to our website for a full list of terms and conditions.



MATERIAL	Brass   Glass   Aluminium
HEIGHT	22cm   8.66"
WIDTH   DIAMETER	80cm   31.5"
LENGTH   PROJECTION	n/a
WEIGHT	4.2KG   9.26lbs
LAMP HOLDER	E27 or E26 *
MAX WATTAGE	40W x 5
VOLTAGE	220/240v or 110/120v *
IP RATING	20
CLASS PROTECTION	I
SHADE CODE	GL183
CABLE   CHAIN   BAR LENGT	100cm   40"
CABLE TYPE	MLCA029   3 Core Round   Black Braid   PVC

Fixing Bracket MLWB17 | White

\* Fixing bracket may differ for UL wired products.



Product Notes:

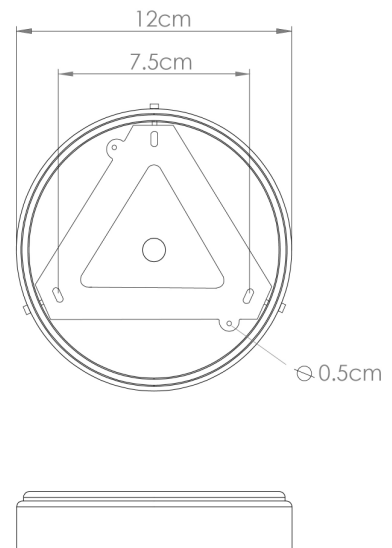
1) Bulbs not included. 2) Dimensions do not include bulbs. 3) All products are individually made-to-order and therefore may differ slightly within manufacturing tolerances. 4) Cable / chain can be shortened during installation. Longer cable / chain lengths available on request. 5) Additional colour finishes may be available on request. 6) UL wired products operate at 110/120v with the appropriate lamp holder. 7) Twisted cable is not available for UL wired products. Round cable in black or brown only is supplied instead. 8) Refer to our website for a full list of terms and conditions.



MATERIAL	Brass   Glass
HEIGHT	22cm   8.66"
WIDTH   DIAMETER	80cm   31.5"
LENGTH   PROJECTION	n/a
WEIGHT	4.2KG   9.26lbs
LAMP HOLDER	E27 or E26 *
MAX WATTAGE	40W x 5
VOLTAGE	220/240v or 110/120v *
IP RATING	20
CLASS PROTECTION	I
SHADE CODE	GL179
CABLE   CHAIN   BAR LENGT	100cm   40"
CABLE TYPE	MLCA028   2 Core Round   Black Braid   PVC

Fixing Bracket MLWB17 | Polished Brass

\* Fixing bracket may differ for UL wired products.



Product Notes:

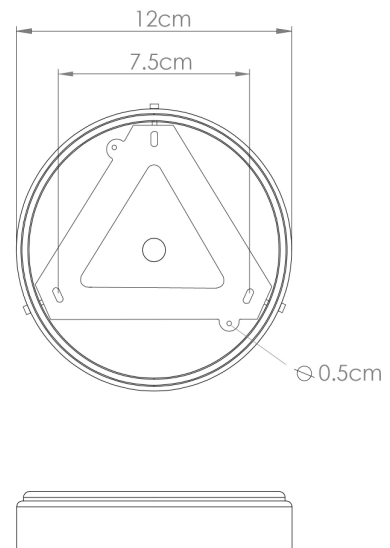
1) Bulbs not included. 2) Dimensions do not include bulbs. 3) All products are individually made-to-order and therefore may differ slightly within manufacturing tolerances. 4) Cable / chain can be shortened during installation. Longer cable / chain lengths available on request. 5) Additional colour finishes may be available on request. 6) UL wired products operate at 110/120v with the appropriate lamp holder. 7) Twisted cable is not available for UL wired products. Round cable in black or brown only is supplied instead. 8) Refer to our website for a full list of terms and conditions.



MATERIAL	Brass   Glass
HEIGHT	22cm   8.66"
WIDTH   DIAMETER	80cm   31.5"
LENGTH   PROJECTION	n/a
WEIGHT	4.2KG   9.26lbs
LAMP HOLDER	E27 or E26 *
MAX WATTAGE	40W x 5
VOLTAGE	220/240v or 110/120v *
IP RATING	20
CLASS PROTECTION	I
SHADE CODE	GL180
CABLE   CHAIN   BAR LENGT	100cm   40"
CABLE TYPE	MLCA028   2 Core Round   Black Braid   PVC

Fixing Bracket MLWB17 | Polished Brass

\* Fixing bracket may differ for UL wired products.



Product Notes:

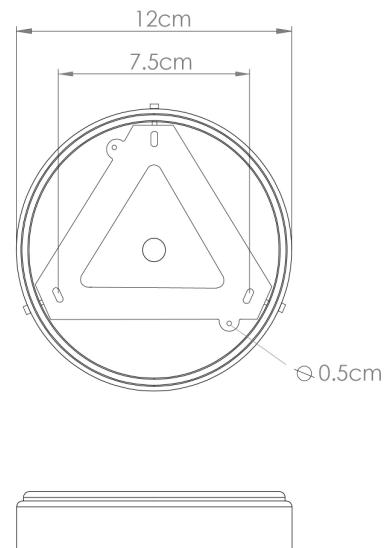
1) Bulbs not included. 2) Dimensions do not include bulbs. 3) All products are individually made-to-order and therefore may differ slightly within manufacturing tolerances. 4) Cable / chain can be shortened during installation. Longer cable / chain lengths available on request. 5) Additional colour finishes may be available on request. 6) UL wired products operate at 110/120v with the appropriate lamp holder. 7) Twisted cable is not available for UL wired products. Round cable in black or brown only is supplied instead. 8) Refer to our website for a full list of terms and conditions.



MATERIAL	Brass   Glass
HEIGHT	22cm   8.66"
WIDTH   DIAMETER	80cm   31.5"
LENGTH   PROJECTION	n/a
WEIGHT	4.2KG   9.26lbs
LAMP HOLDER	E27 or E26 *
MAX WATTAGE	40W x 5
VOLTAGE	220/240v or 110/120v *
IP RATING	20
CLASS PROTECTION	I
SHADE CODE	GL183
CABLE   CHAIN   BAR LENGT	100cm   40"
CABLE TYPE	MLCA029   3 Core Round   Black Braid   PVC

Fixing Bracket MLWB17 | Polished Brass

\* Fixing bracket may differ for UL wired products.



Product Notes:

1) Bulbs not included. 2) Dimensions do not include bulbs. 3) All products are individually made-to-order and therefore may differ slightly within manufacturing tolerances. 4) Cable / chain can be shortened during installation. Longer cable / chain lengths available on request. 5) Additional colour finishes may be available on request. 6) UL wired products operate at 110/120v with the appropriate lamp holder. 7) Twisted cable is not available for UL wired products. Round cable in black or brown only is supplied instead. 8) Refer to our website for a full list of terms and conditions.

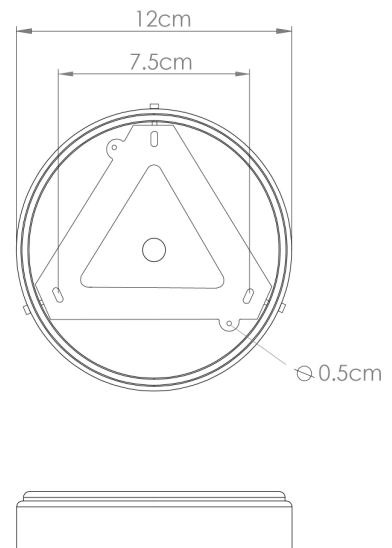




MATERIAL	Brass   Glass
HEIGHT	22cm   8.66"
WIDTH   DIAMETER	80cm   31.5"
LENGTH   PROJECTION	n/a
WEIGHT	4.2KG   9.26lbs
LAMP HOLDER	E27 or E26 *
MAX WATTAGE	40W x 5
VOLTAGE	220/240v or 110/120v *
IP RATING	20
CLASS PROTECTION	I
SHADE CODE	GL179
CABLE   CHAIN   BAR LENGT	100cm   40"
CABLE TYPE	MLCA028   2 Core Round   Black Braid   PVC

Fixing Bracket MLWB17 | Satin Brass

\* Fixing bracket may differ for UL wired products.



Product Notes:

1) Bulbs not included. 2) Dimensions do not include bulbs. 3) All products are individually made-to-order and therefore may differ slightly within manufacturing tolerances. 4) Cable / chain can be shortened during installation. Longer cable / chain lengths available on request. 5) Additional colour finishes may be available on request. 6) UL wired products operate at 110/120v with the appropriate lamp holder. 7) Twisted cable is not available for UL wired products. Round cable in black or brown only is supplied instead. 8) Refer to our website for a full list of terms and conditions.

# MADISON Chandelier

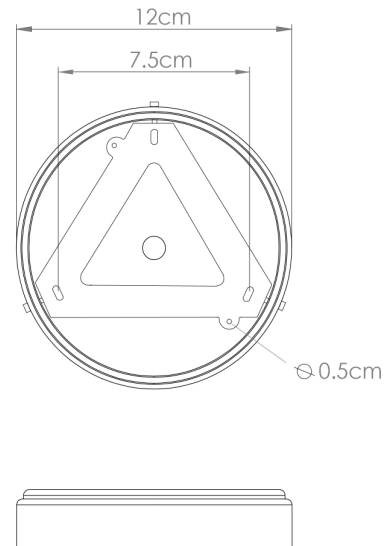
MLF313SATBRSFR Satin Brass



MATERIAL	Brass   Glass
HEIGHT	22cm   8.66"
WIDTH   DIAMETER	80cm   31.5"
LENGTH   PROJECTION	n/a
WEIGHT	4.2KG   9.26lbs
LAMP HOLDER	E27 or E26 *
MAX WATTAGE	40W x 5
VOLTAGE	220/240v or 110/120v *
IP RATING	20
CLASS PROTECTION	I
SHADE CODE	GL180
CABLE   CHAIN   BAR LENGT	100cm   40"
CABLE TYPE	MLCA028   2 Core Round   Black Braid   PVC

Fixing Bracket MLWB17 | Satin Brass

\* Fixing bracket may differ for UL wired products.



Product Notes:

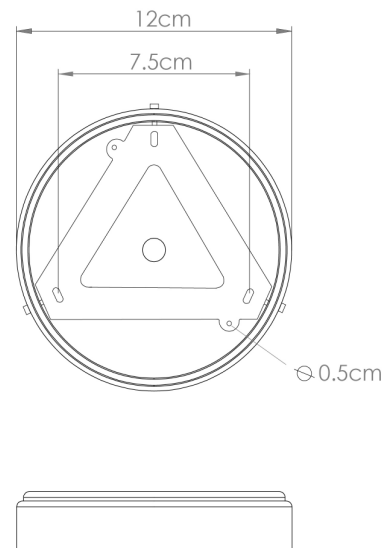
1) Bulbs not included. 2) Dimensions do not include bulbs. 3) All products are individually made-to-order and therefore may differ slightly within manufacturing tolerances. 4) Cable / chain can be shortened during installation. Longer cable / chain lengths available on request. 5) Additional colour finishes may be available on request. 6) UL wired products operate at 110/120v with the appropriate lamp holder. 7) Twisted cable is not available for UL wired products. Round cable in black or brown only is supplied instead. 8) Refer to our website for a full list of terms and conditions.



MATERIAL	Brass   Glass
HEIGHT	22cm   8.66"
WIDTH   DIAMETER	80cm   31.5"
LENGTH   PROJECTION	n/a
WEIGHT	4.2KG   9.26lbs
LAMP HOLDER	E27 or E26 *
MAX WATTAGE	40W x 5
VOLTAGE	220/240v or 110/120v *
IP RATING	20
CLASS PROTECTION	I
SHADE CODE	GL183
CABLE   CHAIN   BAR LENGT	100cm   40"
CABLE TYPE	MLCA029   3 Core Round   Black Braid   PVC

Fixing Bracket MLWB17 | Satin Brass

\* Fixing bracket may differ for UL wired products.



Product Notes:

1) Bulbs not included. 2) Dimensions do not include bulbs. 3) All products are individually made-to-order and therefore may differ slightly within manufacturing tolerances. 4) Cable / chain can be shortened during installation. Longer cable / chain lengths available on request. 5) Additional colour finishes may be available on request. 6) UL wired products operate at 110/120v with the appropriate lamp holder. 7) Twisted cable is not available for UL wired products. Round cable in black or brown only is supplied instead. 8) Refer to our website for a full list of terms and conditions.