

MATERIAL Brass | Glass

HEIGHT 47cm | 18.5"

WIDTH | DIAMETER 24cm | 9.45"

LENGTH | PROJECTION 56cm | 22.05"

WEIGHT 0KG | 0lbs

LAMPHOLDER E27 or E26

MAX WATTAGE 6.5W x 1

VOLTAGE 220/240v or 110/120v

IP RATING 65

CLASS PROTECTION II

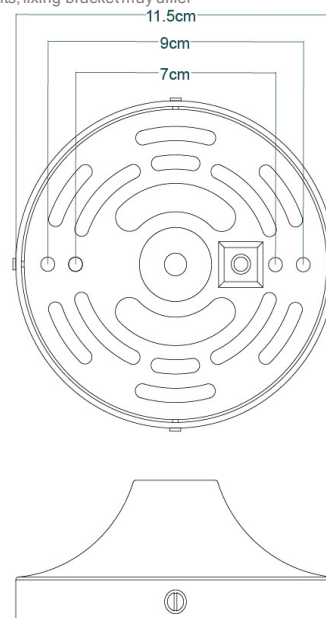
SHADE GLWP01

FLEX | BAR | CHAIN LENGT n/a

CABLE TYPE -

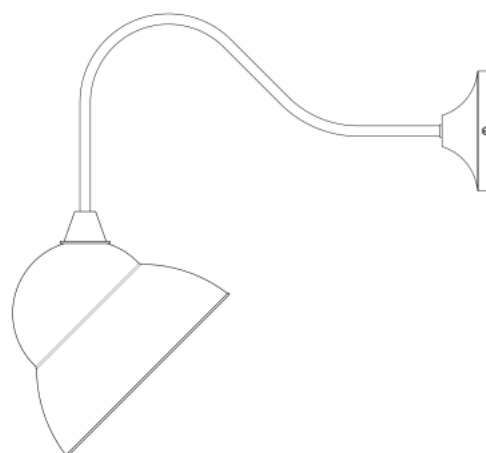
Fixing Bracket MLWB12 | Antique Brass

*For UL wired lights, fixing bracket may differ



Product Notes:

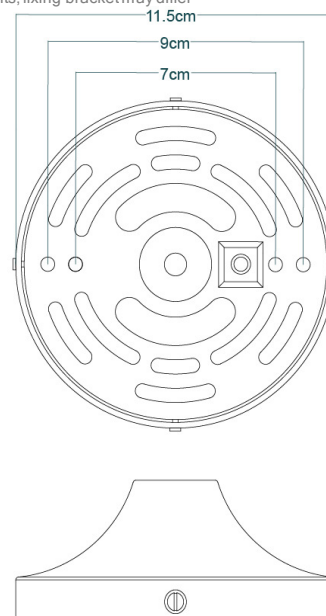
1) Lamps not included with light fixture. 2) All products are individually hand crafted, therefore may differ slightly within manufacturing tolerances. 3) Please refer to: <http://www.mullanlighting.com/terms> for full list of Terms & Conditions. 4) Cable/Chain can be shortened during installation. 5) Longer Cable/Chain available on request. 6) Additional colour finishes available on request. 7.) Dimensions do not include lamps. 8.) Products wired to UL standards will operate at 110/120v with the appropriate lampholders.



MATERIAL	Brass Glass
HEIGHT	47cm 18.5"
WIDTH DIAMETER	24cm 9.45"
LENGTH PROJECTION	56cm 22.05"
WEIGHT	0KG 0lbs
LAMPHOLDER	E27 or E26
MAX WATTAGE	6.5W x 1
VOLTAGE	220/240v or 110/120v
IP RATING	65
CLASS PROTECTION	II
SHADE	GLWP01
FLEX BAR CHAIN LENGT	n/a
CABLE TYPE	-

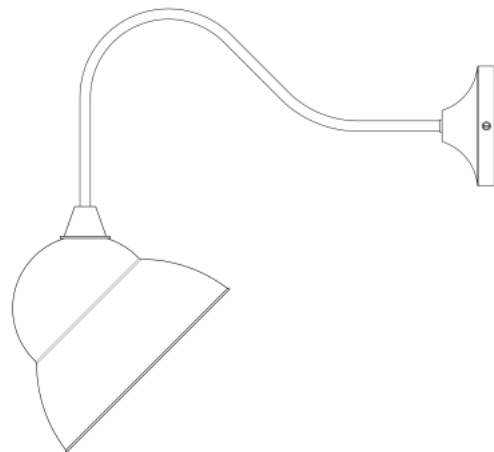
Fixing Bracket MLWB12 | Natural Brass

*For UL wired lights, fixing bracket may differ



Product Notes:

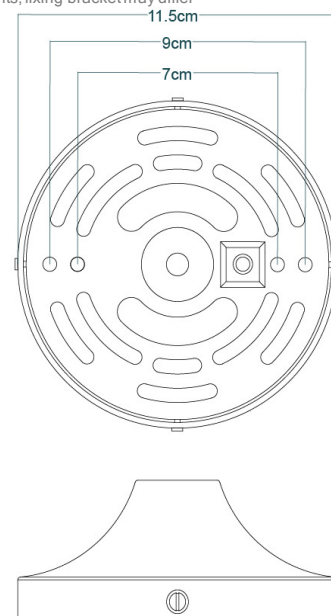
1) Lamps not included with light fixture. 2) All products are individually hand crafted, therefore may differ slightly within manufacturing tolerances. 3) Please refer to: <http://www.mullanlighting.com/terms> for full list of Terms & Conditions. 4) Cable/Chain can be shortened during installation. 5) Longer Cable/Chain available on request. 6) Additional colour finishes available on request. 7.) Dimensions do not include lamps. 8.) Products wired to UL standards will operate at 110/120v with the appropriate lampholders.



MATERIAL	Brass Glass
HEIGHT	47cm 18.5"
WIDTH DIAMETER	24cm 9.45"
LENGTH PROJECTION	56cm 22.05"
WEIGHT	0KG 0lbs
LAMPHOLDER	E27 or E26
MAX WATTAGE	6.5W x 1
VOLTAGE	220/240v or 110/120v
IP RATING	65
CLASS PROTECTION	II
SHADE	GLWP01
FLEX BAR CHAIN LENGT	n/a
CABLE TYPE	-

Fixing Bracket MLWB12 | Matt Black

*For UL wired lights, fixing bracket may differ



Product Notes:

1) Lamps not included with light fixture. 2) All products are individually hand crafted, therefore may differ slightly within manufacturing tolerances. 3) Please refer to: <http://www.mullanlighting.com/terms> for full list of Terms & Conditions. 4) Cable/Chain can be shortened during installation. 5) Longer Cable/Chain available on request. 6) Additional colour finishes available on request. 7.) Dimensions do not include lamps. 8.) Products wired to UL standards will operate at 110/120v with the appropriate lampholders.