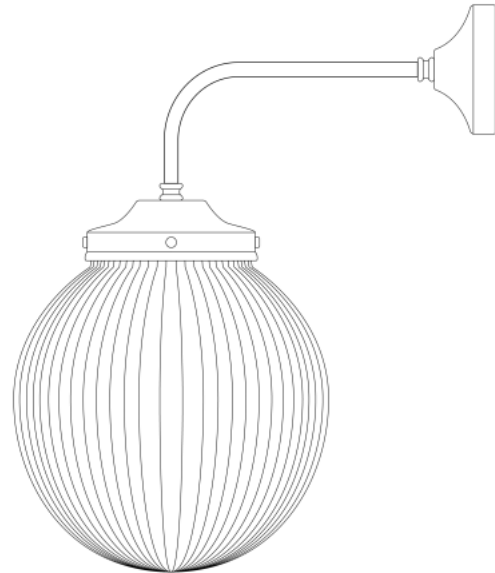


# STANLEY 20CM Wall Light

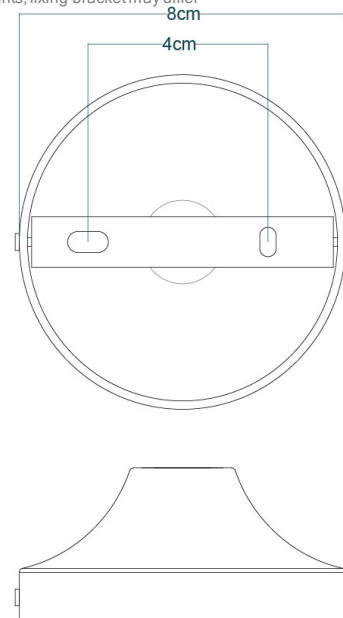
MLWL352ANTBRS    Antique Brass



MATERIAL	Brass   Glass
HEIGHT	36cm   14.17"
WIDTH   DIAMETER	20cm   7.87"
LENGTH   PROJECTION	30cm   11.81"
WEIGHT	0.89KG   1.96lbs
LAMPHOLDER	E27 or E26
MAX WATTAGE	40W x 1
VOLTAGE	220/240v or 110/120v
IP RATING	20
CLASS PROTECTION	I
SHADE	GL155
FLEX   BAR   CHAIN LENGT	n/a
CABLE TYPE	-

**Fixing Bracket MLWB03 | Antique Brass**

\*For UL wired lights, fixing bracket may differ

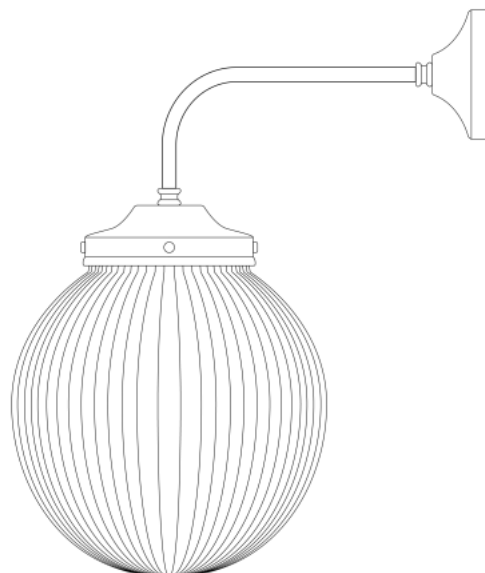


**Product Notes:**

1) Lamps not included with light fixture. 2) All products are individually hand crafted, therefore may differ slightly within manufacturing tolerances. 3) Please refer to: <http://www.mullanlighting.com/terms> for full list of Terms & Conditions. 4) Cable/Chain can be shortened during installation. 5) Longer Cable/Chain available on request. 6) Additional colour finishes available on request. 7.) Dimensions do not include lamps. 8.) Products wired to UL standards will operate at 110/120v with the appropriate lampholders.

# STANLEY 20CM Wall Light

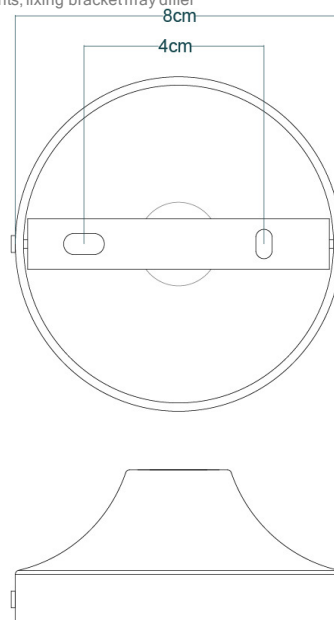
MLWL352ANTSLV    Antique Silver



MATERIAL	Brass   Glass
HEIGHT	36cm   14.17"
WIDTH   DIAMETER	20cm   7.87"
LENGTH   PROJECTION	30cm   11.81"
WEIGHT	0.89KG   1.96lbs
LAMPHOLDER	E27 or E26
MAX WATTAGE	40W x 1
VOLTAGE	220/240v or 110/120v
IP RATING	20
CLASS PROTECTION	I
SHADE	GL155
FLEX   BAR   CHAIN LENGT	n/a
CABLE TYPE	-

### Fixing Bracket MLWB03 | Antique Silver

\*For UL wired lights, fixing bracket may differ



#### Product Notes:

1) Lamps not included with light fixture. 2) All products are individually hand crafted, therefore may differ slightly within manufacturing tolerances. 3) Please refer to: <http://www.mullanlighting.com/terms> for full list of Terms & Conditions. 4) Cable/Chain can be shortened during installation. 5) Longer Cable/Chain available on request. 6) Additional colour finishes available on request. 7.) Dimensions do not include lamps. 8.) Products wired to UL standards will operate at 110/120v with the appropriate lampholders.

# STANLEY 20CM Wall Light

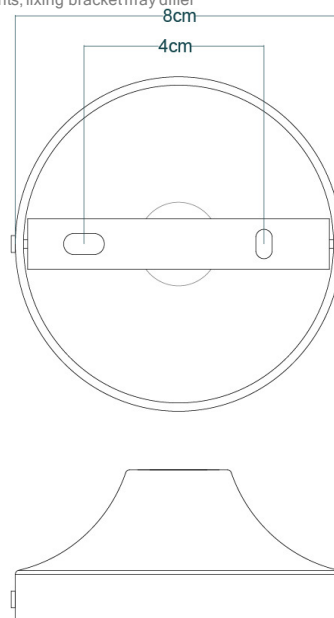
MLWL352POLBRS Polished Brass



MATERIAL	Brass   Glass
HEIGHT	36cm   14.17"
WIDTH   DIAMETER	20cm   7.87"
LENGTH   PROJECTION	30cm   11.81"
WEIGHT	0.89KG   1.96lbs
LAMPHOLDER	E27 or E26
MAX WATTAGE	40W x 1
VOLTAGE	220/240v or 110/120v
IP RATING	20
CLASS PROTECTION	I
SHADE	GL155
FLEX   BAR   CHAIN LENGT	n/a
CABLE TYPE	-

### Fixing Bracket MLWB03 | Polished Brass

\*For UL wired lights, fixing bracket may differ



**Product Notes:**

1) Lamps not included with light fixture. 2) All products are individually hand crafted, therefore may differ slightly within manufacturing tolerances. 3) Please refer to: <http://www.mullanlighting.com/terms> for full list of Terms & Conditions. 4) Cable/Chain can be shortened during installation. 5) Longer Cable/Chain available on request. 6) Additional colour finishes available on request. 7.) Dimensions do not include lamps. 8.) Products wired to UL standards will operate at 110/120v with the appropriate lampholders.

# STANLEY 20CM Wall Light

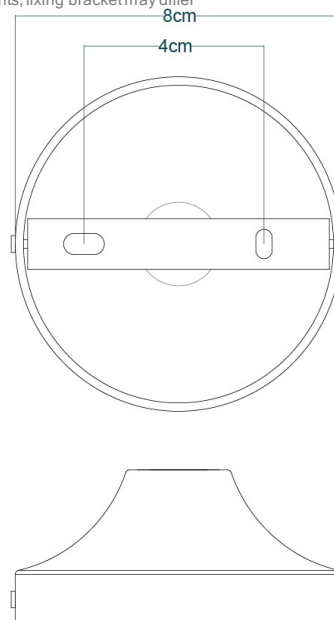
MLWL352SATBRS Satin Brass



MATERIAL	Brass   Glass
HEIGHT	36cm   14.17"
WIDTH   DIAMETER	20cm   7.87"
LENGTH   PROJECTION	30cm   11.81"
WEIGHT	0.89KG   1.96lbs
LAMPHOLDER	E27 or E26
MAX WATTAGE	40W x 1
VOLTAGE	220/240v or 110/120v
IP RATING	20
CLASS PROTECTION	I
SHADE	GL155
FLEX   BAR   CHAIN LENGT	n/a
CABLE TYPE	-

### Fixing Bracket MLWB03 | Satin Brass

\*For UL wired lights, fixing bracket may differ



**Product Notes:**

1) Lamps not included with light fixture. 2) All products are individually hand crafted, therefore may differ slightly within manufacturing tolerances. 3) Please refer to: <http://www.mullanlighting.com/terms> for full list of Terms & Conditions. 4) Cable/Chain can be shortened during installation. 5) Longer Cable/Chain available on request. 6) Additional colour finishes available on request. 7.) Dimensions do not include lamps. 8.) Products wired to UL standards will operate at 110/120v with the appropriate lampholders.