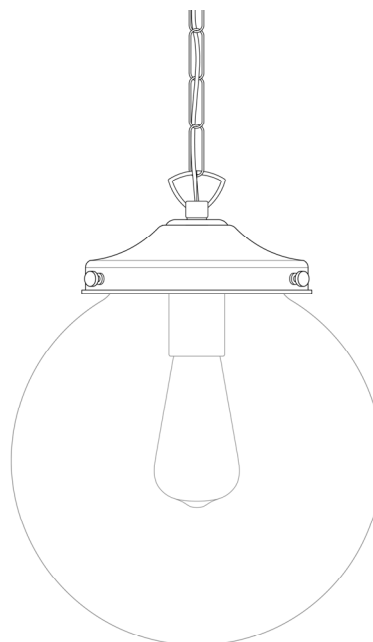


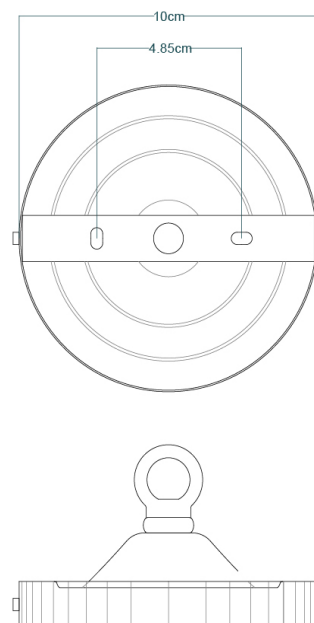
YEREVAN 20CM Pendant

MLP401ANTBRS Antique Brass



MATERIAL	Brass Glass
HEIGHT	26cm 10.24"
WIDTH DIAMETER	20cm 7.87"
LENGTH PROJECTION	n/a
WEIGHT	0.89KG 1.96lbs
LAMPHOLDER	E27 x 2
MAX WATTAGE	40W x 2
VOLTAGE	220/240v
IP RATING	20
CLASS PROTECTION	I
SHADE	GL044E
FLEX BAR CHAIN LENGT	100cm 40"
CABLE TYPE	MLCA010 2 Core Flat Brown PVC

Fixing Bracket MLROSE05HOOK | Antique Brass

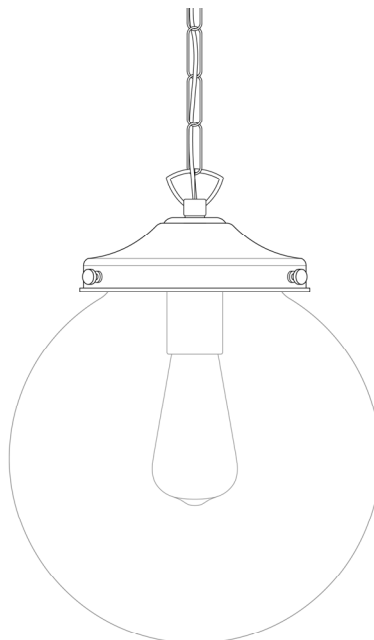


Product Notes:

1) Lamps not included with light fixture. 2) All products are individually hand crafted, therefore may differ slightly within manufacturing tolerances. 3) Please refer to: <http://www.mullanlighting.com/terms> for full list of Terms & Conditions. 4) Cable/Chain can be shortened during installation. 5) Longer Cable/Chain available on request. 6) Additional colour finishes available on request. 7.) Dimensions do not include lamps. 8.) Products wired to UL standards will operate at 110/120v with the appropriate lampholders.

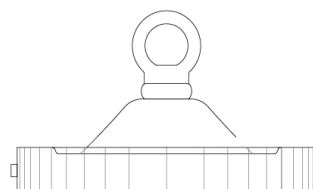
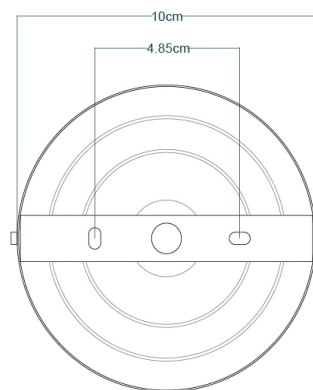
YEREVAN 20CM Pendant

MLP401ANTSLV Antique Silver



MATERIAL	Brass Glass
HEIGHT	26cm 10.24"
WIDTH DIAMETER	20cm 7.87"
LENGTH PROJECTION	n/a
WEIGHT	0.89KG 1.96lbs
LAMPHOLDER	E27 x 1
MAX WATTAGE	40W x 1
VOLTAGE	220/240v
IP RATING	20
CLASS PROTECTION	I
SHADE	GL044E
FLEX BAR CHAIN LENGT	100cm 40"
CABLE TYPE	MLCA014 2 Core Flat Clear PVC

Fixing Bracket MLROSE05H00K | Antique Silver

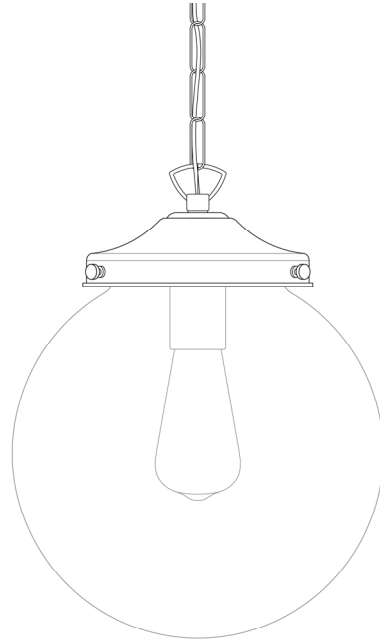


Product Notes:

1) Lamps not included with light fixture. 2) All products are individually hand crafted, therefore may differ slightly within manufacturing tolerances. 3) Please refer to: <http://www.mullanlighting.com/terms> for full list of Terms & Conditions. 4) Cable/Chain can be shortened during installation. 5) Longer Cable/Chain available on request. 6) Additional colour finishes available on request. 7.) Dimensions do not include lamps. 8.) Products wired to UL standards will operate at 110/120v with the appropriate lampholders.

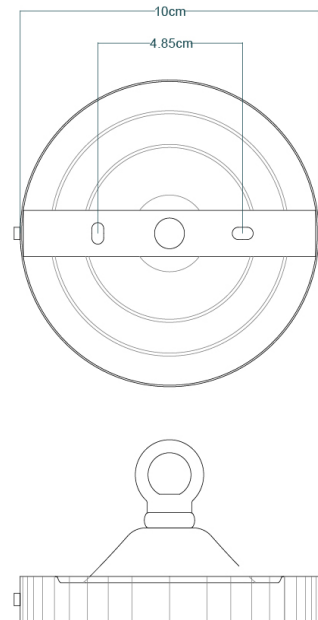
YEREVAN 20CM Pendant

MLP401POLBRS Polished Brass



MATERIAL	Brass Glass
HEIGHT	26cm 10.24"
WIDTH DIAMETER	20cm 7.87"
LENGTH PROJECTION	n/a
WEIGHT	0.89KG 1.96lbs
LAMPHOLDER	E27 x 1
MAX WATTAGE	40W x 1
VOLTAGE	220/240v
IP RATING	20
CLASS PROTECTION	I
SHADE	GL044E
FLEX BAR CHAIN LENGT	100cm 40"
CABLE TYPE	MLCA038 2 Core Flat Gold PVC

Fixing Bracket MLROSE05H00K | Polished Brass

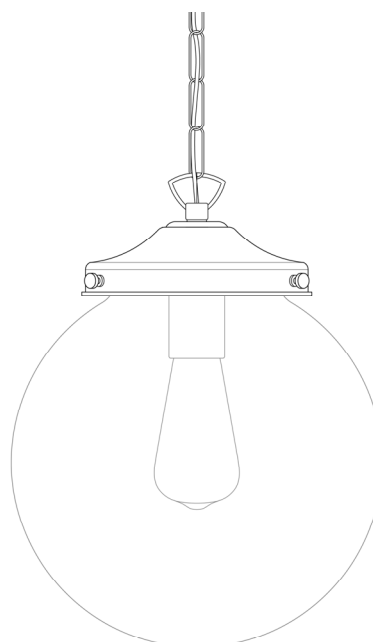


Product Notes:

1) Lamps not included with light fixture. 2) All products are individually hand crafted, therefore may differ slightly within manufacturing tolerances. 3) Please refer to: <http://www.mullanlighting.com/terms> for full list of Terms & Conditions. 4) Cable/Chain can be shortened during installation. 5) Longer Cable/Chain available on request. 6) Additional colour finishes available on request. 7.) Dimensions do not include lamps. 8.) Products wired to UL standards will operate at 110/120v with the appropriate lampholders.

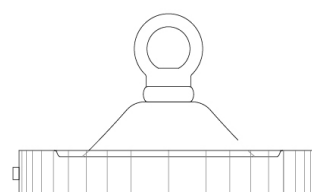
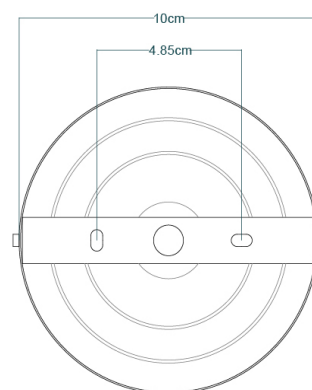
YEREVAN 20CM Pendant

MLP401POLCHR Polished Chrome



MATERIAL	Brass Glass
HEIGHT	26cm 10.24"
WIDTH DIAMETER	20cm 7.87"
LENGTH PROJECTION	n/a
WEIGHT	0.89KG 1.96lbs
LAMPHOLDER	E27 x 1
MAX WATTAGE	40W x 1
VOLTAGE	220/240v
IP RATING	20
CLASS PROTECTION	I
SHADE	GL044E
FLEX BAR CHAIN LENGT	100cm 40"
CABLE TYPE	MLCA014 2 Core Flat Clear PVC

Fixing Bracket MLROSE05H00K | Polished Chrome

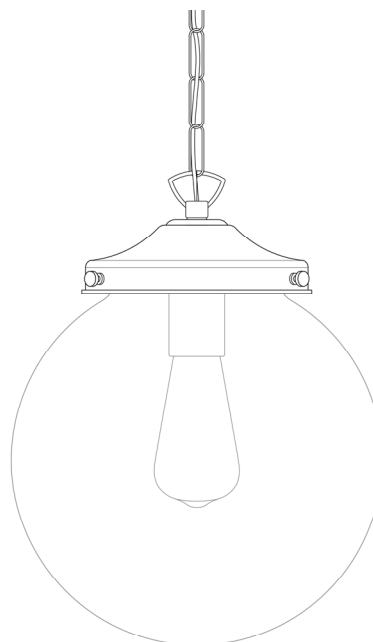


Product Notes:

1) Lamps not included with light fixture. 2) All products are individually hand crafted, therefore may differ slightly within manufacturing tolerances. 3) Please refer to: <http://www.mullanlighting.com/terms> for full list of Terms & Conditions. 4) Cable/Chain can be shortened during installation. 5) Longer Cable/Chain available on request. 6) Additional colour finishes available on request. 7.) Dimensions do not include lamps. 8.) Products wired to UL standards will operate at 110/120v with the appropriate lampholders.

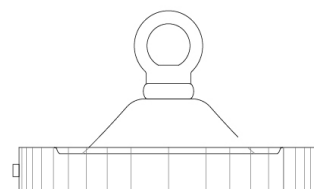
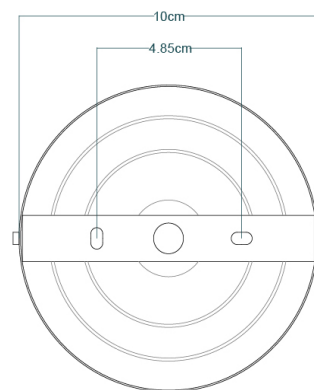
YEREVAN 20CM Pendant

MLP401SATBRS Satin Brass



MATERIAL	Brass Glass
HEIGHT	26cm 10.24"
WIDTH DIAMETER	20cm 7.87"
LENGTH PROJECTION	n/a
WEIGHT	0.89KG 1.96lbs
LAMPHOLDER	E27 x 1
MAX WATTAGE	40W x 1
VOLTAGE	220/240v
IP RATING	20
CLASS PROTECTION	I
SHADE	GL044E
FLEX BAR CHAIN LENGT	100cm 40"
CABLE TYPE	MLCA038 2 Core Flat Gold PVC

Fixing Bracket MLROSE05H00K | Satin Brass

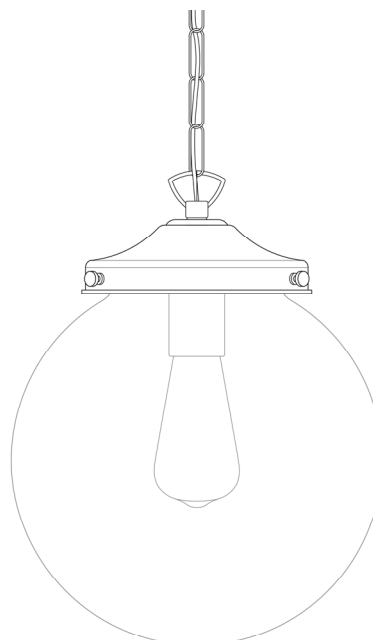


Product Notes:

1) Lamps not included with light fixture. 2) All products are individually hand crafted, therefore may differ slightly within manufacturing tolerances. 3) Please refer to: <http://www.mullanlighting.com/terms> for full list of Terms & Conditions. 4) Cable/Chain can be shortened during installation. 5) Longer Cable/Chain available on request. 6) Additional colour finishes available on request. 7.) Dimensions do not include lamps. 8.) Products wired to UL standards will operate at 110/120v with the appropriate lampholders.

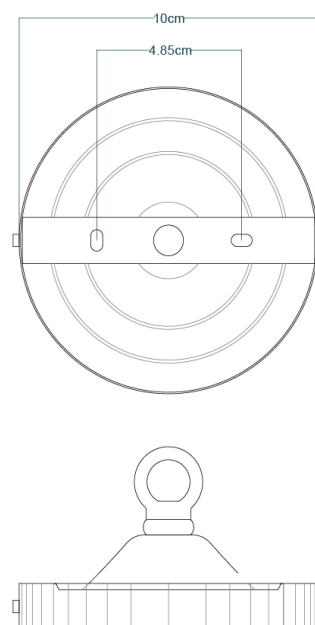
YEREVAN 20CM Pendant

MLP401SATCHR Satin Chrome



MATERIAL	Brass Glass
HEIGHT	26cm 10.24"
WIDTH DIAMETER	20cm 7.87"
LENGTH PROJECTION	n/a
WEIGHT	0.89KG 1.96lbs
LAMPHOLDER	E27 x 1
MAX WATTAGE	40W x 1
VOLTAGE	220/240v
IP RATING	20
CLASS PROTECTION	I
SHADE	GL044E
FLEX BAR CHAIN LENGT	100cm 40"
CABLE TYPE	MLCA014 2 Core Flat Clear PVC

Fixing Bracket MLROSE05H00K | Satin Chrome



Product Notes:

1) Lamps not included with light fixture. 2) All products are individually hand crafted, therefore may differ slightly within manufacturing tolerances. 3) Please refer to: <http://www.mullanlighting.com/terms> for full list of Terms & Conditions. 4) Cable/Chain can be shortened during installation. 5) Longer Cable/Chain available on request. 6) Additional colour finishes available on request. 7.) Dimensions do not include lamps. 8.) Products wired to UL standards will operate at 110/120v with the appropriate lampholders.