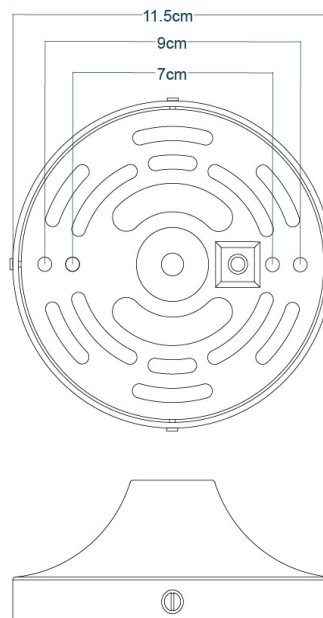




MATERIAL	BRASS GLASS
HEIGHT	125cm 49.21"
WIDTH DIAMETER	110cm 43.31"
LENGTH PROJECTION	n/a
WEIGHT	19.3KG 42.55lbs
LAMPHOLDER	E27 x 11
MAX WATTAGE	40W x 11
VOLTAGE	220/240v
IP RATING	20
CLASS PROTECTION	I
SHADE	GL131
FLEX BAR CHAIN LENGT	n/a
CABLE TYPE	MLCA009

Fixing Bracket MLWB12 | Antique Brass



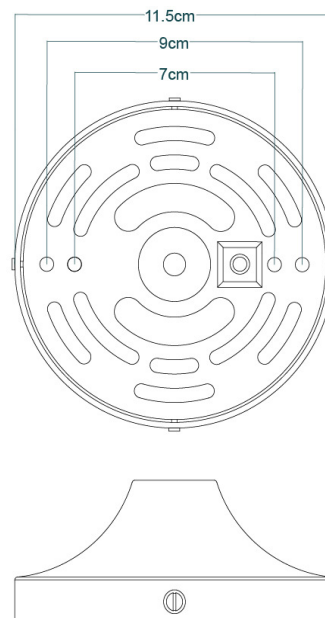
Product Notes:

1) Lamps not included with light fixture. 2) All products are individually hand crafted, therefore may differ slightly within manufacturing tolerances. 3) Please refer to: <http://www.mullanlighting.com/terms> for full list of Terms & Conditions. 4) Cable/Chain can be shortened during installation. 5) Longer Cable/Chain available on request. 6) Additional colour finishes available on request. 7) Dimensions do not include lamps. 8.) Products wired to UL standards will operate at 110/120v with the appropriate lampholders.



MATERIAL	BRASS GLASS
HEIGHT	125cm 49.21"
WIDTH DIAMETER	110cm 43.31"
LENGTH PROJECTION	n/a
WEIGHT	19.3KG 42.55lbs
LAMPHOLDER	E27 x 11
MAX WATTAGE	40W x 11
VOLTAGE	220/240v
IP RATING	20
CLASS PROTECTION	I
SHADE	GL044E
FLEX BAR CHAIN LENGT	n/a
CABLE TYPE	MLCA009

Fixing Bracket MLWB12 |Antique Brass



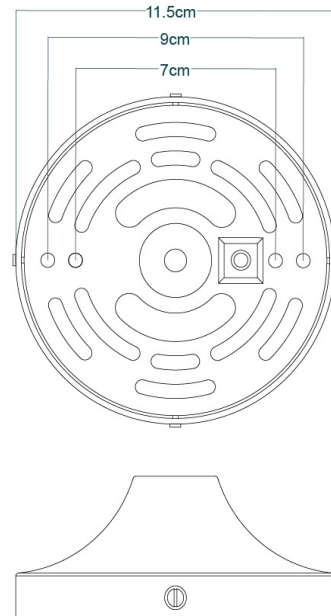
Product Notes:

1) Lamps not included with light fixture. 2) All products are individually hand crafted, therefore may differ slightly within manufacturing tolerances. 3) Please refer to: <http://www.mullanlighting.com/terms> for full list of Terms & Conditions. 4) Cable/Chain can be shortened during installation. 5) Longer Cable/Chain available on request. 6) Additional colour finishes available on request. 7.) Dimensions do not include lamps. 8.) Products wired to UL standards will operate at 110/120v with the appropriate lampholders.



MATERIAL	BRASS GLASS
HEIGHT	125cm 49.21"
WIDTH DIAMETER	110cm 43.31"
LENGTH PROJECTION	n/a
WEIGHT	19.3KG 42.55lbs
LAMPHOLDER	E27 x 11
MAX WATTAGE	40W x 11
VOLTAGE	220/240v
IP RATING	20
CLASS PROTECTION	I
SHADE	GL131
FLEX BAR CHAIN LENGT	n/a
CABLE TYPE	MLCA009

Fixing Bracket MLWB12 |Antique Silver



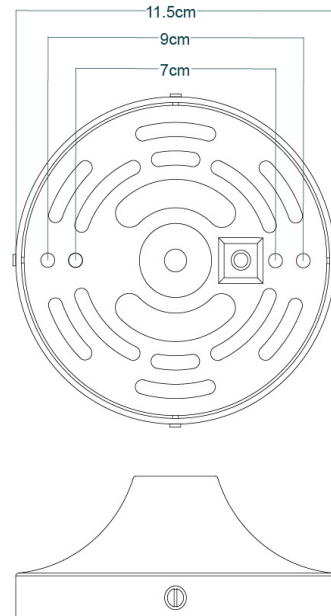
Product Notes:

1) Lamps not included with light fixture. 2) All products are individually hand crafted, therefore may differ slightly within manufacturing tolerances. 3) Please refer to: <http://www.mullanlighting.com/terms> for full list of Terms & Conditions. 4) Cable/Chain can be shortened during installation. 5) Longer Cable/Chain available on request. 6) Additional colour finishes available on request. 7.) Dimensions do not include lamps. 8.) Products wired to UL standards will operate at 110/120v with the appropriate lampholders.



MATERIAL	BRASS GLASS
HEIGHT	125cm 49.21"
WIDTH DIAMETER	110cm 43.31"
LENGTH PROJECTION	n/a
WEIGHT	19.3KG 42.55lbs
LAMPHOLDER	E27 x 11
MAX WATTAGE	40W x 11
VOLTAGE	220/240v
IP RATING	20
CLASS PROTECTION	I
SHADE	GL044E
FLEX BAR CHAIN LENGT	n/a
CABLE TYPE	MLCA009

Fixing Bracket MLWB12 |Antique Silver



Product Notes:

1) Lamps not included with light fixture. 2) All products are individually hand crafted, therefore may differ slightly within manufacturing tolerances. 3) Please refer to: <http://www.mullanlighting.com/terms> for full list of Terms & Conditions. 4) Cable/Chain can be shortened during installation. 5) Longer Cable/Chain available on request. 6) Additional colour finishes available on request. 7.) Dimensions do not include lamps. 8.) Products wired to UL standards will operate at 110/120v with the appropriate lampholders.



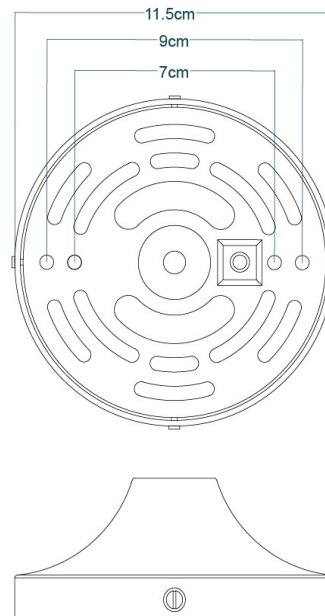
WILMOT Chandelier

MLF314POLBRSCS Polished Brass



MATERIAL	BRASS GLASS
HEIGHT	125cm 49.21"
WIDTH DIAMETER	110cm 43.31"
LENGTH PROJECTION	n/a
WEIGHT	19.3KG 42.55lbs
LAMPHOLDER	E27 x 11
MAX WATTAGE	40W x 11
VOLTAGE	220/240v
IP RATING	20
CLASS PROTECTION	I
SHADE	GL131
FLEX BAR CHAIN LENGT	n/a
CABLE TYPE	MLCA009

Fixing Bracket MLWB12 | Polished Brass



www.mullanlighting.com

Product Notes:

1) Lamps not included with light fixture. 2) All products are individually hand crafted, therefore may differ slightly within manufacturing tolerances. 3) Please refer to: <http://www.mullanlighting.com/terms> for full list of Terms & Conditions. 4) Cable/Chain can be shortened during installation. 5) Longer Cable/Chain available on request. 6) Additional colour finishes available on request. 7.) Dimensions do not include lamps. 8.) Products wired to UL standards will operate at 110/120v with the appropriate lampholders.





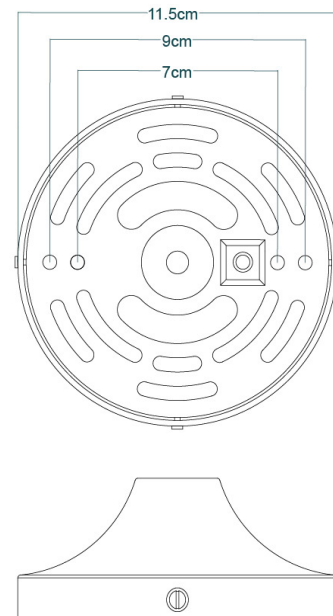
WILMOT Chandelier

MLF314POLBRSOP Polished Brass



MATERIAL	BRASS GLASS
HEIGHT	125cm 49.21"
WIDTH DIAMETER	110cm 43.31"
LENGTH PROJECTION	n/a
WEIGHT	19.3KG 42.55lbs
LAMPHOLDER	E27 x 11
MAX WATTAGE	40W x 11
VOLTAGE	220/240v
IP RATING	20
CLASS PROTECTION	I
SHADE	GL044E
FLEX BAR CHAIN LENGT	n/a
CABLE TYPE	MLCA009

Fixing Bracket MLWB12 | Polished Brass



www.mullanlighting.com

Product Notes:

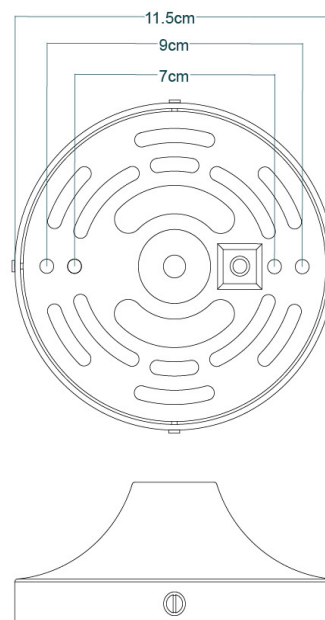
1) Lamps not included with light fixture. 2) All products are individually hand crafted, therefore may differ slightly within manufacturing tolerances. 3) Please refer to: <http://www.mullanlighting.com/terms> for full list of Terms & Conditions. 4) Cable/Chain can be shortened during installation. 5) Longer Cable/Chain available on request. 6) Additional colour finishes available on request. 7.) Dimensions do not include lamps. 8.) Products wired to UL standards will operate at 110/120v with the appropriate lampholders.





MATERIAL	BRASS GLASS
HEIGHT	125cm 49.21"
WIDTH DIAMETER	110cm 43.31"
LENGTH PROJECTION	n/a
WEIGHT	19.3KG 42.55lbs
LAMPHOLDER	E27 x 11
MAX WATTAGE	40W x 11
VOLTAGE	220/240v
IP RATING	20
CLASS PROTECTION	I
SHADE	GL131
FLEX BAR CHAIN LENGT	n/a
CABLE TYPE	MLCA009

Fixing Bracket MLWB12 | Satin Brass



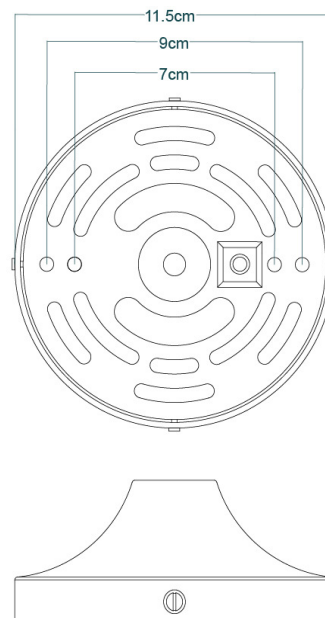
Product Notes:

1) Lamps not included with light fixture. 2) All products are individually hand crafted, therefore may differ slightly within manufacturing tolerances. 3) Please refer to: <http://www.mullanlighting.com/terms> for full list of Terms & Conditions. 4) Cable/Chain can be shortened during installation. 5) Longer Cable/Chain available on request. 6) Additional colour finishes available on request. 7.) Dimensions do not include lamps. 8.) Products wired to UL standards will operate at 110/120v with the appropriate lampholders.



MATERIAL	BRASS GLASS
HEIGHT	125cm 49.21"
WIDTH DIAMETER	110cm 43.31"
LENGTH PROJECTION	n/a
WEIGHT	19.3KG 42.55lbs
LAMPHOLDER	E27 x 11
MAX WATTAGE	40W x 11
VOLTAGE	220/240v
IP RATING	20
CLASS PROTECTION	I
SHADE	GL044E
FLEX BAR CHAIN LENGT	n/a
CABLE TYPE	MLCA009

Fixing Bracket MLWB12 | Satin Brass



Product Notes:

1) Lamps not included with light fixture. 2) All products are individually hand crafted, therefore may differ slightly within manufacturing tolerances. 3) Please refer to: <http://www.mullanlighting.com/terms> for full list of Terms & Conditions. 4) Cable/Chain can be shortened during installation. 5) Longer Cable/Chain available on request. 6) Additional colour finishes available on request. 7.) Dimensions do not include lamps. 8.) Products wired to UL standards will operate at 110/120v with the appropriate lampholders.