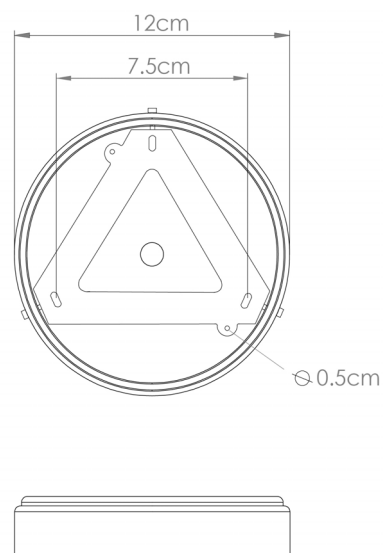




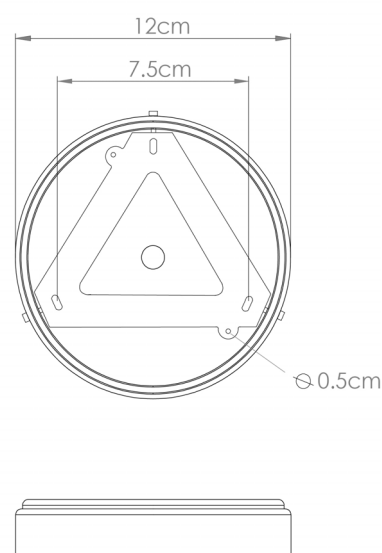
MATERIAL	Brass & Steel & Glass
HEIGHT	70cm 27.56"
WIDTH DIAMETER	75cm 29.53"
LENGTH PROJECTION	n/a
WEIGHT	5.5KG
LAMPHOLDER	E14 x 8
MAX WATTAGE	5w x 8
VOLTAGE	220/240v
IP RATING	20
CLASS PROTECTION	I
SHADE	GL044F
FLEX BAR CHAIN LENGT	100cm 40"
CABLE TYPE	MLCA009

 Fixing Bracket **MLWB17**

Product Notes:

1) Lamps not included with light fixture. 2) All products are individually hand crafted, therefore may differ slightly within manufacturing tolerances. 3) Please refer to: <http://www.mullanlighting.com/terms> for full list of Terms & Conditions. 4) Cable/Chain can be shortened during installation. 5) Longer Cable/Chain available on request. 6) Additional colour finishes available on request. 7.) Dimensions do not include lamps. 8.) Products wired to UL standards will operate at 110/120v with the appropriate lampholders.



MATERIAL	Brass & Steel & Glass
HEIGHT	70cm 27.56"
WIDTH DIAMETER	75cm 29.53"
LENGTH PROJECTION	n/a
WEIGHT	5.5KG
LAMPHOLDER	E14 x 8
MAX WATTAGE	5w x 8
VOLTAGE	220/240v
IP RATING	20
CLASS PROTECTION	I
SHADE	GL044F
FLEX BAR CHAIN LENGT	100cm 40"
CABLE TYPE	MLCA009

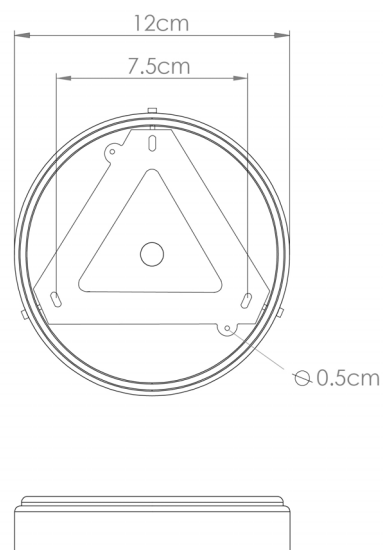
 Fixing Bracket **MLWB17**

Product Notes:

1) Lamps not included with light fixture. 2) All products are individually hand crafted, therefore may differ slightly within manufacturing tolerances. 3) Please refer to: <http://www.mullanlighting.com/terms> for full list of Terms & Conditions. 4) Cable/Chain can be shortened during installation. 5) Longer Cable/Chain available on request. 6) Additional colour finishes available on request. 7.) Dimensions do not include lamps. 8.) Products wired to UL standards will operate at 110/120v with the appropriate lampholders.



MATERIAL	Brass & Steel & Glass
HEIGHT	70cm 27.56"
WIDTH DIAMETER	75cm 29.53"
LENGTH PROJECTION	n/a
WEIGHT	5.5KG
LAMPHOLDER	E14 x 8
MAX WATTAGE	5w x 8
VOLTAGE	220/240v
IP RATING	20
CLASS PROTECTION	I
SHADE	GL044F
FLEX BAR CHAIN LENGT	100cm 40"
CABLE TYPE	MLCA009

Fixing Bracket MLWB17



Product Notes:

1) Lamps not included with light fixture. 2) All products are individually hand crafted, therefore may differ slightly within manufacturing tolerances. 3) Please refer to: <http://www.mullanlighting.com/terms> for full list of Terms & Conditions. 4) Cable/Chain can be shortened during installation. 5) Longer Cable/Chain available on request. 6) Additional colour finishes available on request. 7.) Dimensions do not include lamps. 8.) Products wired to UL standards will operate at 110/120v with the appropriate lampholders.

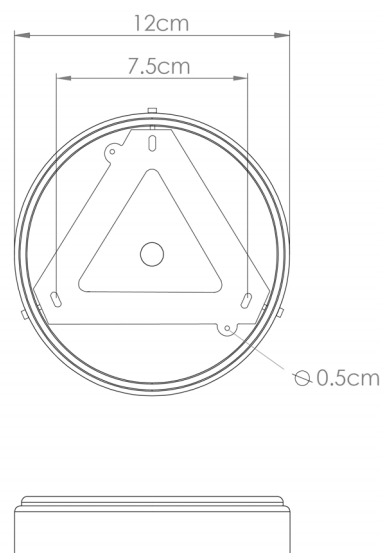
BRANFORD Chandelier

MLF339POLBRS Polished Brass



MATERIAL	Brass & Steel & Glass
HEIGHT	70cm 27.56"
WIDTH DIAMETER	75cm 29.53"
LENGTH PROJECTION	n/a
WEIGHT	5.5KG
LAMPHOLDER	E14 x 8
MAX WATTAGE	5w x 8
VOLTAGE	220/240v
IP RATING	20
CLASS PROTECTION	I
SHADE	GL044F
FLEX BAR CHAIN LENGT	100cm 40"
CABLE TYPE	MLCA009

Fixing Bracket MLWB17

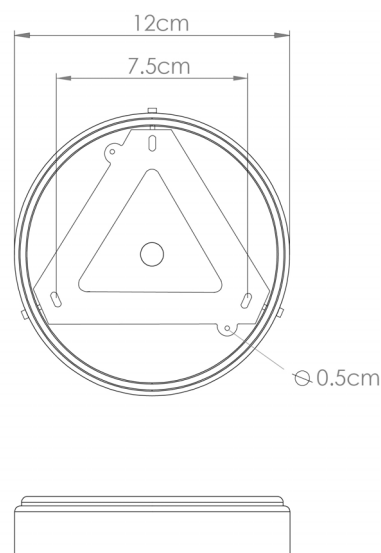


Product Notes:

1) Lamps not included with light fixture. 2) All products are individually hand crafted, therefore may differ slightly within manufacturing tolerances. 3) Please refer to: <http://www.mullanlighting.com/terms> for full list of Terms & Conditions. 4) Cable/Chain can be shortened during installation. 5) Longer Cable/Chain available on request. 6) Additional colour finishes available on request. 7.) Dimensions do not include lamps. 8.) Products wired to UL standards will operate at 110/120v with the appropriate lampholders.



MATERIAL	Brass Steel Glass
HEIGHT	70cm 27.56"
WIDTH DIAMETER	75cm 29.53"
LENGTH PROJECTION	n/a
WEIGHT	5.5KG
LAMPHOLDER	E14 x 8
MAX WATTAGE	5W x 8
VOLTAGE	220/240v
IP RATING	20
CLASS PROTECTION	I
SHADE	GL044F
FLEX BAR CHAIN LENGT	100cm 40"
CABLE TYPE	MLCA009

 Fixing Bracket **MLWB17**

Product Notes:

1) Lamps not included with light fixture. 2) All products are individually hand crafted, therefore may differ slightly within manufacturing tolerances. 3) Please refer to: <http://www.mullanlighting.com/terms> for full list of Terms & Conditions. 4) Cable/Chain can be shortened during installation. 5) Longer Cable/Chain available on request. 6) Additional colour finishes available on request. 7.) Dimensions do not include lamps. 8.) Products wired to UL standards will operate at 110/120v with the appropriate lampholders.