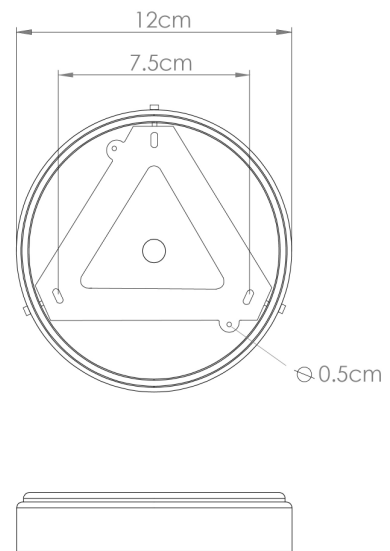


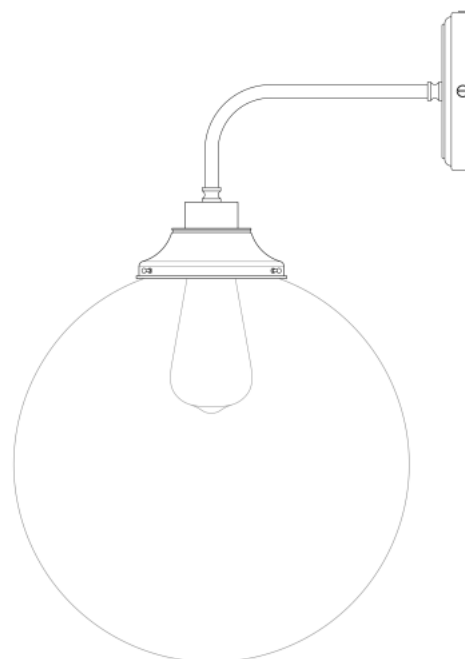
MATERIAL	Brass   Glass
HEIGHT	50cm   19.69"
WIDTH   DIAMETER	30cm   11.81"
LENGTH   PROJECTION	42cm   16.54"
WEIGHT	2.1KG   4.63lbs
LAMPHOLDER	E27 x 1
MAX WATTAGE	40W x 1
VOLTAGE	220/240v
IP RATING	44
CLASS PROTECTION	II
SHADE	GL044C
FLEX   BAR   CHAIN LENGT	n/a
CABLE TYPE	-

Fixing Bracket MLWB17 | Antique Brass



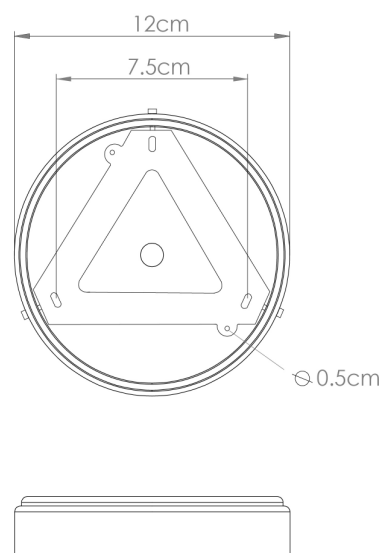
Product Notes:

1) Lamps not included with light fixture. 2) All products are individually hand crafted, therefore may differ slightly within manufacturing tolerances. 3) Please refer to: <http://www.mullanlighting.com/terms> for full list of Terms & Conditions. 4) Cable/Chain can be shortened during installation. 5) Longer Cable/Chain available on request. 6) Additional colour finishes available on request. 7.) Dimensions do not include lamps. 8.) Products wired to UL standards will operate at 110/120v with the appropriate lampholders.



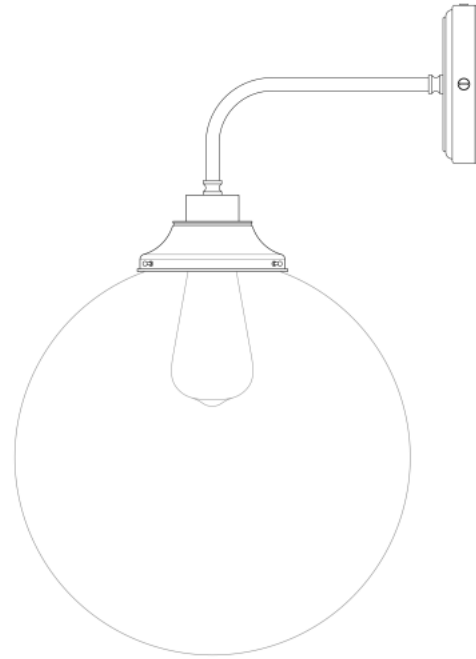
MATERIAL	Brass   Glass
HEIGHT	50cm   19.69"
WIDTH   DIAMETER	30cm   11.81"
LENGTH   PROJECTION	42cm   16.54"
WEIGHT	2.1KG   4.63lbs
LAMPHOLDER	E27 x 1
MAX WATTAGE	40W x 1
VOLTAGE	220/240v
IP RATING	44
CLASS PROTECTION	II
SHADE	GL044C
FLEX   BAR   CHAIN LENGT	n/a
CABLE TYPE	-

Fixing Bracket MLWB17 | Antique Silver



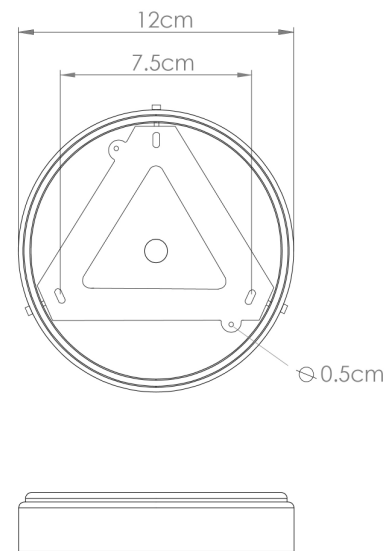
Product Notes:

1) Lamps not included with light fixture. 2) All products are individually hand crafted, therefore may differ slightly within manufacturing tolerances. 3) Please refer to: <http://www.mullanlighting.com/terms> for full list of Terms & Conditions. 4) Cable/Chain can be shortened during installation. 5) Longer Cable/Chain available on request. 6) Additional colour finishes available on request. 7.) Dimensions do not include lamps. 8.) Products wired to UL standards will operate at 110/120v with the appropriate lampholders.



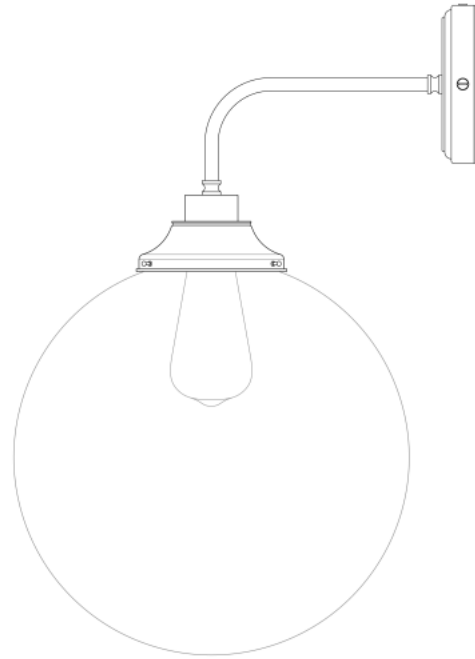
MATERIAL	Brass   Glass
HEIGHT	50cm   19.69"
WIDTH   DIAMETER	30cm   11.81"
LENGTH   PROJECTION	42cm   16.54"
WEIGHT	2.1KG   4.63lbs
LAMPHOLDER	E27 x 1
MAX WATTAGE	40W x 1
VOLTAGE	220/240v
IP RATING	44
CLASS PROTECTION	II
SHADE	GL044C
FLEX   BAR   CHAIN LENGT	n/a
CABLE TYPE	-

Fixing Bracket MLWB17 | Natural Brass



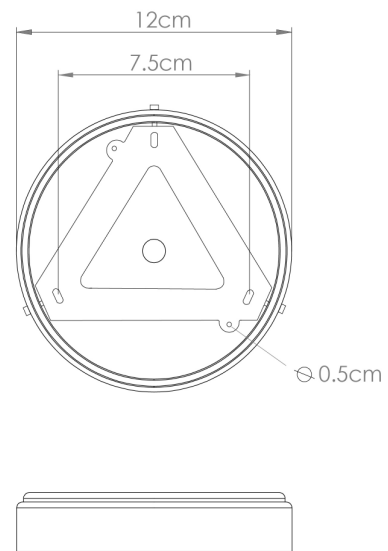
Product Notes:

1) Lamps not included with light fixture. 2) All products are individually hand crafted, therefore may differ slightly within manufacturing tolerances. 3) Please refer to: <http://www.mullanlighting.com/terms> for full list of Terms & Conditions. 4) Cable/Chain can be shortened during installation. 5) Longer Cable/Chain available on request. 6) Additional colour finishes available on request. 7.) Dimensions do not include lamps. 8.) Products wired to UL standards will operate at 110/120v with the appropriate lampholders.



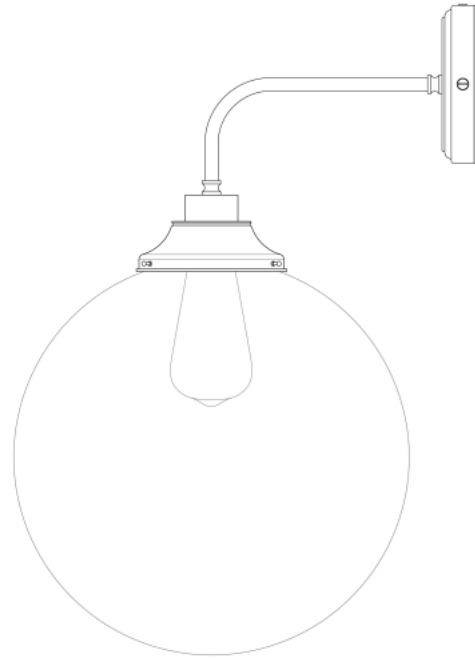
MATERIAL	Brass   Glass
HEIGHT	50cm   19.69"
WIDTH   DIAMETER	30cm   11.81"
LENGTH   PROJECTION	42cm   16.54"
WEIGHT	2.1KG   4.63lbs
LAMPHOLDER	E27 x 1
MAX WATTAGE	40W x 1
VOLTAGE	220/240v
IP RATING	44
CLASS PROTECTION	II
SHADE	GL044C
FLEX   BAR   CHAIN LENGT	n/a
CABLE TYPE	-

Fixing Bracket MLWB17 | Matt Black



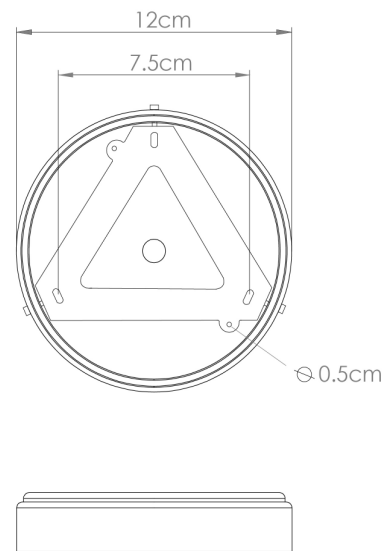
Product Notes:

1) Lamps not included with light fixture. 2) All products are individually hand crafted, therefore may differ slightly within manufacturing tolerances. 3) Please refer to: <http://www.mullanlighting.com/terms> for full list of Terms & Conditions. 4) Cable/Chain can be shortened during installation. 5) Longer Cable/Chain available on request. 6) Additional colour finishes available on request. 7.) Dimensions do not include lamps. 8.) Products wired to UL standards will operate at 110/120v with the appropriate lampholders.



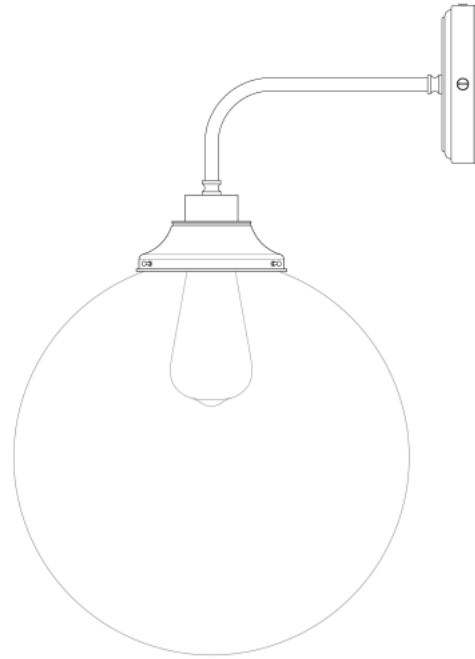
MATERIAL	Brass   Glass
HEIGHT	50cm   19.69"
WIDTH   DIAMETER	30cm   11.81"
LENGTH   PROJECTION	42cm   16.54"
WEIGHT	2.1KG   4.63lbs
LAMPHOLDER	E27 x 1
MAX WATTAGE	40W x 1
VOLTAGE	220/240v
IP RATING	44
CLASS PROTECTION	II
SHADE	GL044C
FLEX   BAR   CHAIN LENGT	n/a
CABLE TYPE	-

Fixing Bracket MLWB17 | White



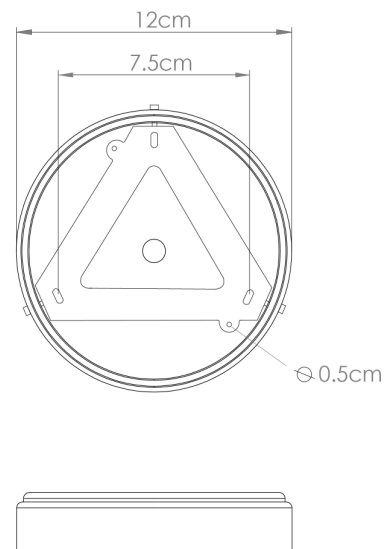
Product Notes:

1) Lamps not included with light fixture. 2) All products are individually hand crafted, therefore may differ slightly within manufacturing tolerances. 3) Please refer to: <http://www.mullanlighting.com/terms> for full list of Terms & Conditions. 4) Cable/Chain can be shortened during installation. 5) Longer Cable/Chain available on request. 6) Additional colour finishes available on request. 7.) Dimensions do not include lamps. 8.) Products wired to UL standards will operate at 110/120v with the appropriate lampholders.



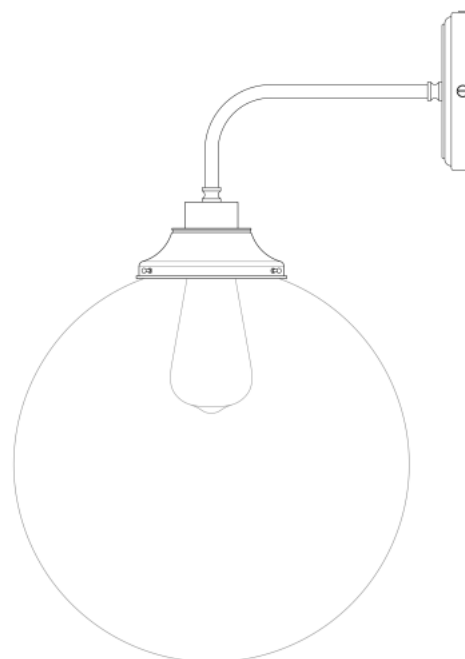
MATERIAL	Brass   Glass
HEIGHT	50cm   19.69"
WIDTH   DIAMETER	30cm   11.81"
LENGTH   PROJECTION	42cm   16.54"
WEIGHT	2.1KG   4.63lbs
LAMPHOLDER	E27 x 1
MAX WATTAGE	40W x 1
VOLTAGE	220/240v
IP RATING	44
CLASS PROTECTION	II
SHADE	GL044C
FLEX   BAR   CHAIN LENGT	n/a
CABLE TYPE	-

Fixing Bracket MLWB17 | Polished Brass



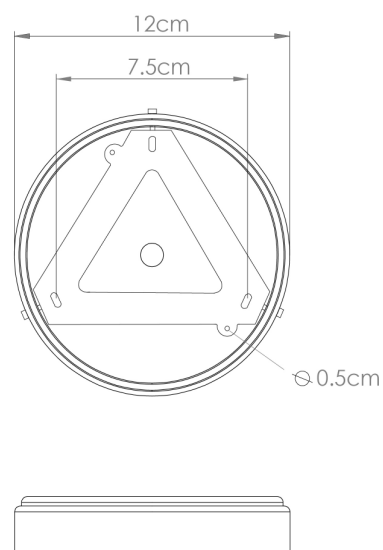
Product Notes:

1) Lamps not included with light fixture. 2) All products are individually hand crafted, therefore may differ slightly within manufacturing tolerances. 3) Please refer to: <http://www.mullanlighting.com/terms> for full list of Terms & Conditions. 4) Cable/Chain can be shortened during installation. 5) Longer Cable/Chain available on request. 6) Additional colour finishes available on request. 7.) Dimensions do not include lamps. 8.) Products wired to UL standards will operate at 110/120v with the appropriate lampholders.



MATERIAL	Brass   Glass
HEIGHT	50cm   19.69"
WIDTH   DIAMETER	30cm   11.81"
LENGTH   PROJECTION	42cm   16.54"
WEIGHT	2.1KG   4.63lbs
LAMPHOLDER	E27 x 1
MAX WATTAGE	40W x 1
VOLTAGE	220/240v
IP RATING	44
CLASS PROTECTION	II
SHADE	GL044C
FLEX   BAR   CHAIN LENGT	n/a
CABLE TYPE	-

Fixing Bracket MLWB17 | Satin Brass



Product Notes:

1) Lamps not included with light fixture. 2) All products are individually hand crafted, therefore may differ slightly within manufacturing tolerances. 3) Please refer to: <http://www.mullanlighting.com/terms> for full list of Terms & Conditions. 4) Cable/Chain can be shortened during installation. 5) Longer Cable/Chain available on request. 6) Additional colour finishes available on request. 7.) Dimensions do not include lamps. 8.) Products wired to UL standards will operate at 110/120v with the appropriate lampholders.