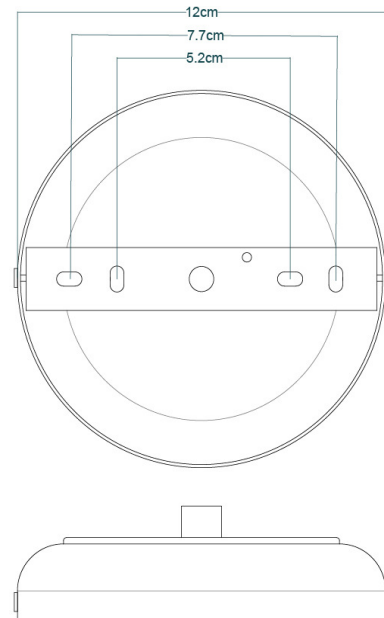


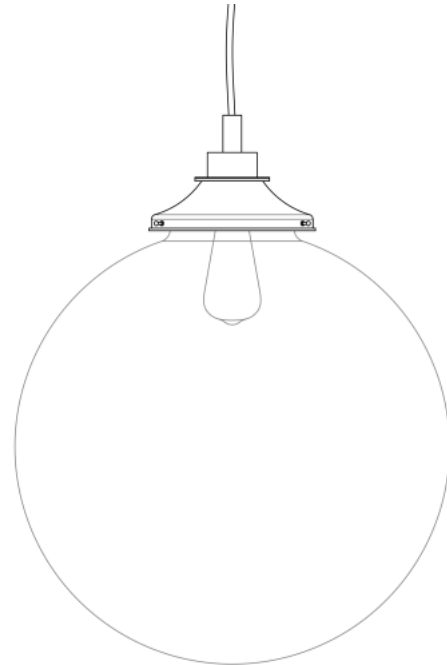
MATERIAL	Brass   Glass
HEIGHT	44.5cm   17.52"
WIDTH   DIAMETER	35cm   13.78"
LENGTH   PROJECTION	n/a
WEIGHT	2.77KG   6.11lbs
LAMPHOLDER	E27 x 1
MAX WATTAGE	40W x 1
VOLTAGE	220/240v
IP RATING	44
CLASS PROTECTION	II
SHADE	GL137
FLEX   BAR   CHAIN LENGT	100cm   40"
CABLE TYPE	MLOCA001   2 Core Round   Brown Braid   Rubber

Fixing Bracket MLROSE31 | Antique Brass



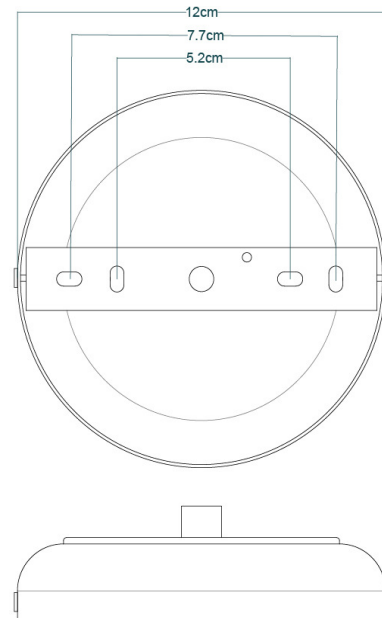
Product Notes:

1) Lamps not included with light fixture. 2) All products are individually hand crafted, therefore may differ slightly within manufacturing tolerances. 3) Please refer to: <http://www.mullanlighting.com/terms> for full list of Terms & Conditions. 4) Cable/Chain can be shortened during installation. 5) Longer Cable/Chain available on request. 6) Additional colour finishes available on request. 7.) Dimensions do not include lamps. 8.) Products wired to UL standards will operate at 110/120v with the appropriate lampholders.



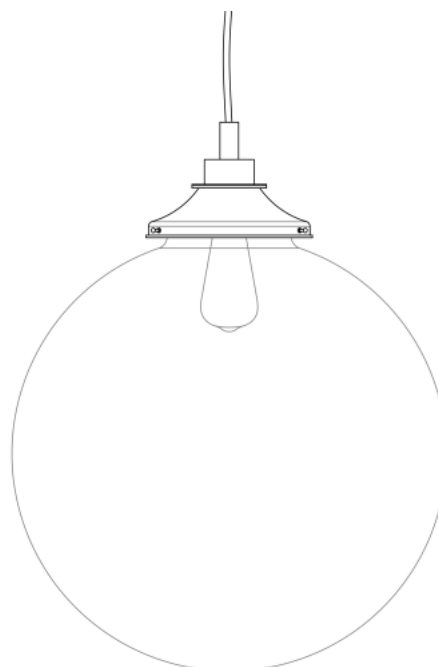
MATERIAL	Brass   Glass
HEIGHT	44.5cm   17.52"
WIDTH   DIAMETER	35cm   13.78"
LENGTH   PROJECTION	n/a
WEIGHT	2.77KG   6.11lbs
LAMPHOLDER	E27 x 1
MAX WATTAGE	40W x 1
VOLTAGE	220/240v
IP RATING	44
CLASS PROTECTION	II
SHADE	GL137
FLEX   BAR   CHAIN LENGT	100cm   40"
CABLE TYPE	MLOCA002   2 Core Round   Black Braid   Rubber

Fixing Bracket MLROSE31 | Antique Silver



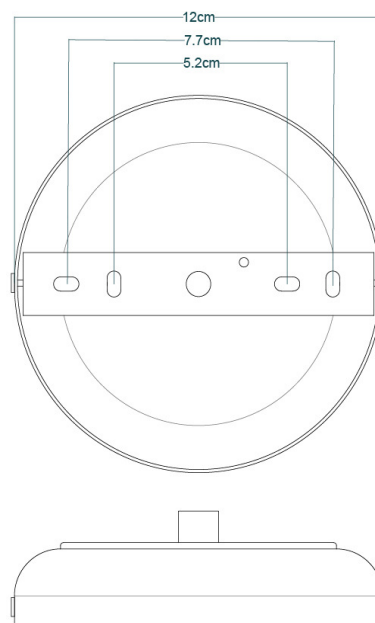
Product Notes:

1) Lamps not included with light fixture. 2) All products are individually hand crafted, therefore may differ slightly within manufacturing tolerances. 3) Please refer to: <http://www.mullanlighting.com/terms> for full list of Terms & Conditions. 4) Cable/Chain can be shortened during installation. 5) Longer Cable/Chain available on request. 6) Additional colour finishes available on request. 7.) Dimensions do not include lamps. 8.) Products wired to UL standards will operate at 110/120v with the appropriate lampholders.



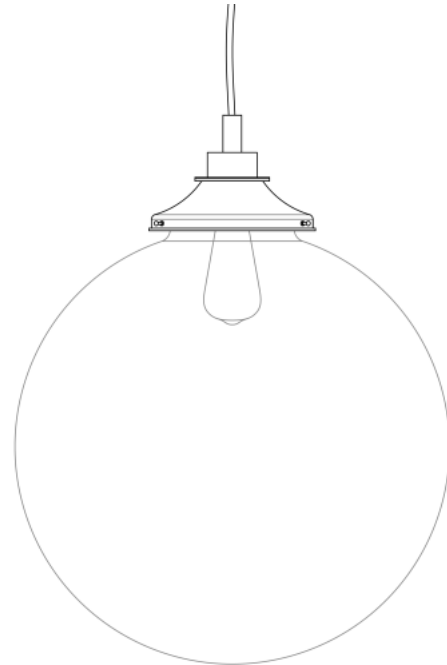
MATERIAL	Brass   Glass
HEIGHT	44.5cm   17.52"
WIDTH   DIAMETER	35cm   13.78"
LENGTH   PROJECTION	n/a
WEIGHT	2.77KG   6.11lbs
LAMPHOLDER	E27 x 1
MAX WATTAGE	40W x 1
VOLTAGE	220/240v
IP RATING	44
CLASS PROTECTION	II
SHADE	GL137
FLEX   BAR   CHAIN LENGT	100cm   40"
CABLE TYPE	MLOCA002   2 Core Round   Black Braid   Rubber

Fixing Bracket MLROSE31 | Natural Brass



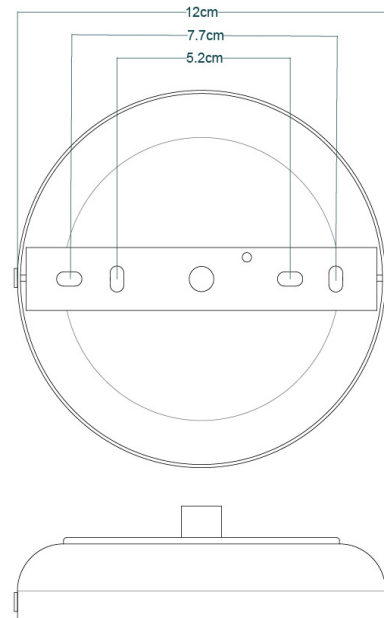
Product Notes:

1) Lamps not included with light fixture. 2) All products are individually hand crafted, therefore may differ slightly within manufacturing tolerances. 3) Please refer to: <http://www.mullanlighting.com/terms> for full list of Terms & Conditions. 4) Cable/Chain can be shortened during installation. 5) Longer Cable/Chain available on request. 6) Additional colour finishes available on request. 7.) Dimensions do not include lamps. 8.) Products wired to UL standards will operate at 110/120v with the appropriate lampholders.



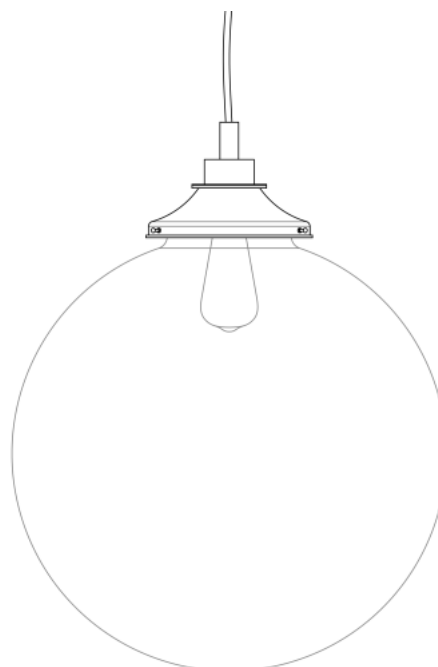
MATERIAL	Brass   Glass
HEIGHT	44.5cm   17.52"
WIDTH   DIAMETER	35cm   13.78"
LENGTH   PROJECTION	n/a
WEIGHT	2.77KG   6.11lbs
LAMPHOLDER	E27 x 1
MAX WATTAGE	40W x 1
VOLTAGE	220/240v
IP RATING	44
CLASS PROTECTION	II
SHADE	GL137
FLEX   BAR   CHAIN LENGT	100cm   40"
CABLE TYPE	MLOCA002   2 Core Round   Black Braid   Rubber

Fixing Bracket MLROSE31 | Matt Black



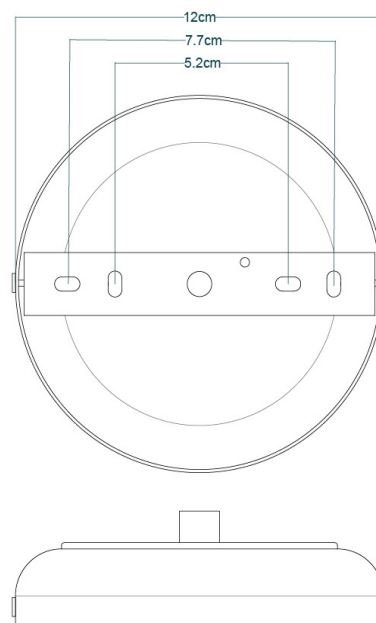
Product Notes:

1) Lamps not included with light fixture. 2) All products are individually hand crafted, therefore may differ slightly within manufacturing tolerances. 3) Please refer to: <http://www.mullanlighting.com/terms> for full list of Terms & Conditions. 4) Cable/Chain can be shortened during installation. 5) Longer Cable/Chain available on request. 6) Additional colour finishes available on request. 7.) Dimensions do not include lamps. 8.) Products wired to UL standards will operate at 110/120v with the appropriate lampholders.



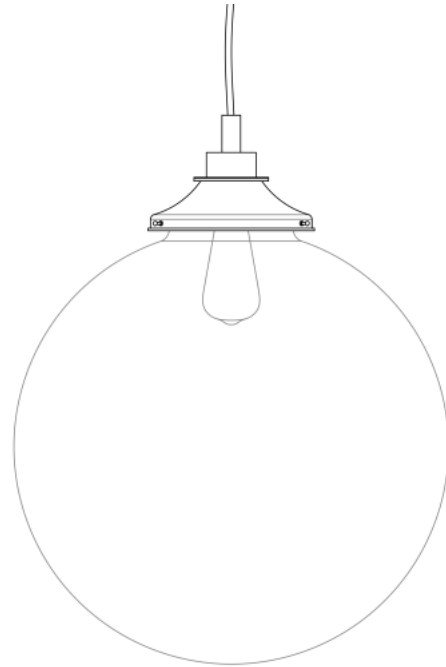
MATERIAL	Brass   Glass
HEIGHT	44.5cm   17.52"
WIDTH   DIAMETER	35cm   13.78"
LENGTH   PROJECTION	n/a
WEIGHT	2.77KG   6.11lbs
LAMPHOLDER	E27 x 1
MAX WATTAGE	40W x 1
VOLTAGE	220/240v
IP RATING	44
CLASS PROTECTION	II
SHADE	GL137
FLEX   BAR   CHAIN LENGT	100cm   40"
CABLE TYPE	MLOCA002   2 Core Round   Black Braid   Rubber

Fixing Bracket MLROSE31 | White



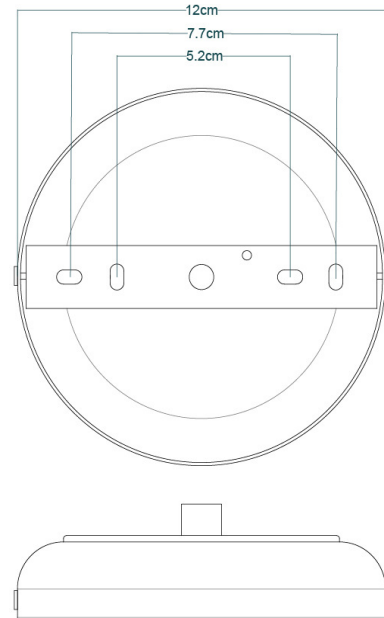
Product Notes:

1) Lamps not included with light fixture. 2) All products are individually hand crafted, therefore may differ slightly within manufacturing tolerances. 3) Please refer to: <http://www.mullanlighting.com/terms> for full list of Terms & Conditions. 4) Cable/Chain can be shortened during installation. 5) Longer Cable/Chain available on request. 6) Additional colour finishes available on request. 7.) Dimensions do not include lamps. 8.) Products wired to UL standards will operate at 110/120v with the appropriate lampholders.



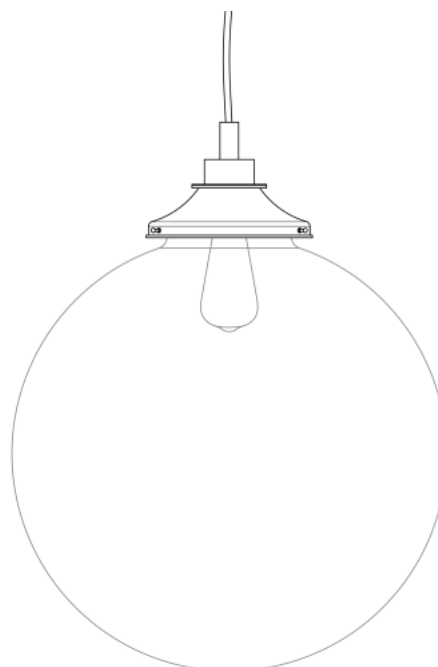
MATERIAL	Brass   Glass
HEIGHT	44.5cm   17.52"
WIDTH   DIAMETER	35cm   13.78"
LENGTH   PROJECTION	n/a
WEIGHT	2.77KG   6.11lbs
LAMPHOLDER	E27 x 1
MAX WATTAGE	40W x 1
VOLTAGE	220/240v
IP RATING	44
CLASS PROTECTION	II
SHADE	GL137
FLEX   BAR   CHAIN LENGT	100cm   40"
CABLE TYPE	MLOCA002   2 Core Round   Black Braid   Rubber

Fixing Bracket MLROSE31 | Polished Brass



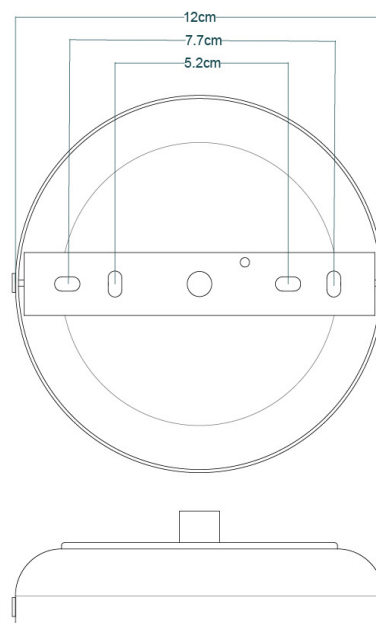
Product Notes:

1) Lamps not included with light fixture. 2) All products are individually hand crafted, therefore may differ slightly within manufacturing tolerances. 3) Please refer to: <http://www.mullanlighting.com/terms> for full list of Terms & Conditions. 4) Cable/Chain can be shortened during installation. 5) Longer Cable/Chain available on request. 6) Additional colour finishes available on request. 7.) Dimensions do not include lamps. 8.) Products wired to UL standards will operate at 110/120v with the appropriate lampholders.



MATERIAL	Brass   Glass
HEIGHT	44.5cm   17.52"
WIDTH   DIAMETER	35cm   13.78"
LENGTH   PROJECTION	n/a
WEIGHT	2.77KG   6.11lbs
LAMPHOLDER	E27 x 1
MAX WATTAGE	40W x 1
VOLTAGE	220/240v
IP RATING	44
CLASS PROTECTION	II
SHADE	GL137
FLEX   BAR   CHAIN LENGT	100cm   40"
CABLE TYPE	MLOCA002   2 Core Round   Black Braid   Rubber

Fixing Bracket MLROSE31 | Satin Brass



Product Notes:

1) Lamps not included with light fixture. 2) All products are individually hand crafted, therefore may differ slightly within manufacturing tolerances. 3) Please refer to: <http://www.mullanlighting.com/terms> for full list of Terms & Conditions. 4) Cable/Chain can be shortened during installation. 5) Longer Cable/Chain available on request. 6) Additional colour finishes available on request. 7.) Dimensions do not include lamps. 8.) Products wired to UL standards will operate at 110/120v with the appropriate lampholders.