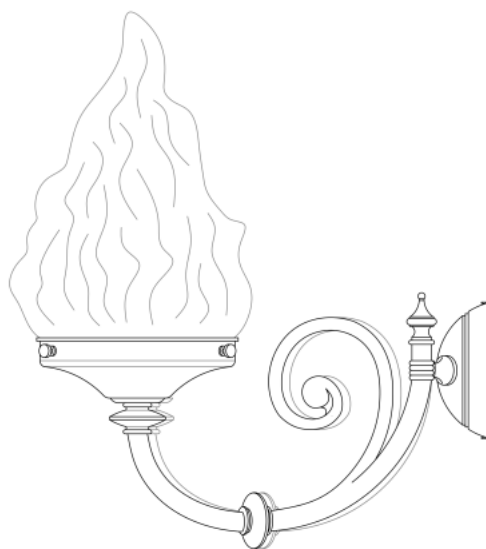


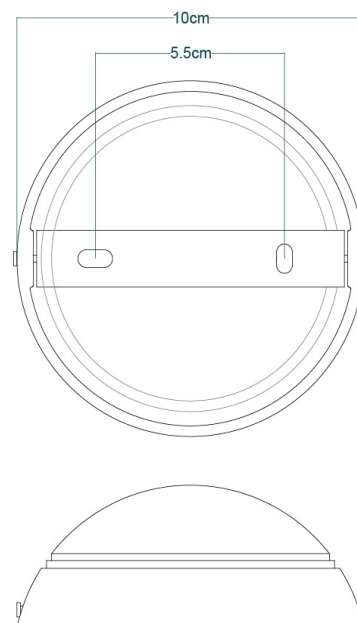
DARWIN Wall Light

MLWL355ANTBRS Antique Brass



MATERIAL	Brass Glass
HEIGHT	34cm 13.39"
WIDTH DIAMETER	43cm 16.93"
LENGTH PROJECTION	28cm 11.02"
WEIGHT	3.63KG 8lbs
LAMPHOLDER	E14 x 2
MAX WATTAGE	40W x 2
VOLTAGE	220/240v
IP RATING	20
CLASS PROTECTION	I
SHADE	GL066 x 2
FLEX BAR CHAIN LENGT	n/a
CABLE TYPE	-

Fixing Bracket MLWB01 | Antique Brass

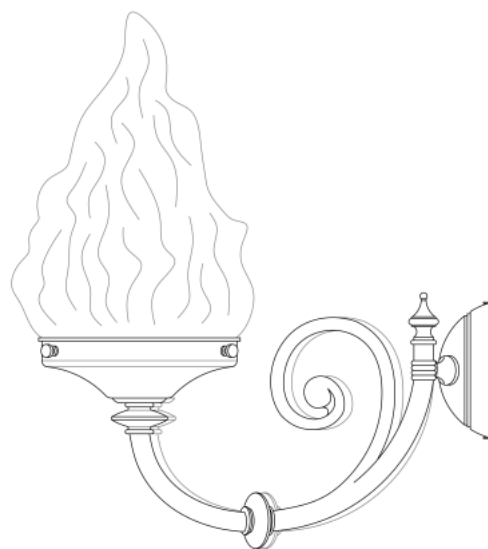


Product Notes:

1) Lamps not included with light fixture. 2) All products are individually hand crafted, therefore may differ slightly within manufacturing tolerances. 3) Please refer to: <http://www.mullanlighting.com/terms> for full list of Terms & Conditions. 4) Cable/Chain can be shortened during installation. 5) Longer Cable/Chain available on request. 6) Additional colour finishes available on request. 7) Dimensions do not include lamps. 8.) Products wired to UL standards will operate at 110/120v with the appropriate lampholders.

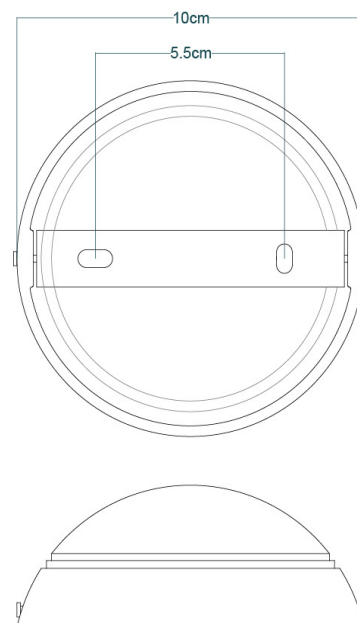


ANTIQUE SILVER



MATERIAL	Brass Glass
HEIGHT	34cm 13.39"
WIDTH DIAMETER	43cm 16.93"
LENGTH PROJECTION	28cm 11.02"
WEIGHT	3.63KG 8lbs
LAMPHOLDER	E14 x 2
MAX WATTAGE	40W x 2
VOLTAGE	220/240v
IP RATING	20
CLASS PROTECTION	I
SHADE	GL066 x 2
FLEX BAR CHAIN LENGT	n/a
CABLE TYPE	-

Fixing Bracket MLWB01 | Antique Silver

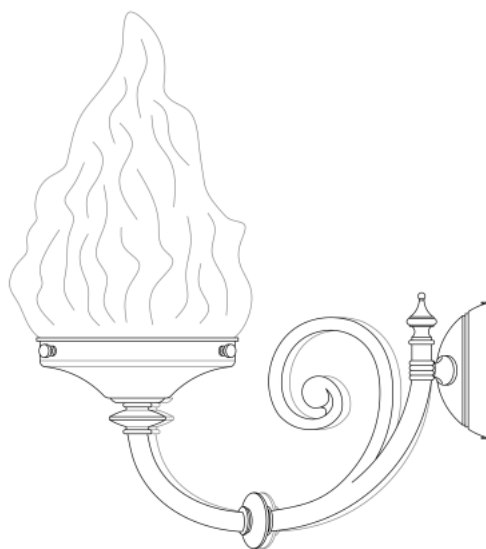


Product Notes:

1) Lamps not included with light fixture. 2) All products are individually hand crafted, therefore may differ slightly within manufacturing tolerances. 3) Please refer to: <http://www.mullanlighting.com/terms> for full list of Terms & Conditions. 4) Cable/Chain can be shortened during installation. 5) Longer Cable/Chain available on request. 6) Additional colour finishes available on request. 7.) Dimensions do not include lamps. 8.) Products wired to UL standards will operate at 110/120v with the appropriate lampholders.

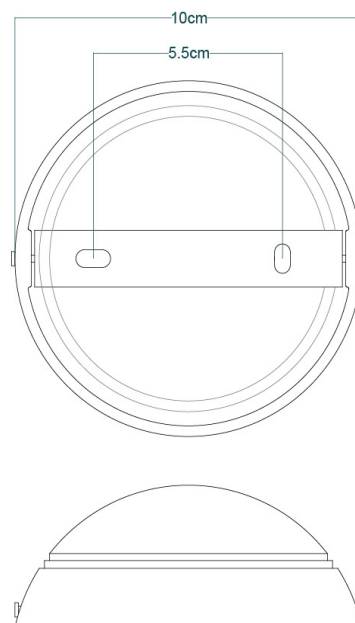
DARWIN Wall Light

MLWL355POLBRS Polished Brass



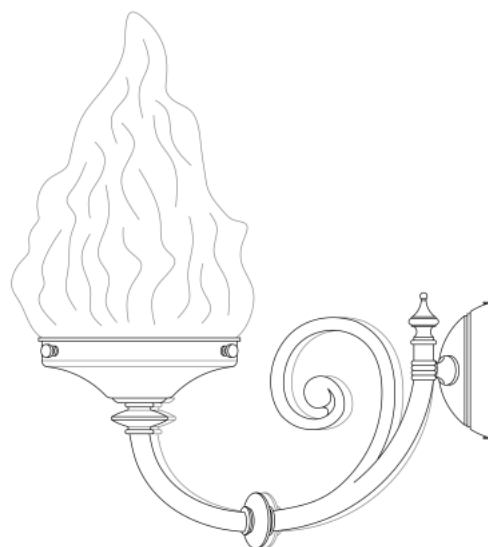
MATERIAL	Brass Glass
HEIGHT	34cm 13.39"
WIDTH DIAMETER	43cm 16.93"
LENGTH PROJECTION	28cm 11.02"
WEIGHT	3.63KG 8lbs
LAMPHOLDER	E14 x 2
MAX WATTAGE	40W x 2
VOLTAGE	220/240v
IP RATING	20
CLASS PROTECTION	I
SHADE	GL066 x 2
FLEX BAR CHAIN LENGT	n/a
CABLE TYPE	-

Fixing Bracket MLWB01 | Polished Brass



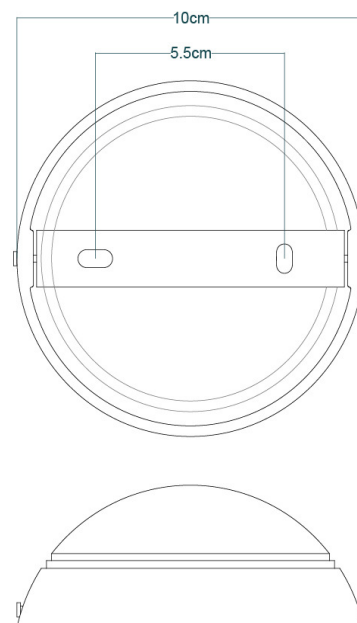
Product Notes:

1) Lamps not included with light fixture. 2) All products are individually hand crafted, therefore may differ slightly within manufacturing tolerances. 3) Please refer to: <http://www.mullanlighting.com/terms> for full list of Terms & Conditions. 4) Cable/Chain can be shortened during installation. 5) Longer Cable/Chain available on request. 6) Additional colour finishes available on request. 7.) Dimensions do not include lamps. 8.) Products wired to UL standards will operate at 110/120v with the appropriate lampholders.



MATERIAL	Brass Glass
HEIGHT	34cm 13.39"
WIDTH DIAMETER	43cm 16.93"
LENGTH PROJECTION	28cm 11.02"
WEIGHT	3.63KG 8lbs
LAMPHOLDER	E14 x 2
MAX WATTAGE	40W x 2
VOLTAGE	220/240v
IP RATING	20
CLASS PROTECTION	I
SHADE	GL066 x 2
FLEX BAR CHAIN LENGT	n/a
CABLE TYPE	-

Fixing Bracket MLWB01 | Satin Brass



Product Notes:

1) Lamps not included with light fixture. 2) All products are individually hand crafted, therefore may differ slightly within manufacturing tolerances. 3) Please refer to: <http://www.mullanlighting.com/terms> for full list of Terms & Conditions. 4) Cable/Chain can be shortened during installation. 5) Longer Cable/Chain available on request. 6) Additional colour finishes available on request. 7.) Dimensions do not include lamps. 8.) Products wired to UL standards will operate at 110/120v with the appropriate lampholders.