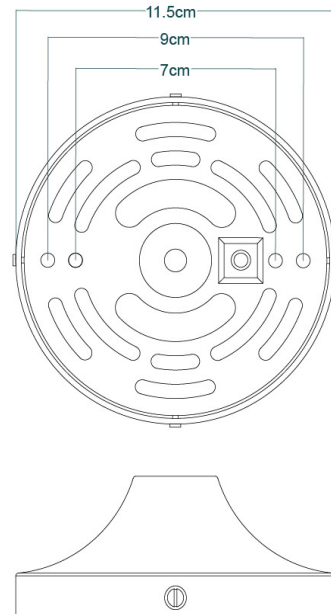


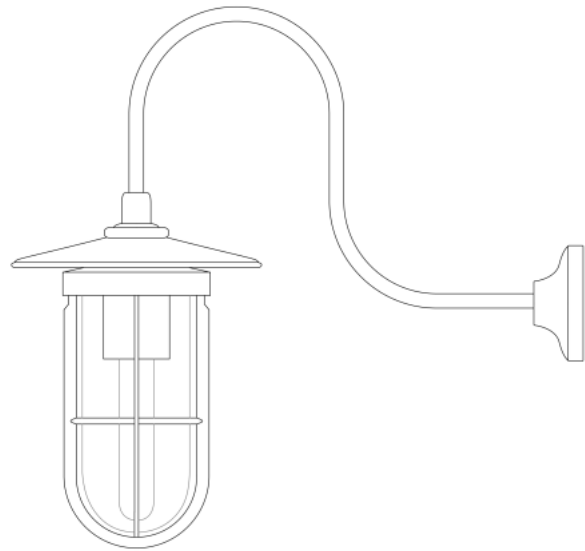
MATERIAL	Brass   Glass
HEIGHT	35cm   13.78"
WIDTH   DIAMETER	16cm   6.3"
LENGTH   PROJECTION	37cm   14.57"
WEIGHT	1.77KG   3.9lbs
LAMPHOLDER	E27 x 1
MAX WATTAGE	40W x 1
VOLTAGE	220/240v
IP RATING	65
CLASS PROTECTION	II
SHADE	GL147
FLEX   BAR   CHAIN LENGT	n/a
CABLE TYPE	-

Fixing Bracket MLWB12 | Antique Brass



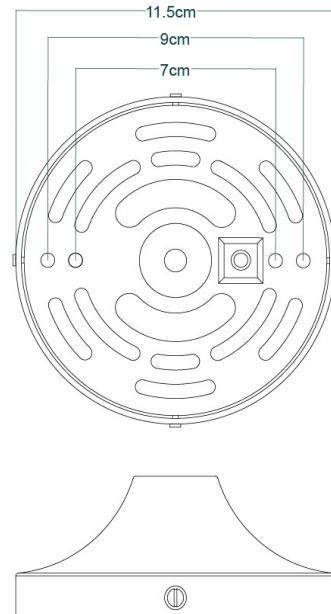
Product Notes:

1) Lamps not included with light fixture. 2) All products are individually hand crafted, therefore may differ slightly within manufacturing tolerances. 3) Please refer to: <http://www.mullanlighting.com/terms> for full list of Terms & Conditions. 4) Cable/Chain can be shortened during installation. 5) Longer Cable/Chain available on request. 6) Additional colour finishes available on request. 7.) Dimensions do not include lamps. 8.) Products wired to UL standards will operate at 110/120v with the appropriate lampholders.



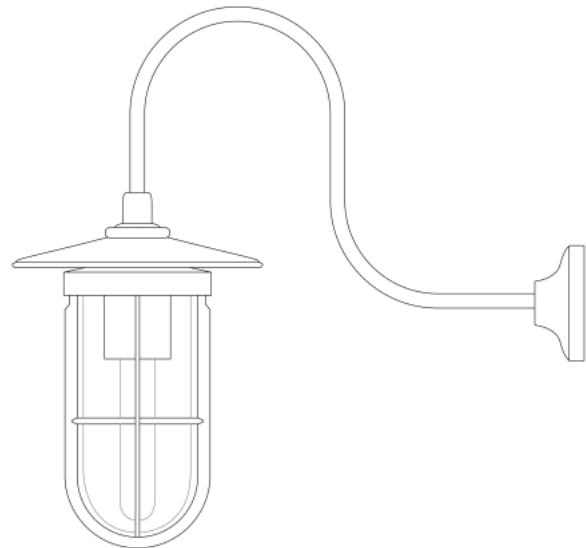
MATERIAL	Brass   Glass
HEIGHT	35cm   13.78"
WIDTH   DIAMETER	16cm   6.3"
LENGTH   PROJECTION	37cm   14.57"
WEIGHT	1.77KG   3.9lbs
LAMPHOLDER	E27 x 1
MAX WATTAGE	40W x 1
VOLTAGE	220/240v
IP RATING	65
CLASS PROTECTION	II
SHADE	GL144
FLEX   BAR   CHAIN LENGT	n/a
CABLE TYPE	-

Fixing Bracket MLWB12 | Antique Brass



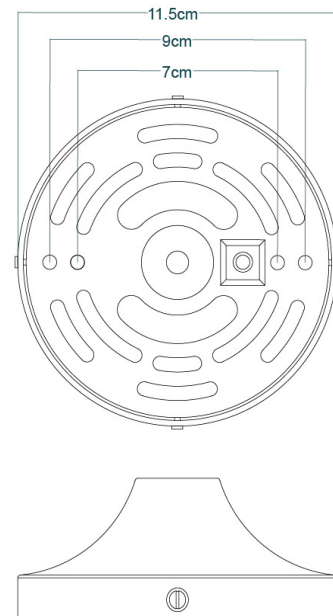
Product Notes:

1) Lamps not included with light fixture. 2) All products are individually hand crafted, therefore may differ slightly within manufacturing tolerances. 3) Please refer to: <http://www.mullanlighting.com/terms> for full list of Terms & Conditions. 4) Cable/Chain can be shortened during installation. 5) Longer Cable/Chain available on request. 6) Additional colour finishes available on request. 7.) Dimensions do not include lamps. 8.) Products wired to UL standards will operate at 110/120v with the appropriate lampholders.



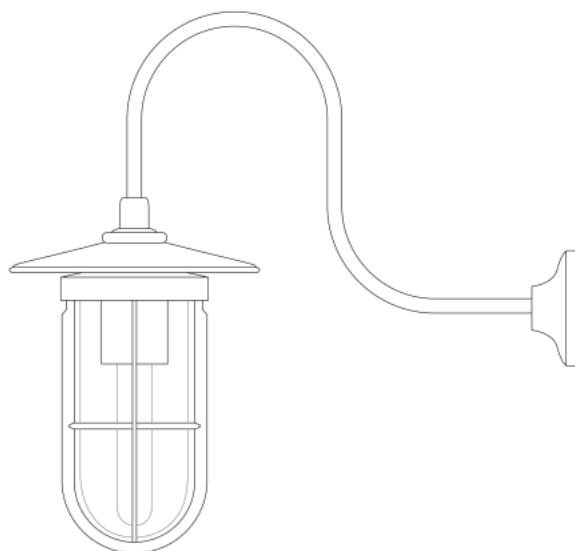
MATERIAL	Brass   Glass
HEIGHT	35cm   13.78"
WIDTH   DIAMETER	16cm   6.3"
LENGTH   PROJECTION	37cm   14.57"
WEIGHT	1.77KG   3.9lbs
LAMPHOLDER	E27 x 1
MAX WATTAGE	40W x 1
VOLTAGE	220/240v
IP RATING	65
CLASS PROTECTION	II
SHADE	GL148
FLEX   BAR   CHAIN LENGT	n/a
CABLE TYPE	-

Fixing Bracket MLWB12 | Antique Brass



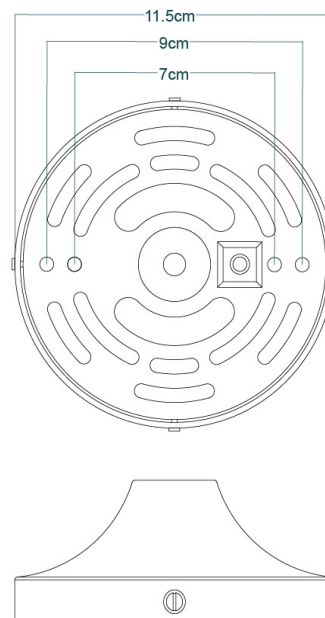
Product Notes:

1) Lamps not included with light fixture. 2) All products are individually hand crafted, therefore may differ slightly within manufacturing tolerances. 3) Please refer to: <http://www.mullanlighting.com/terms> for full list of Terms & Conditions. 4) Cable/Chain can be shortened during installation. 5) Longer Cable/Chain available on request. 6) Additional colour finishes available on request. 7.) Dimensions do not include lamps. 8.) Products wired to UL standards will operate at 110/120v with the appropriate lampholders.



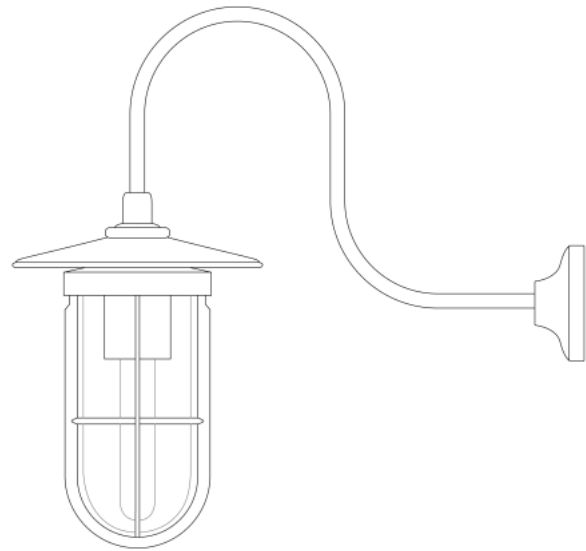
MATERIAL	Brass   Glass
HEIGHT	35cm   13.78"
WIDTH   DIAMETER	16cm   6.3"
LENGTH   PROJECTION	37cm   14.57"
WEIGHT	1.77KG   3.9lbs
LAMPHOLDER	E27 x 1
MAX WATTAGE	40W x 1
VOLTAGE	220/240v
IP RATING	65
CLASS PROTECTION	II
SHADE	GL147
FLEX   BAR   CHAIN LENGT	n/a
CABLE TYPE	-

Fixing Bracket MLWB12 | Antique Silver



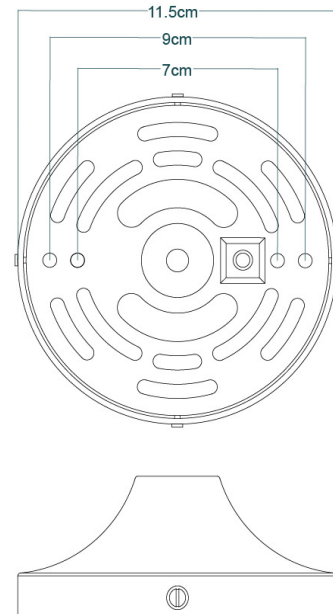
Product Notes:

1) Lamps not included with light fixture. 2) All products are individually hand crafted, therefore may differ slightly within manufacturing tolerances. 3) Please refer to: <http://www.mullanlighting.com/terms> for full list of Terms & Conditions. 4) Cable/Chain can be shortened during installation. 5) Longer Cable/Chain available on request. 6) Additional colour finishes available on request. 7.) Dimensions do not include lamps. 8.) Products wired to UL standards will operate at 110/120v with the appropriate lampholders.



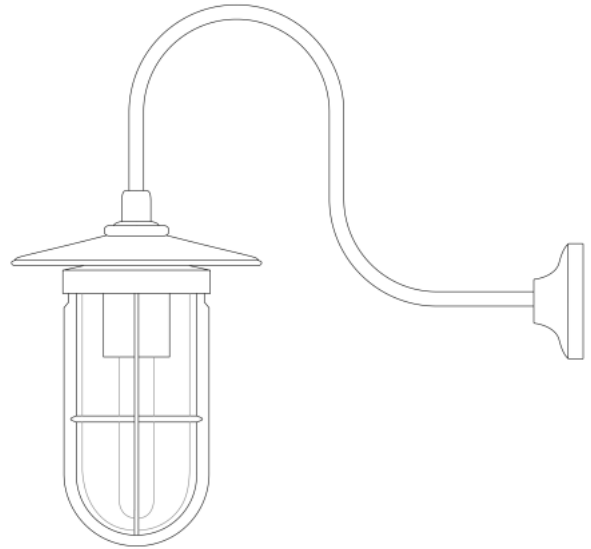
MATERIAL	Brass   Glass
HEIGHT	35cm   13.78"
WIDTH   DIAMETER	16cm   6.3"
LENGTH   PROJECTION	37cm   14.57"
WEIGHT	1.77KG   3.9lbs
LAMPHOLDER	E27 x 1
MAX WATTAGE	40W x 1
VOLTAGE	220/240v
IP RATING	65
CLASS PROTECTION	II
SHADE	GL144
FLEX   BAR   CHAIN LENGT	n/a
CABLE TYPE	-

Fixing Bracket MLWB12 | Antique Silver



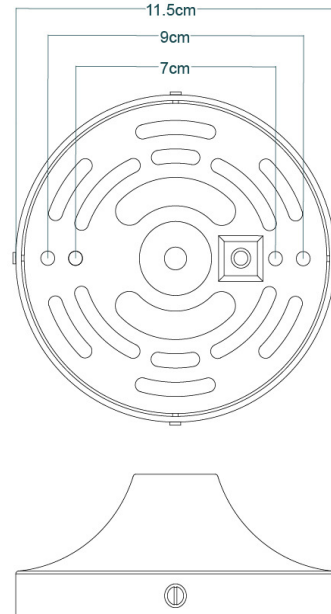
Product Notes:

1) Lamps not included with light fixture. 2) All products are individually hand crafted, therefore may differ slightly within manufacturing tolerances. 3) Please refer to: <http://www.mullanlighting.com/terms> for full list of Terms & Conditions. 4) Cable/Chain can be shortened during installation. 5) Longer Cable/Chain available on request. 6) Additional colour finishes available on request. 7.) Dimensions do not include lamps. 8.) Products wired to UL standards will operate at 110/120v with the appropriate lampholders.



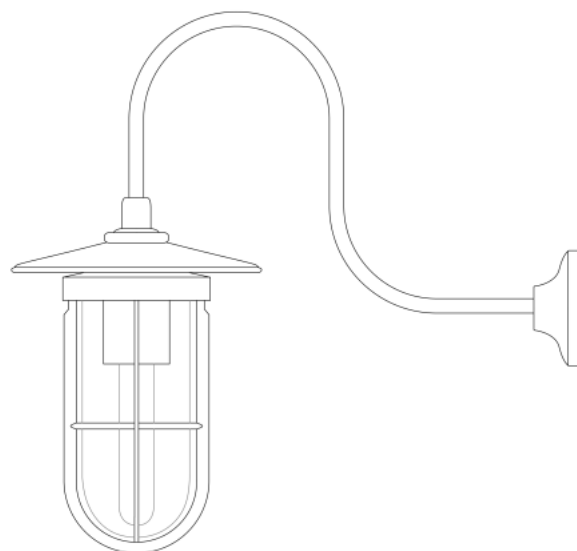
MATERIAL	Brass   Glass
HEIGHT	35cm   13.78"
WIDTH   DIAMETER	16cm   6.3"
LENGTH   PROJECTION	37cm   14.57"
WEIGHT	1.77KG   3.9lbs
LAMPHOLDER	E27 x 1
MAX WATTAGE	40W x 1
VOLTAGE	220/240v
IP RATING	65
CLASS PROTECTION	II
SHADE	GL148
FLEX   BAR   CHAIN LENGT	n/a
CABLE TYPE	-

Fixing Bracket MLWB12 | Antique Silver

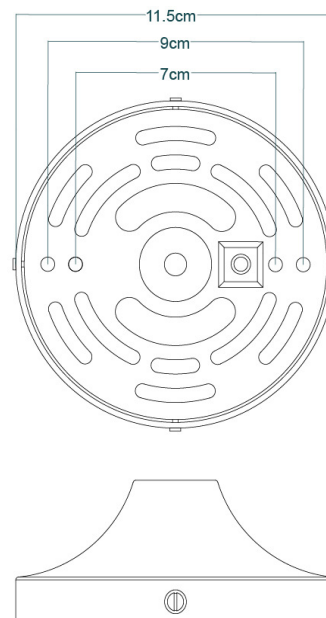


Product Notes:

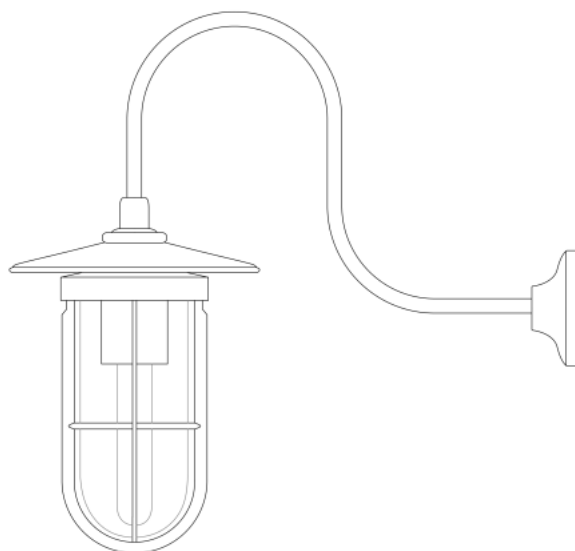
1) Lamps not included with light fixture. 2) All products are individually hand crafted, therefore may differ slightly within manufacturing tolerances. 3) Please refer to: <http://www.mullanlighting.com/terms> for full list of Terms & Conditions. 4) Cable/Chain can be shortened during installation. 5) Longer Cable/Chain available on request. 6) Additional colour finishes available on request. 7.) Dimensions do not include lamps. 8.) Products wired to UL standards will operate at 110/120v with the appropriate lampholders.



MATERIAL	Brass   Glass
HEIGHT	35cm   13.78"
WIDTH   DIAMETER	16cm   6.3"
LENGTH   PROJECTION	37cm   14.57"
WEIGHT	1.77KG   3.9lbs
LAMPHOLDER	E27 x 1
MAX WATTAGE	40W x 1
VOLTAGE	220/240v
IP RATING	65
CLASS PROTECTION	II
SHADE	GL147
FLEX   BAR   CHAIN LENGT	n/a
CABLE TYPE	-

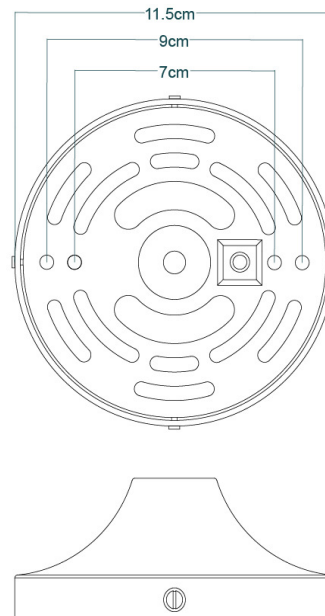
**Fixing Bracket MLWB12 | Natural Brass**

**Product Notes:**

1) Lamps not included with light fixture. 2) All products are individually hand crafted, therefore may differ slightly within manufacturing tolerances. 3) Please refer to: <http://www.mullanlighting.com/terms> for full list of Terms & Conditions. 4) Cable/Chain can be shortened during installation. 5) Longer Cable/Chain available on request. 6) Additional colour finishes available on request. 7.) Dimensions do not include lamps. 8.) Products wired to UL standards will operate at 110/120v with the appropriate lampholders.



MATERIAL	Brass   Glass
HEIGHT	35cm   13.78"
WIDTH   DIAMETER	16cm   6.3"
LENGTH   PROJECTION	37cm   14.57"
WEIGHT	1.77KG   3.9lbs
LAMPHOLDER	E27 x 1
MAX WATTAGE	40W x 1
VOLTAGE	220/240v
IP RATING	65
CLASS PROTECTION	II
SHADE	GL144
FLEX   BAR   CHAIN LENGT	n/a
CABLE TYPE	-

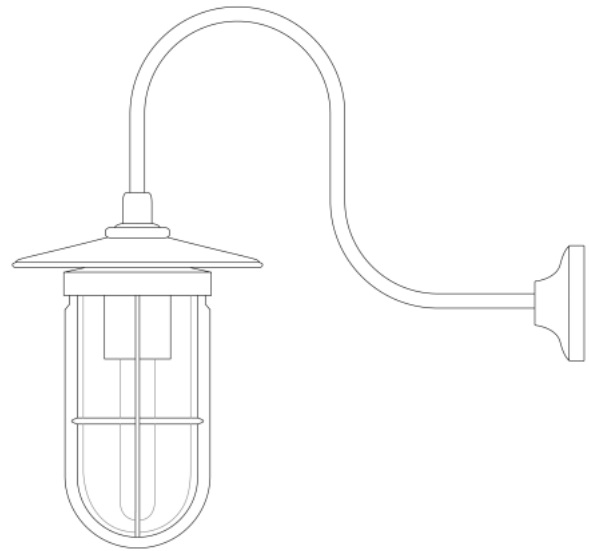
Fixing Bracket MLWB12 | Natural Brass



Product Notes:

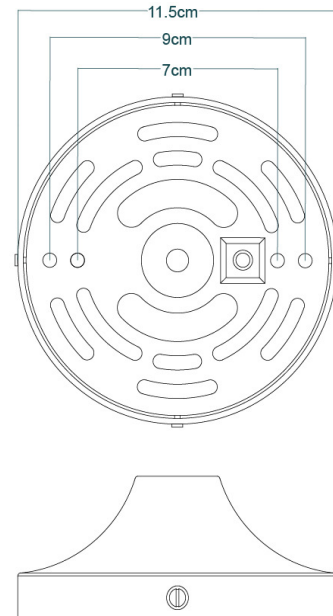
1) Lamps not included with light fixture. 2) All products are individually hand crafted, therefore may differ slightly within manufacturing tolerances. 3) Please refer to: <http://www.mullanlighting.com/terms> for full list of Terms & Conditions. 4) Cable/Chain can be shortened during installation. 5) Longer Cable/Chain available on request. 6) Additional colour finishes available on request. 7.) Dimensions do not include lamps. 8.) Products wired to UL standards will operate at 110/120v with the appropriate lampholders.





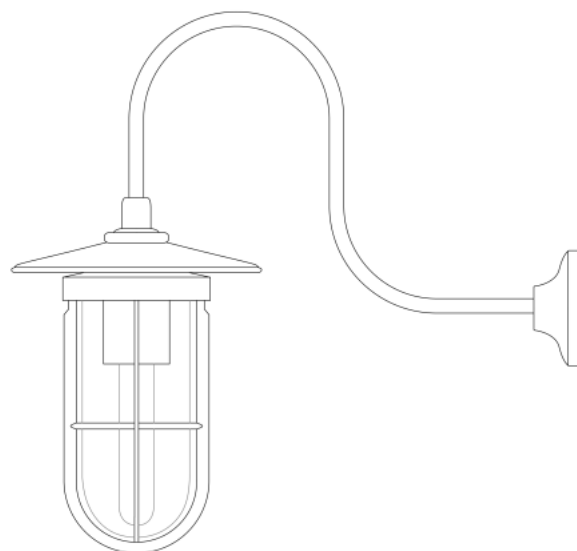
MATERIAL	Brass   Glass
HEIGHT	35cm   13.78"
WIDTH   DIAMETER	16cm   6.3"
LENGTH   PROJECTION	37cm   14.57"
WEIGHT	1.77KG   3.9lbs
LAMPHOLDER	E27 x 1
MAX WATTAGE	40W x 1
VOLTAGE	220/240v
IP RATING	65
CLASS PROTECTION	II
SHADE	GL148
FLEX   BAR   CHAIN LENGT	n/a
CABLE TYPE	-

Fixing Bracket MLWB12 | Natural Brass



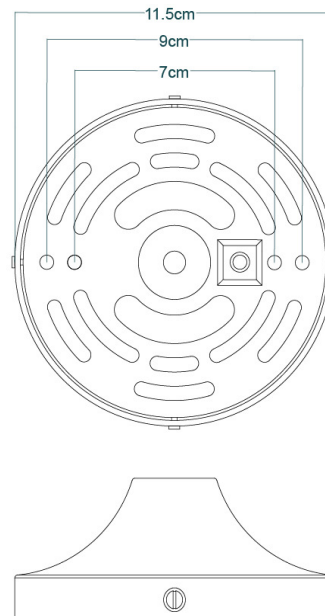
Product Notes:

1) Lamps not included with light fixture. 2) All products are individually hand crafted, therefore may differ slightly within manufacturing tolerances. 3) Please refer to: <http://www.mullanlighting.com/terms> for full list of Terms & Conditions. 4) Cable/Chain can be shortened during installation. 5) Longer Cable/Chain available on request. 6) Additional colour finishes available on request. 7.) Dimensions do not include lamps. 8.) Products wired to UL standards will operate at 110/120v with the appropriate lampholders.



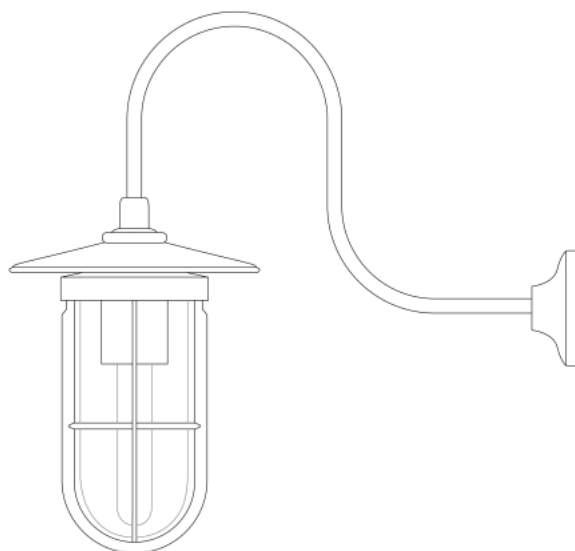
MATERIAL	Brass   Glass
HEIGHT	35cm   13.78"
WIDTH   DIAMETER	16cm   6.3"
LENGTH   PROJECTION	37cm   14.57"
WEIGHT	1.77KG   3.9lbs
LAMPHOLDER	E27 x 1
MAX WATTAGE	40W x 1
VOLTAGE	220/240v
IP RATING	65
CLASS PROTECTION	II
SHADE	GL147
FLEX   BAR   CHAIN LENGT	n/a
CABLE TYPE	-

Fixing Bracket MLWB12 | Polished Brass



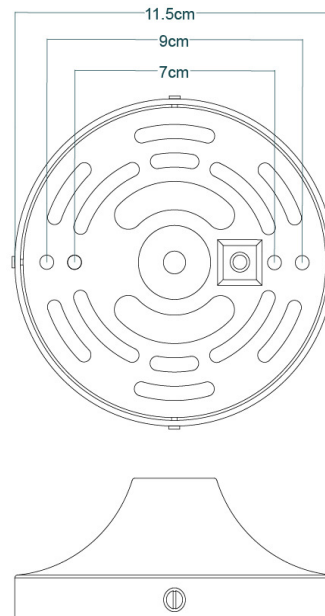
Product Notes:

1) Lamps not included with light fixture. 2) All products are individually hand crafted, therefore may differ slightly within manufacturing tolerances. 3) Please refer to: <http://www.mullanlighting.com/terms> for full list of Terms & Conditions. 4) Cable/Chain can be shortened during installation. 5) Longer Cable/Chain available on request. 6) Additional colour finishes available on request. 7.) Dimensions do not include lamps. 8.) Products wired to UL standards will operate at 110/120v with the appropriate lampholders.



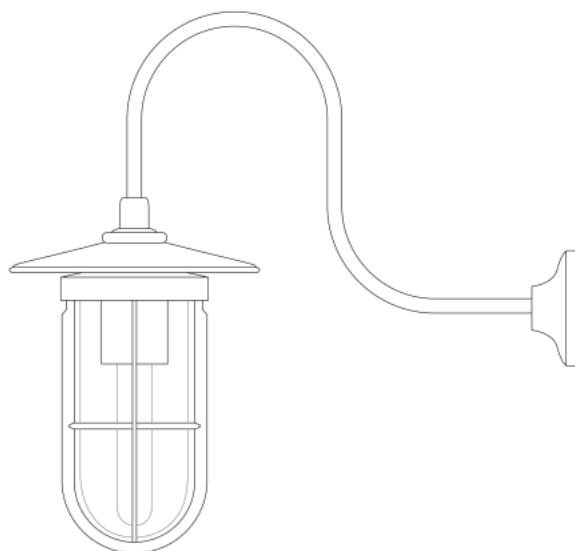
MATERIAL	Brass   Glass
HEIGHT	35cm   13.78"
WIDTH   DIAMETER	16cm   6.3"
LENGTH   PROJECTION	37cm   14.57"
WEIGHT	1.77KG   3.9lbs
LAMPHOLDER	E27 x 1
MAX WATTAGE	40W x 1
VOLTAGE	220/240v
IP RATING	65
CLASS PROTECTION	II
SHADE	GL144
FLEX   BAR   CHAIN LENGT	n/a
CABLE TYPE	-

Fixing Bracket MLWB12 | Polished Brass



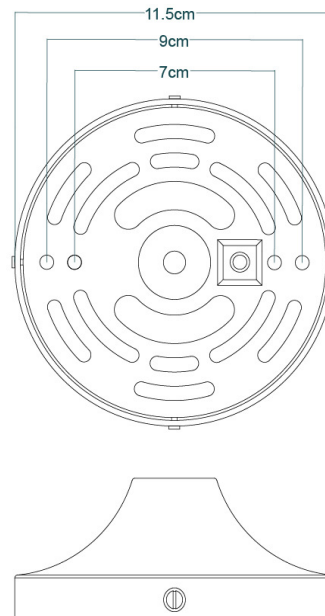
Product Notes:

1) Lamps not included with light fixture. 2) All products are individually hand crafted, therefore may differ slightly within manufacturing tolerances. 3) Please refer to: <http://www.mullanlighting.com/terms> for full list of Terms & Conditions. 4) Cable/Chain can be shortened during installation. 5) Longer Cable/Chain available on request. 6) Additional colour finishes available on request. 7.) Dimensions do not include lamps. 8.) Products wired to UL standards will operate at 110/120v with the appropriate lampholders.



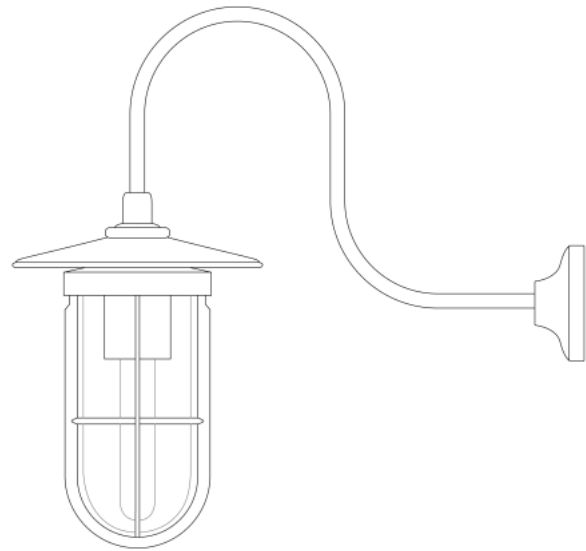
MATERIAL	Brass   Glass
HEIGHT	35cm   13.78"
WIDTH   DIAMETER	16cm   6.3"
LENGTH   PROJECTION	37cm   14.57"
WEIGHT	1.77KG   3.9lbs
LAMPHOLDER	E27 x 1
MAX WATTAGE	40W x 1
VOLTAGE	220/240v
IP RATING	65
CLASS PROTECTION	II
SHADE	GL148
FLEX   BAR   CHAIN LENGT	n/a
CABLE TYPE	-

Fixing Bracket MLWB12 | Polished Brass



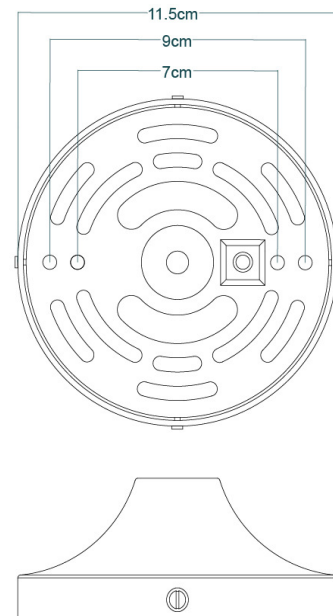
Product Notes:

1) Lamps not included with light fixture. 2) All products are individually hand crafted, therefore may differ slightly within manufacturing tolerances. 3) Please refer to: <http://www.mullanlighting.com/terms> for full list of Terms & Conditions. 4) Cable/Chain can be shortened during installation. 5) Longer Cable/Chain available on request. 6) Additional colour finishes available on request. 7.) Dimensions do not include lamps. 8.) Products wired to UL standards will operate at 110/120v with the appropriate lampholders.



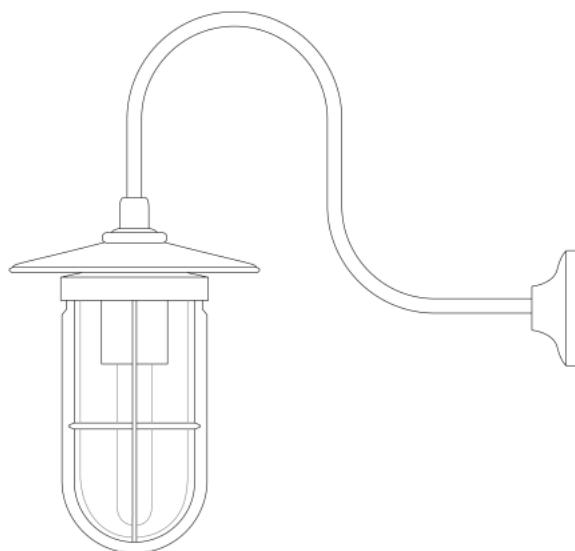
MATERIAL	Brass   Glass
HEIGHT	35cm   13.78"
WIDTH   DIAMETER	16cm   6.3"
LENGTH   PROJECTION	37cm   14.57"
WEIGHT	1.77KG   3.9lbs
LAMPHOLDER	E27 x 1
MAX WATTAGE	40W x 1
VOLTAGE	220/240v
IP RATING	65
CLASS PROTECTION	II
SHADE	GL147
FLEX   BAR   CHAIN LENGT	n/a
CABLE TYPE	-

Fixing Bracket MLWB12 | Satin Brass



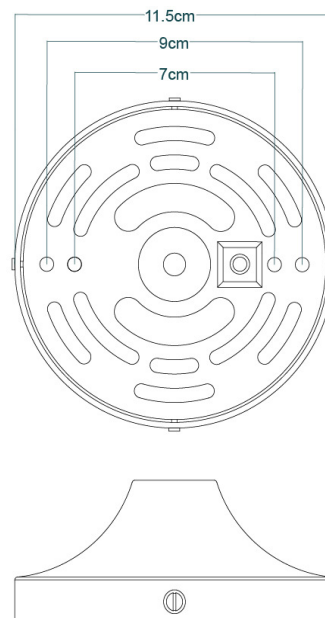
Product Notes:

1) Lamps not included with light fixture. 2) All products are individually hand crafted, therefore may differ slightly within manufacturing tolerances. 3) Please refer to: <http://www.mullanlighting.com/terms> for full list of Terms & Conditions. 4) Cable/Chain can be shortened during installation. 5) Longer Cable/Chain available on request. 6) Additional colour finishes available on request. 7.) Dimensions do not include lamps. 8.) Products wired to UL standards will operate at 110/120v with the appropriate lampholders.



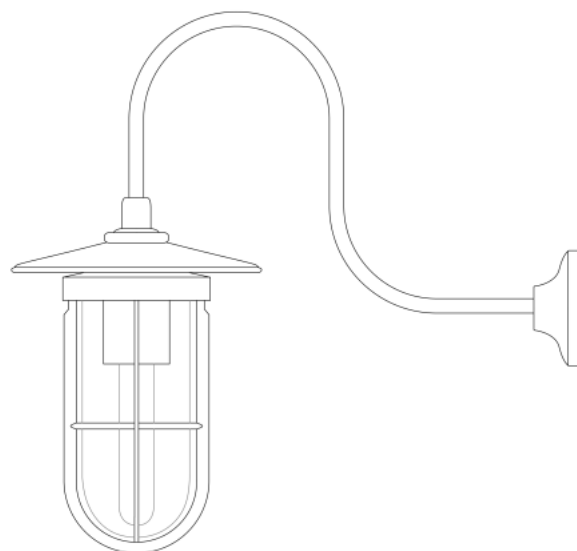
MATERIAL	Brass   Glass
HEIGHT	35cm   13.78"
WIDTH   DIAMETER	16cm   6.3"
LENGTH   PROJECTION	37cm   14.57"
WEIGHT	1.77KG   3.9lbs
LAMPHOLDER	E27 x 1
MAX WATTAGE	40W x 1
VOLTAGE	220/240v
IP RATING	65
CLASS PROTECTION	II
SHADE	GL144
FLEX   BAR   CHAIN LENGT	n/a
CABLE TYPE	-

Fixing Bracket MLWB12 | Satin Brass



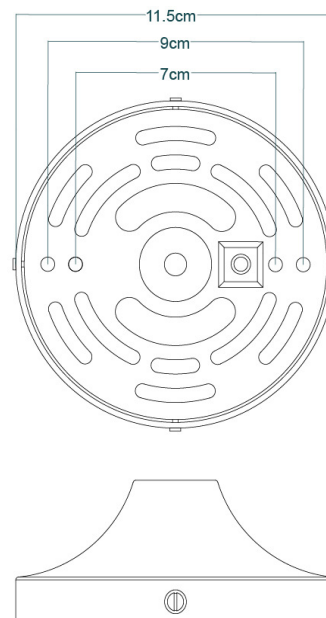
Product Notes:

1) Lamps not included with light fixture. 2) All products are individually hand crafted, therefore may differ slightly within manufacturing tolerances. 3) Please refer to: <http://www.mullanlighting.com/terms> for full list of Terms & Conditions. 4) Cable/Chain can be shortened during installation. 5) Longer Cable/Chain available on request. 6) Additional colour finishes available on request. 7.) Dimensions do not include lamps. 8.) Products wired to UL standards will operate at 110/120v with the appropriate lampholders.



MATERIAL	Brass   Glass
HEIGHT	35cm   13.78"
WIDTH   DIAMETER	16cm   6.3"
LENGTH   PROJECTION	37cm   14.57"
WEIGHT	1.77KG   3.9lbs
LAMPHOLDER	E27 x 1
MAX WATTAGE	40W x 1
VOLTAGE	220/240v
IP RATING	65
CLASS PROTECTION	II
SHADE	GL148
FLEX   BAR   CHAIN LENGT	n/a
CABLE TYPE	-

Fixing Bracket MLWB12 | Satin Brass



Product Notes:

1) Lamps not included with light fixture. 2) All products are individually hand crafted, therefore may differ slightly within manufacturing tolerances. 3) Please refer to: <http://www.mullanlighting.com/terms> for full list of Terms & Conditions. 4) Cable/Chain can be shortened during installation. 5) Longer Cable/Chain available on request. 6) Additional colour finishes available on request. 7.) Dimensions do not include lamps. 8.) Products wired to UL standards will operate at 110/120v with the appropriate lampholders.