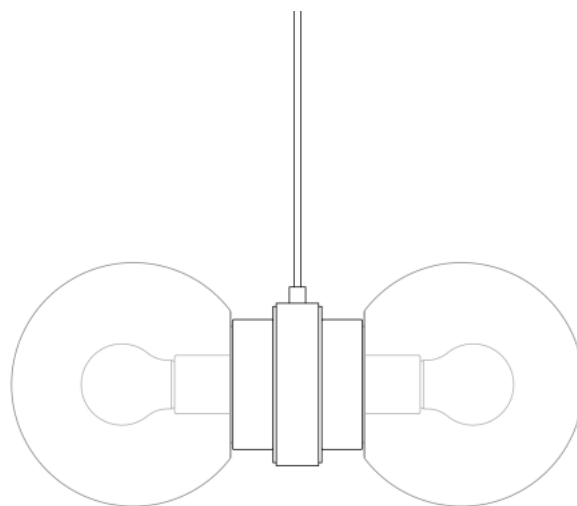


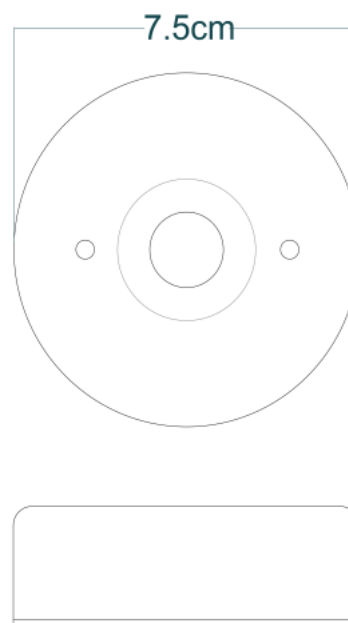
ESKE Pendant

MLP430ANTBRSC L Antiqu e Brass



MATERIAL	Brass Glass
HEIGHT	22cm 8.66"
WIDTH DIAMETER	15cm 5.91"
LENGTH PROJECTION	36cm 14.17"
WEIGHT	2.8KG 6.17lbs
LAMPHOLDER	E27 x 2
MAX WATTAGE	40W x 2
VOLTAGE	220/240v
IP RATING	20
CLASS PROTECTION	I
SHADE	GL166 x 2
FLEX BAR CHAIN LENG T	100cm 40"
CABLE TYPE	MLCA046 3 Core Round Brown Braid PVC

Fixing Bracket MLWB13 | Antiqu e Brass

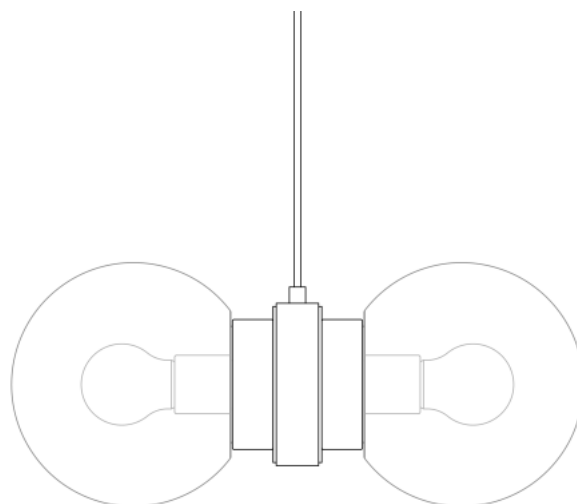


Product Notes:

1) Lamps not included with light fixture. 2) All products are individually hand crafted, therefore may differ slightly within manufacturing tolerances. 3) Please refer to: <http://www.mullanlighting.com/terms> for full list of Terms & Conditions. 4) Cable/Chain can be shortened during installation. 5) Longer Cable/Chain available on request. 6) Additional colour finishes available on request. 7.) Dimensions do not include lamps. 8.) Products wired to UL standards will operate at 110/120v with the appropriate lampholders.

ESKE Pendant

MLP430ANTBRSOP Antique Brass



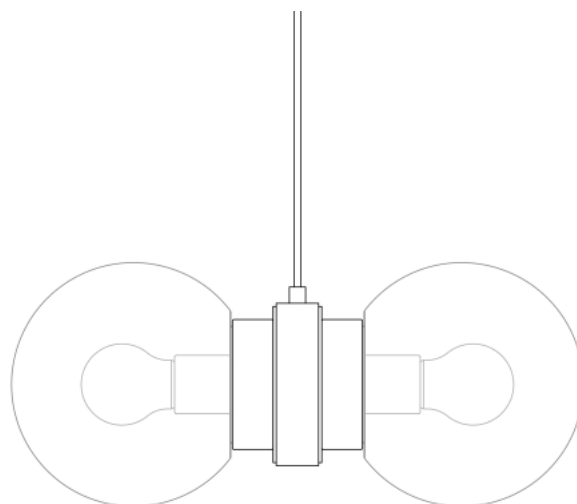
MATERIAL	Brass Glass
HEIGHT	22cm 8.66"
WIDTH DIAMETER	15cm 5.91"
LENGTH PROJECTION	36cm 14.17"
WEIGHT	2.8KG 6.17lbs
LAMPHOLDER	E27 x 2
MAX WATTAGE	40W x 2
VOLTAGE	220/240v
IP RATING	20
CLASS PROTECTION	I
SHADE	GL167 x 2
FLEX BAR CHAIN LENGT	100cm 40"
CABLE TYPE	MLCA046 3 Core Round Brown Braid PVC

Fixing Bracket MLWB13 | Antique Brass



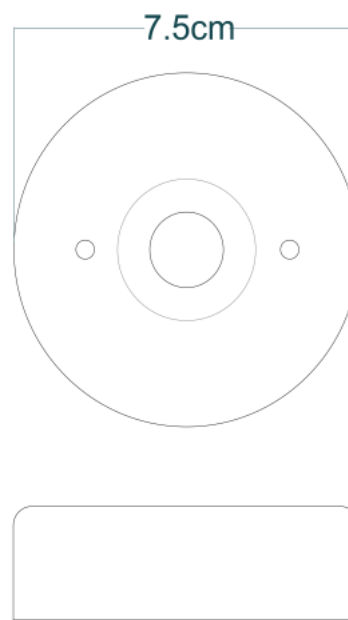
ESKE Pendant

MLP430ANTSLVCL Antique Silver



MATERIAL	Brass Glass
HEIGHT	22cm 8.66"
WIDTH DIAMETER	15cm 5.91"
LENGTH PROJECTION	36cm 14.17"
WEIGHT	2.8KG 6.17lbs
LAMPHOLDER	E27 x 2
MAX WATTAGE	40W x 2
VOLTAGE	220/240v
IP RATING	20
CLASS PROTECTION	I
SHADE	GL166 x 2
FLEX BAR CHAIN LENGT	100cm 40"
CABLE TYPE	MLCA029 3 Core Round Black Braid PVC

Fixing Bracket MLWB13 | Antique Silver

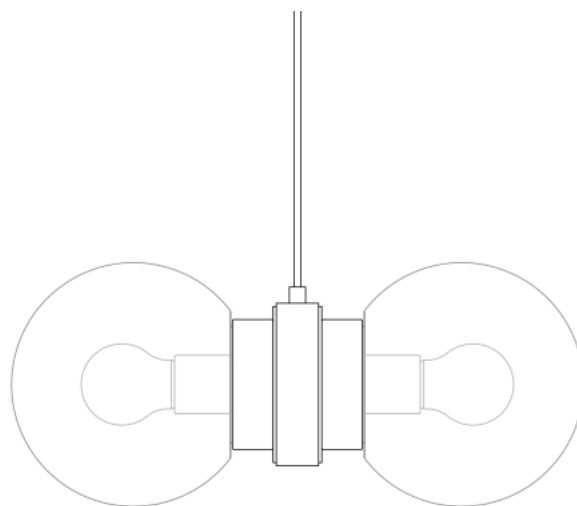


Product Notes:

1) Lamps not included with light fixture. 2) All products are individually hand crafted, therefore may differ slightly within manufacturing tolerances. 3) Please refer to: <http://www.mullanlighting.com/terms> for full list of Terms & Conditions. 4) Cable/Chain can be shortened during installation. 5) Longer Cable/Chain available on request. 6) Additional colour finishes available on request. 7.) Dimensions do not include lamps. 8.) Products wired to UL standards will operate at 110/120v with the appropriate lampholders.

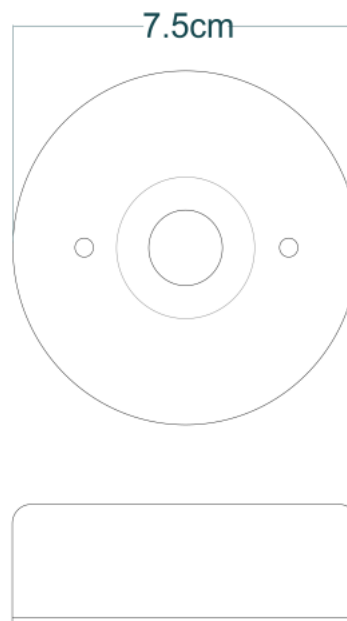
ESKE Pendant

MLP430ANTSLVOP Antique Silver



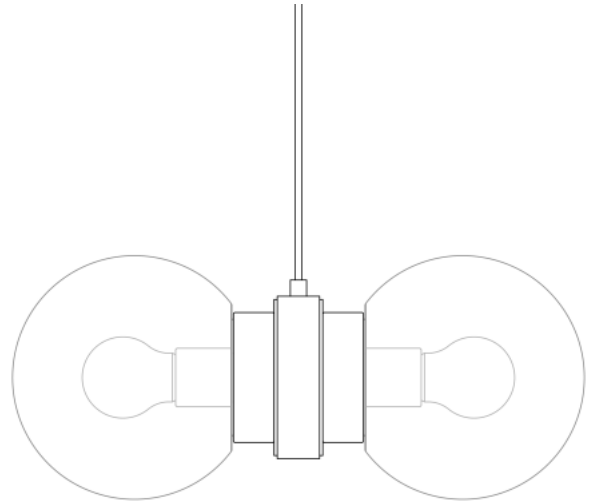
MATERIAL	Brass Glass
HEIGHT	22cm 8.66"
WIDTH DIAMETER	15cm 5.91"
LENGTH PROJECTION	36cm 14.17"
WEIGHT	2.8KG 6.17lbs
LAMPHOLDER	E27 x 2
MAX WATTAGE	40W x 2
VOLTAGE	220/240v
IP RATING	20
CLASS PROTECTION	I
SHADE	GL167 x 2
FLEX BAR CHAIN LENGT	100cm 40"
CABLE TYPE	MLCA029 3 Core Round Black Braid PVC

Fixing Bracket MLWB13 | Antique Silver



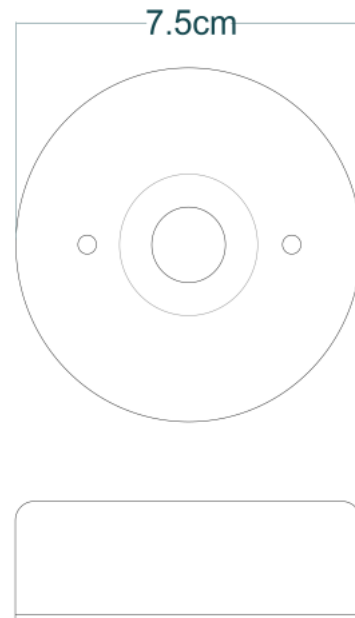
Product Notes:

1) Lamps not included with light fixture. 2) All products are individually hand crafted, therefore may differ slightly within manufacturing tolerances. 3) Please refer to: <http://www.mullanlighting.com/terms> for full list of Terms & Conditions. 4) Cable/Chain can be shortened during installation. 5) Longer Cable/Chain available on request. 6) Additional colour finishes available on request. 7.) Dimensions do not include lamps. 8.) Products wired to UL standards will operate at 110/120v with the appropriate lampholders.



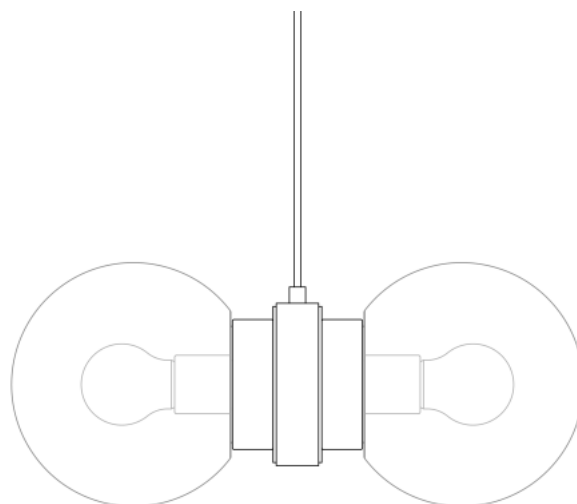
MATERIAL	Brass Glass
HEIGHT	22cm 8.66"
WIDTH DIAMETER	15cm 5.91"
LENGTH PROJECTION	36cm 14.17"
WEIGHT	2.8KG 6.17lbs
LAMPHOLDER	E27 x 2
MAX WATTAGE	40W x 2
VOLTAGE	220/240v
IP RATING	20
CLASS PROTECTION	I
SHADE	GL166 x 2
FLEX BAR CHAIN LENGT	100cm 40"
CABLE TYPE	MLCA029 3 Core Round Black Braid PVC

Fixing Bracket MLWB13 | Polished Brass



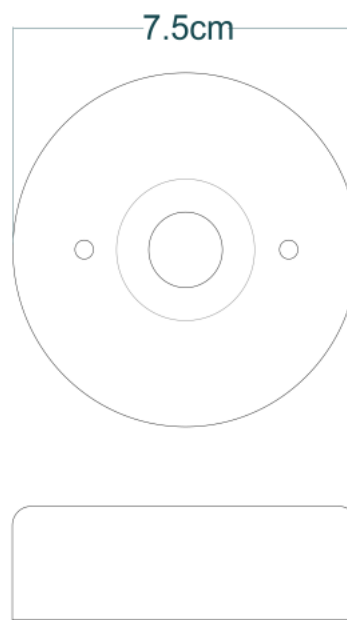
Product Notes:

1) Lamps not included with light fixture. 2) All products are individually hand crafted, therefore may differ slightly within manufacturing tolerances. 3) Please refer to: <http://www.mullanlighting.com/terms> for full list of Terms & Conditions. 4) Cable/Chain can be shortened during installation. 5) Longer Cable/Chain available on request. 6) Additional colour finishes available on request. 7.) Dimensions do not include lamps. 8.) Products wired to UL standards will operate at 110/120v with the appropriate lampholders.



MATERIAL	Brass Glass
HEIGHT	22cm 8.66"
WIDTH DIAMETER	15cm 5.91"
LENGTH PROJECTION	36cm 14.17"
WEIGHT	2.8KG 6.17lbs
LAMPHOLDER	E27 x 2
MAX WATTAGE	40W x 2
VOLTAGE	220/240v
IP RATING	20
CLASS PROTECTION	I
SHADE	GL167 x 2
FLEX BAR CHAIN LENGT	100cm 40"
CABLE TYPE	MLCA029 3 Core Round Black Braid PVC

Fixing Bracket MLWB13 | Polished Brass

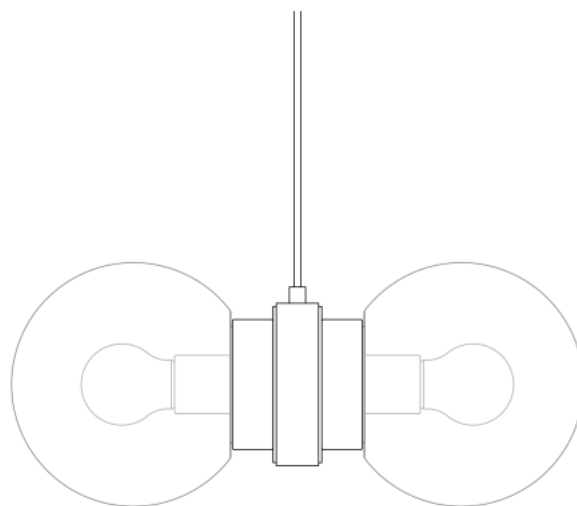


Product Notes:

1) Lamps not included with light fixture. 2) All products are individually hand crafted, therefore may differ slightly within manufacturing tolerances. 3) Please refer to: <http://www.mullanlighting.com/terms> for full list of Terms & Conditions. 4) Cable/Chain can be shortened during installation. 5) Longer Cable/Chain available on request. 6) Additional colour finishes available on request. 7.) Dimensions do not include lamps. 8.) Products wired to UL standards will operate at 110/120v with the appropriate lampholders.

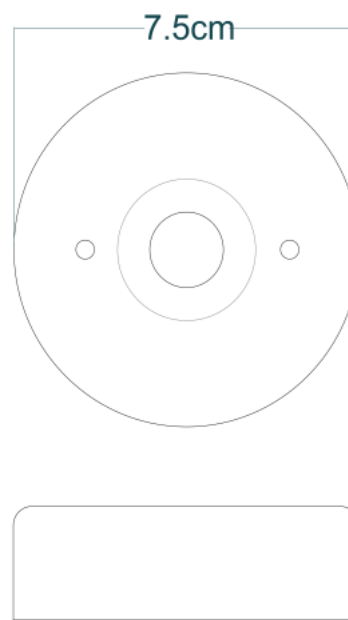
ESKE Pendant

MLP430SATBRSC L Satin Brass



MATERIAL	Brass Glass
HEIGHT	22cm 8.66"
WIDTH DIAMETER	15cm 5.91"
LENGTH PROJECTION	36cm 14.17"
WEIGHT	2.8KG 6.17lbs
LAMPHOLDER	E27 x 2
MAX WATTAGE	40W x 2
VOLTAGE	220/240v
IP RATING	20
CLASS PROTECTION	I
SHADE	GL166 x 2
FLEX BAR CHAIN LENGT	100cm 40"
CABLE TYPE	MLCA029 3 Core Round Black Braid PVC

Fixing Bracket MLWB13 | Satin Brass

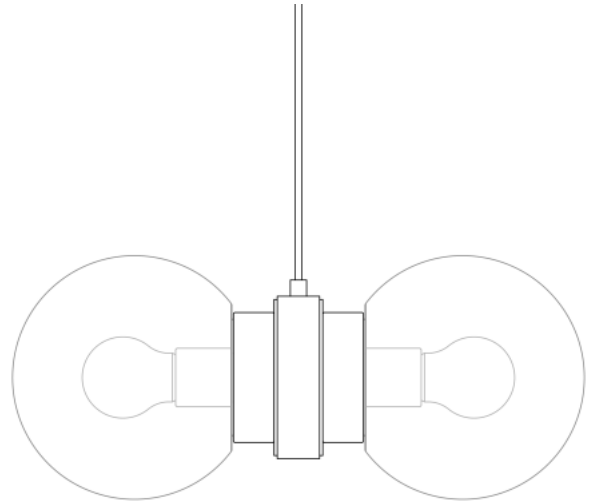


Product Notes:

1) Lamps not included with light fixture. 2) All products are individually hand crafted, therefore may differ slightly within manufacturing tolerances. 3) Please refer to: <http://www.mullanlighting.com/terms> for full list of Terms & Conditions. 4) Cable/Chain can be shortened during installation. 5) Longer Cable/Chain available on request. 6) Additional colour finishes available on request. 7) Dimensions do not include lamps. 8) Products wired to UL standards will operate at 110/120v with the appropriate lampholders.

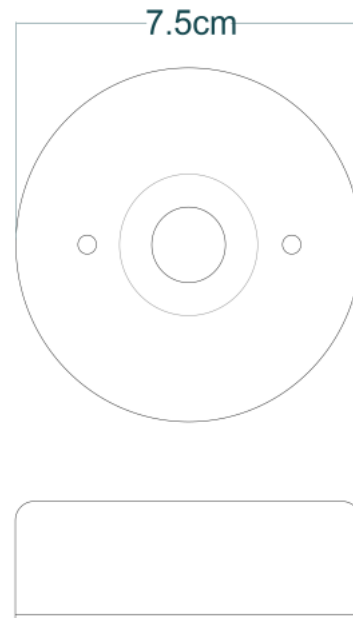
ESKE Pendant

MLP430SATBRSOP Satin Brass



MATERIAL	Brass Glass
HEIGHT	22cm 8.66"
WIDTH DIAMETER	15cm 5.91"
LENGTH PROJECTION	36cm 14.17"
WEIGHT	2.8KG 6.17lbs
LAMPHOLDER	E27 x 2
MAX WATTAGE	40W x 2
VOLTAGE	220/240v
IP RATING	20
CLASS PROTECTION	I
SHADE	GL167 x 2
FLEX BAR CHAIN LENGT	100cm 40"
CABLE TYPE	MLCA029 3 Core Round Black Braid PVC

Fixing Bracket MLWB13 | Satin Brass



Product Notes:

1) Lamps not included with light fixture. 2) All products are individually hand crafted, therefore may differ slightly within manufacturing tolerances. 3) Please refer to: <http://www.mullanlighting.com/terms> for full list of Terms & Conditions. 4) Cable/Chain can be shortened during installation. 5) Longer Cable/Chain available on request. 6) Additional colour finishes available on request. 7.) Dimensions do not include lamps. 8.) Products wired to UL standards will operate at 110/120v with the appropriate lampholders.