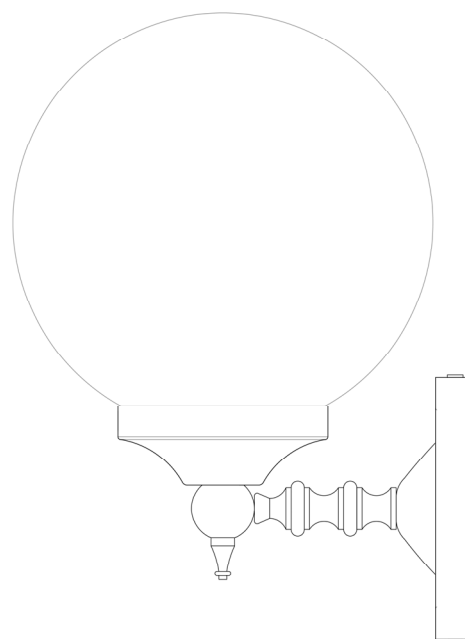


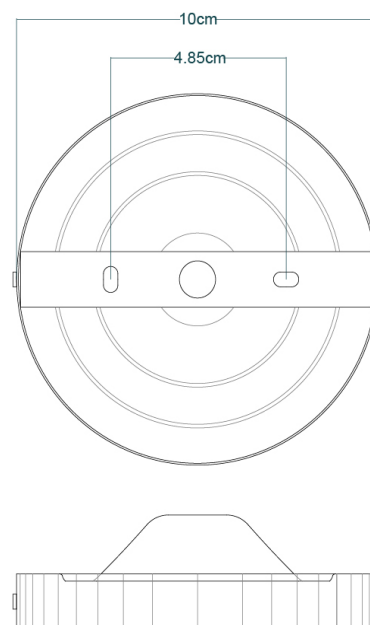
# CLOGHAN Wall Light

MLWL014ANTBRS    Antique Brass



MATERIAL	Brass   Glass
HEIGHT	20cm   7.87"
WIDTH   DIAMETER	14cm   5.51"
LENGTH   PROJECTION	16cm   6.3"
WEIGHT	0.35KG   0.77lbs
LAMPHOLDER	G9 x 1
MAX WATTAGE	6.5W x 1
VOLTAGE	220/240v
IP RATING	20
CLASS PROTECTION	I
SHADE	GL044F
FLEX   BAR   CHAIN LENGT	n/a
CABLE TYPE	-

Fixing Bracket    MLWB02 | Antique Brass

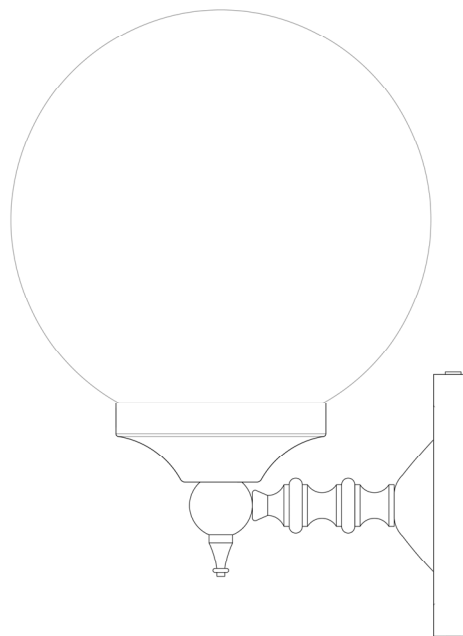


**Product Notes:**

1) Lamps not included with light fixture. 2) All products are individually hand crafted, therefore may differ slightly within manufacturing tolerances. 3) Please refer to: <http://www.mullanlighting.com/terms> for full list of Terms & Conditions. 4) Cable/Chain can be shortened during installation. 5) Longer Cable/Chain available on request. 6) Additional colour finishes available on request. 7.) Dimensions do not include lamps. 8.) Products wired to UL standards will operate at 110/120v with the appropriate lampholders.

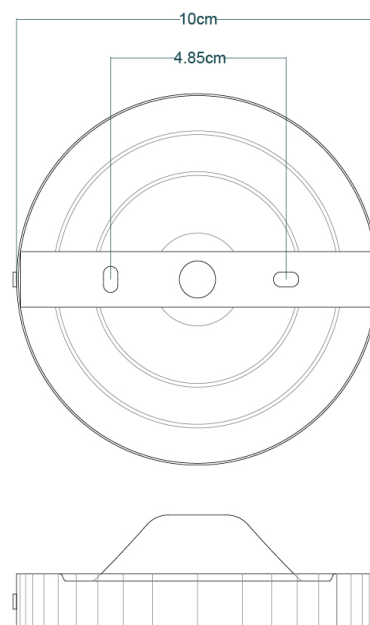
# CLOGHAN Wall Light

MLWL014ANTSLV Antique Silver



MATERIAL	Brass   Glass
HEIGHT	20cm   7.87"
WIDTH   DIAMETER	14cm   5.51"
LENGTH   PROJECTION	16cm   6.3"
WEIGHT	0.35KG   0.77lbs
LAMPHOLDER	G9 x 1
MAX WATTAGE	6.5W x 1
VOLTAGE	220/240v
IP RATING	20
CLASS PROTECTION	I
SHADE	GL044F
FLEX   BAR   CHAIN LENGT	n/a
CABLE TYPE	-

Fixing Bracket MLWB02 | Antique Silver

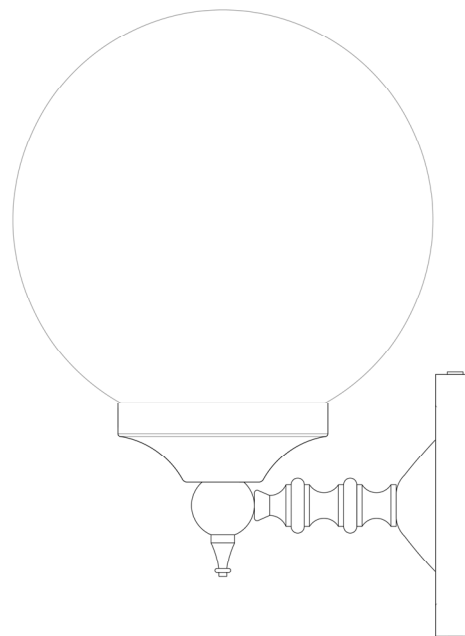


Product Notes:

1) Lamps not included with light fixture. 2) All products are individually hand crafted, therefore may differ slightly within manufacturing tolerances. 3) Please refer to: <http://www.mullanlighting.com/terms> for full list of Terms & Conditions. 4) Cable/Chain can be shortened during installation. 5) Longer Cable/Chain available on request. 6) Additional colour finishes available on request. 7.) Dimensions do not include lamps. 8.) Products wired to UL standards will operate at 110/120v with the appropriate lampholders.

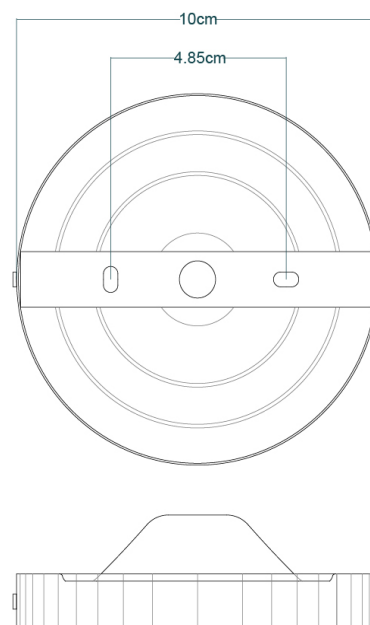
# CLOGHAN Wall Light

MLWL014POLBRS Polished Brass



MATERIAL	Brass   Glass
HEIGHT	20cm   7.87"
WIDTH   DIAMETER	14cm   5.51"
LENGTH   PROJECTION	16cm   6.3"
WEIGHT	0.35KG   0.77lbs
LAMPHOLDER	G9 x 1
MAX WATTAGE	6.5W x 1
VOLTAGE	220/240v
IP RATING	20
CLASS PROTECTION	I
SHADE	GL044F
FLEX   BAR   CHAIN LENGT	n/a
CABLE TYPE	-

Fixing Bracket MLWB02 | Polished Brass

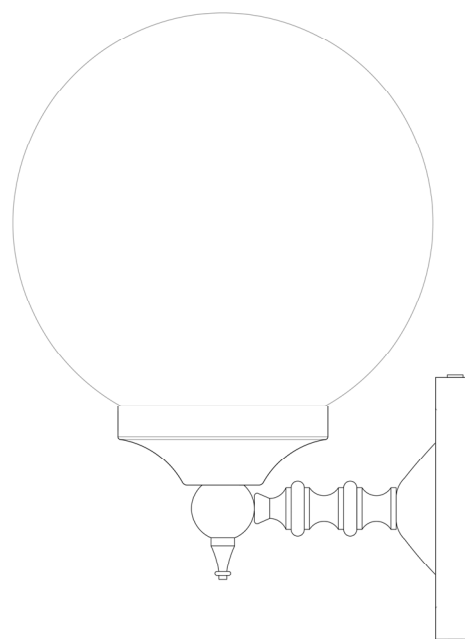


Product Notes:

1) Lamps not included with light fixture. 2) All products are individually hand crafted, therefore may differ slightly within manufacturing tolerances. 3) Please refer to: <http://www.mullanlighting.com/terms> for full list of Terms & Conditions. 4) Cable/Chain can be shortened during installation. 5) Longer Cable/Chain available on request. 6) Additional colour finishes available on request. 7.) Dimensions do not include lamps. 8.) Products wired to UL standards will operate at 110/120v with the appropriate lampholders.

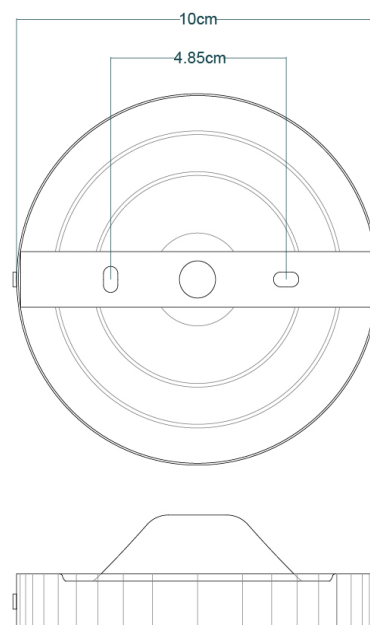
# CLOGHAN Wall Light

MLWL014SATBRS Satin Brass



MATERIAL	Brass   Glass
HEIGHT	20cm   7.87"
WIDTH   DIAMETER	14cm   5.51"
LENGTH   PROJECTION	16cm   6.3"
WEIGHT	0.35KG   0.77lbs
LAMPHOLDER	G9 x 1
MAX WATTAGE	6.5W x 1
VOLTAGE	220/240v
IP RATING	20
CLASS PROTECTION	I
SHADE	GL044F
FLEX   BAR   CHAIN LENGT	n/a
CABLE TYPE	-

Fixing Bracket MLWB02 | Satin Brass



Product Notes:

1) Lamps not included with light fixture. 2) All products are individually hand crafted, therefore may differ slightly within manufacturing tolerances. 3) Please refer to: <http://www.mullanlighting.com/terms> for full list of Terms & Conditions. 4) Cable/Chain can be shortened during installation. 5) Longer Cable/Chain available on request. 6) Additional colour finishes available on request. 7.) Dimensions do not include lamps. 8.) Products wired to UL standards will operate at 110/120v with the appropriate lampholders.