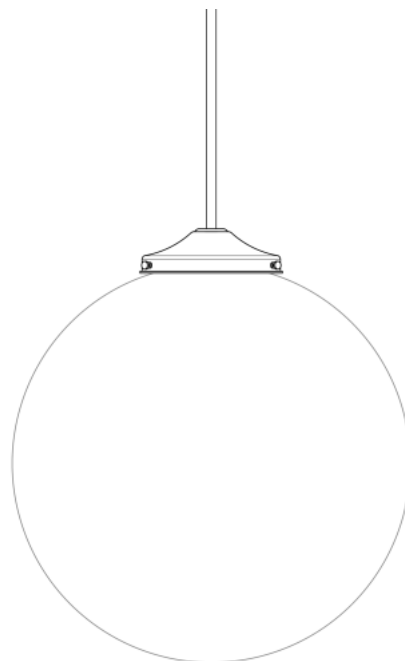


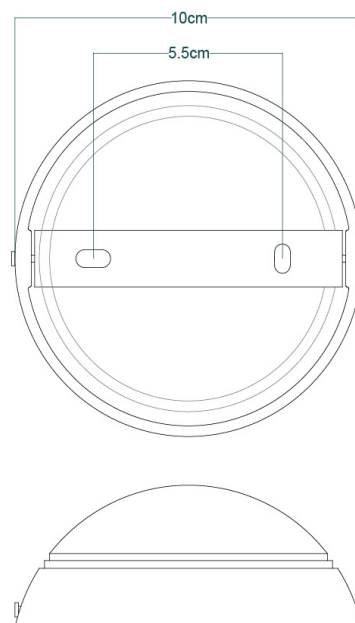
# LUANDA Pendant

MLP068ANTBRS    Antique Brass



MATERIAL	Brass   Glass
HEIGHT	46.5cm   18.31"
WIDTH   DIAMETER	40cm   15.75"
LENGTH   PROJECTION	n/a
WEIGHT	4.3KG   9.48lbs
LAMPHOLDER	E27 x 1
MAX WATTAGE	40W x 1
VOLTAGE	220/240v
IP RATING	20
CLASS PROTECTION	I
SHADE	GL044A
FLEX   BAR   CHAIN LENGT	100cm   40"
CABLE TYPE	-

Fixing Bracket    MLWB01 | Antique Brass

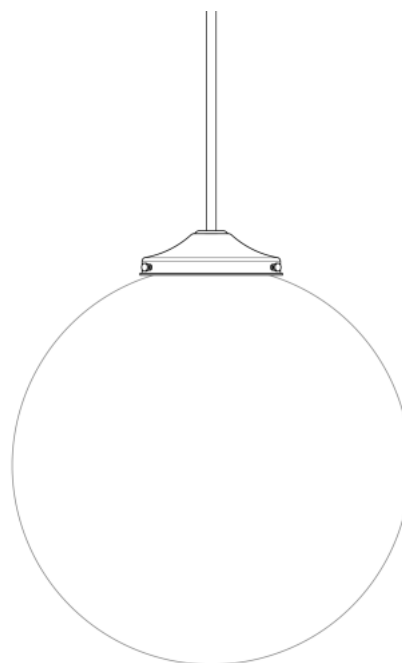


**Product Notes:**

1) Lamps not included with light fixture. 2) All products are individually hand crafted, therefore may differ slightly within manufacturing tolerances. 3) Please refer to: <http://www.mullanlighting.com/terms> for full list of Terms & Conditions. 4) Cable/Chain can be shortened during installation. 5) Longer Cable/Chain available on request. 6) Additional colour finishes available on request. 7.) Dimensions do not include lamps. 8.) Products wired to UL standards will operate at 110/120v with the appropriate lampholders.

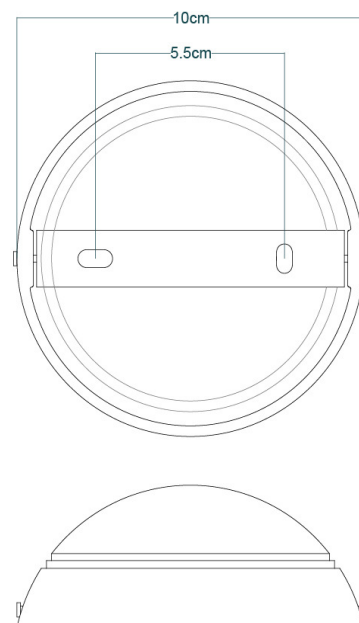
# LUANDA Pendant

MLP068ANTSLV    Antique Silver



MATERIAL	Brass   Glass
HEIGHT	46.5cm   18.31"
WIDTH   DIAMETER	40cm   15.75"
LENGTH   PROJECTION	n/a
WEIGHT	4.3KG   9.48lbs
LAMPHOLDER	E27 x 1
MAX WATTAGE	40W x 1
VOLTAGE	220/240v
IP RATING	20
CLASS PROTECTION	I
SHADE	GL044A
FLEX   BAR   CHAIN LENGT	100cm   40"
CABLE TYPE	-

Fixing Bracket    MLWB01 | Antique Silver

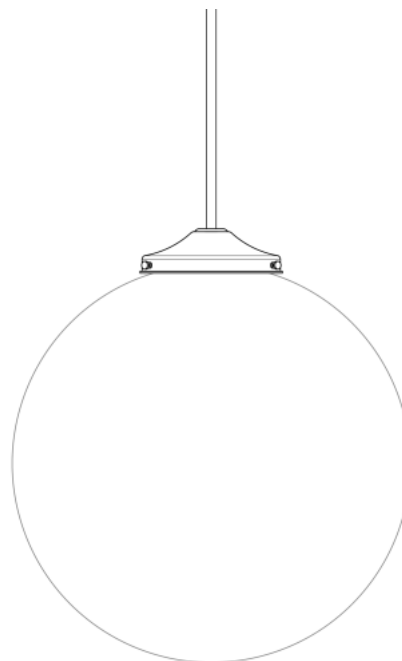


**Product Notes:**

1) Lamps not included with light fixture. 2) All products are individually hand crafted, therefore may differ slightly within manufacturing tolerances. 3) Please refer to: <http://www.mullanlighting.com/terms> for full list of Terms & Conditions. 4) Cable/Chain can be shortened during installation. 5) Longer Cable/Chain available on request. 6) Additional colour finishes available on request. 7.) Dimensions do not include lamps. 8.) Products wired to UL standards will operate at 110/120v with the appropriate lampholders.

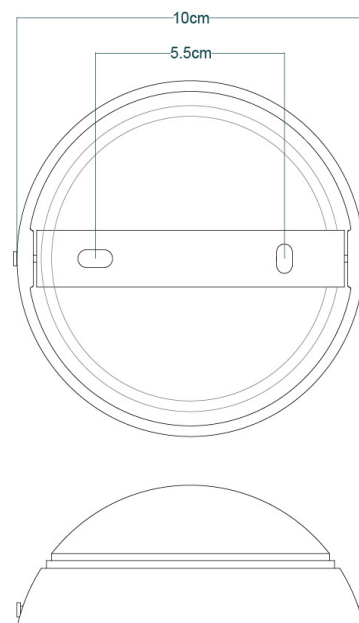
# LUANDA Pendant

MLP068POLBRS Polished Brass



MATERIAL	Brass   Glass
HEIGHT	46.5cm   18.31"
WIDTH   DIAMETER	40cm   15.75"
LENGTH   PROJECTION	n/a
WEIGHT	4.3KG   9.48lbs
LAMPHOLDER	E27 x 1
MAX WATTAGE	40W x 1
VOLTAGE	220/240v
IP RATING	20
CLASS PROTECTION	I
SHADE	GL044A
FLEX   BAR   CHAIN LENGT	100cm   40"
CABLE TYPE	-

Fixing Bracket MLWB01 | Polished Brass

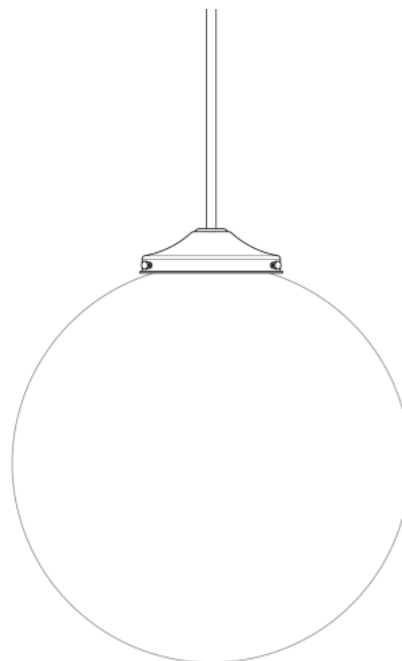


Product Notes:

1) Lamps not included with light fixture. 2) All products are individually hand crafted, therefore may differ slightly within manufacturing tolerances. 3) Please refer to: <http://www.mullanlighting.com/terms> for full list of Terms & Conditions. 4) Cable/Chain can be shortened during installation. 5) Longer Cable/Chain available on request. 6) Additional colour finishes available on request. 7.) Dimensions do not include lamps. 8.) Products wired to UL standards will operate at 110/120v with the appropriate lampholders.

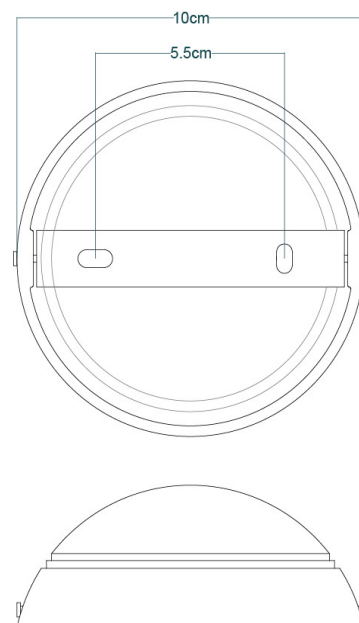
# LUANDA Pendant

MLP068SATBRS Satin Brass



MATERIAL	Brass   Glass
HEIGHT	46.5cm   18.31"
WIDTH   DIAMETER	40cm   15.75"
LENGTH   PROJECTION	n/a
WEIGHT	4.3KG   9.48lbs
LAMPHOLDER	E27 x 1
MAX WATTAGE	40W x 1
VOLTAGE	220/240v
IP RATING	20
CLASS PROTECTION	I
SHADE	GL044A
FLEX   BAR   CHAIN LENGT	100cm   40"
CABLE TYPE	-

Fixing Bracket MLWB01 | Satin Brass



**Product Notes:**

1) Lamps not included with light fixture. 2) All products are individually hand crafted, therefore may differ slightly within manufacturing tolerances. 3) Please refer to: <http://www.mullanlighting.com/terms> for full list of Terms & Conditions. 4) Cable/Chain can be shortened during installation. 5) Longer Cable/Chain available on request. 6) Additional colour finishes available on request. 7.) Dimensions do not include lamps. 8.) Products wired to UL standards will operate at 110/120v with the appropriate lampholders.