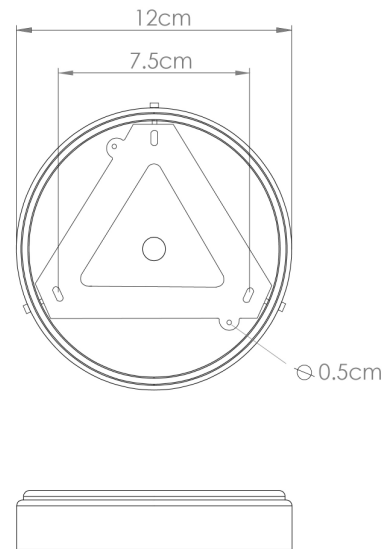


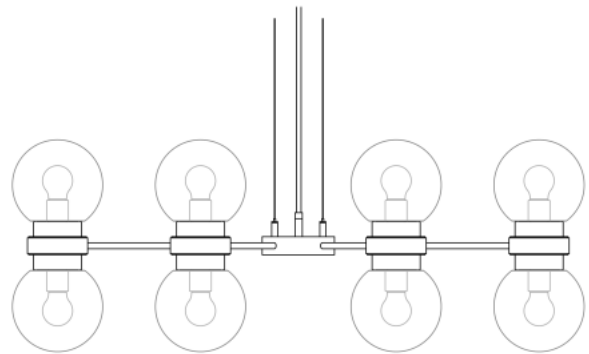
MATERIAL	Brass Glass
HEIGHT	41cm 16.14"
WIDTH DIAMETER	80cm 31.5"
LENGTH PROJECTION	n/a
WEIGHT	13.5KG 29.76lbs
LAMPHOLDER	E27 x 12
MAX WATTAGE	40W x 12
VOLTAGE	220/240v
IP RATING	20
CLASS PROTECTION	I
SHADE	GL166 x 12
FLEX BAR CHAIN LENGT	100cm 40"
CABLE TYPE	MLCA046 3 Core Round Brown Braid PVC

Fixing Bracket MLWB17 | Antique Brass



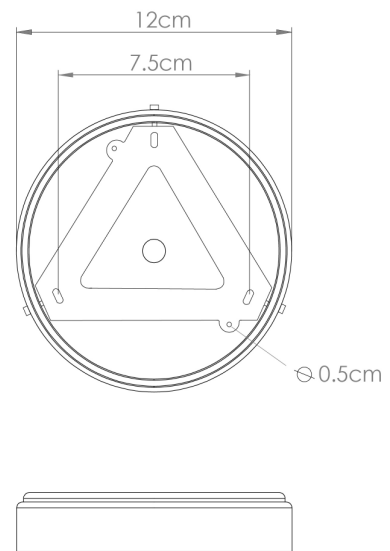
Product Notes:

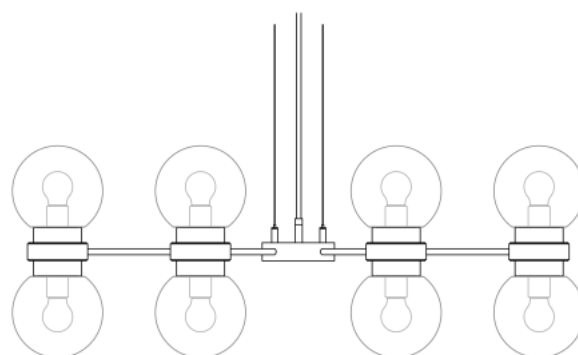
1) Lamps not included with light fixture. 2) All products are individually hand crafted, therefore may differ slightly within manufacturing tolerances. 3) Please refer to: <http://www.mullanlighting.com/terms> for full list of Terms & Conditions. 4) Cable/Chain can be shortened during installation. 5) Longer Cable/Chain available on request. 6) Additional colour finishes available on request. 7.) Dimensions do not include lamps. 8.) Products wired to UL standards will operate at 110/120v with the appropriate lampholders.



MATERIAL	Brass Glass
HEIGHT	41cm 16.14"
WIDTH DIAMETER	80cm 31.5"
LENGTH PROJECTION	n/a
WEIGHT	13.5KG 29.76lbs
LAMPHOLDER	E27 x 12
MAX WATTAGE	40W x 12
VOLTAGE	220/240v
IP RATING	20
CLASS PROTECTION	I
SHADE	GL167 x 12
FLEX BAR CHAIN LENGT	100cm 40"
CABLE TYPE	MLCA046 3 Core Round Brown Braid PVC

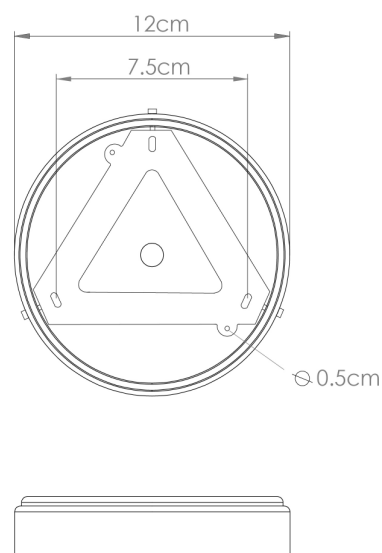
Fixing Bracket MLWB17 | Antique Brass





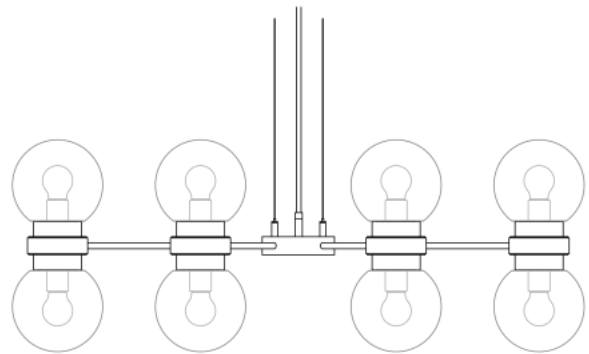
MATERIAL	Brass Glass
HEIGHT	41cm 16.14"
WIDTH DIAMETER	80cm 31.5"
LENGTH PROJECTION	n/a
WEIGHT	13.5KG 29.76lbs
LAMPHOLDER	E27 x 12
MAX WATTAGE	40W x 12
VOLTAGE	220/240v
IP RATING	20
CLASS PROTECTION	I
SHADE	GL166 x 12
FLEX BAR CHAIN LENGT	100cm 40"
CABLE TYPE	MLCA029 3 Core Round Black Braid PVC

Fixing Bracket MLWB17 | Antique Silver



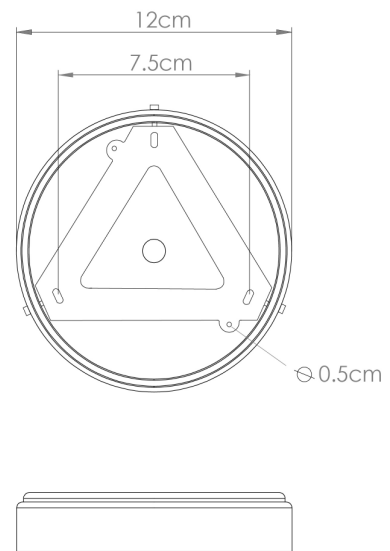
Product Notes:

1) Lamps not included with light fixture. 2) All products are individually hand crafted, therefore may differ slightly within manufacturing tolerances. 3) Please refer to: <http://www.mullanlighting.com/terms> for full list of Terms & Conditions. 4) Cable/Chain can be shortened during installation. 5) Longer Cable/Chain available on request. 6) Additional colour finishes available on request. 7.) Dimensions do not include lamps. 8.) Products wired to UL standards will operate at 110/120v with the appropriate lampholders.



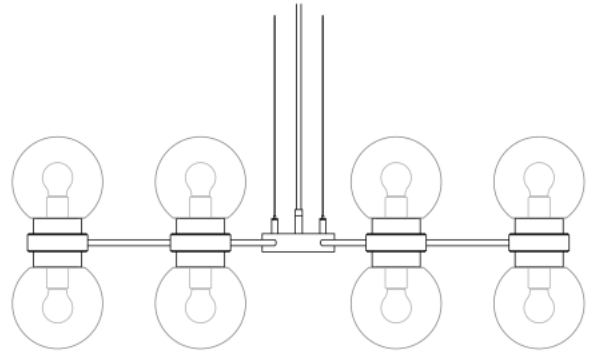
MATERIAL	Brass Glass
HEIGHT	41cm 16.14"
WIDTH DIAMETER	80cm 31.5"
LENGTH PROJECTION	n/a
WEIGHT	13.5KG 29.76lbs
LAMPHOLDER	E27 x 12
MAX WATTAGE	40W x 12
VOLTAGE	220/240v
IP RATING	20
CLASS PROTECTION	I
SHADE	GL167 x 12
FLEX BAR CHAIN LENGT	100cm 40"
CABLE TYPE	MLCA029 3 Core Round Black Braid PVC

Fixing Bracket MLWB17 | Antique Silver



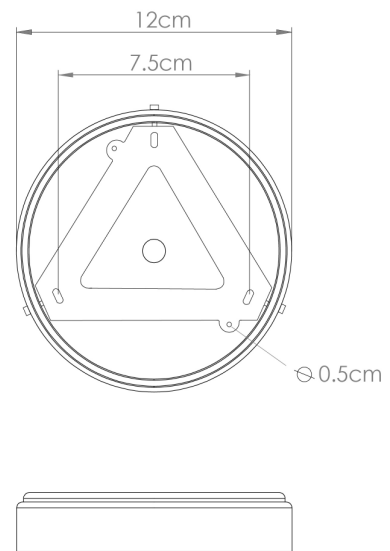
Product Notes:

1) Lamps not included with light fixture. 2) All products are individually hand crafted, therefore may differ slightly within manufacturing tolerances. 3) Please refer to: <http://www.mullanlighting.com/terms> for full list of Terms & Conditions. 4) Cable/Chain can be shortened during installation. 5) Longer Cable/Chain available on request. 6) Additional colour finishes available on request. 7.) Dimensions do not include lamps. 8.) Products wired to UL standards will operate at 110/120v with the appropriate lampholders.



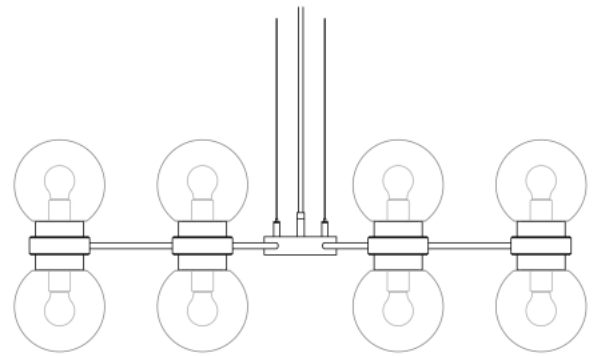
MATERIAL	Brass Glass
HEIGHT	41cm 16.14"
WIDTH DIAMETER	80cm 31.5"
LENGTH PROJECTION	n/a
WEIGHT	13.5KG 29.76lbs
LAMPHOLDER	E27 x 12
MAX WATTAGE	40W x 12
VOLTAGE	220/240v
IP RATING	20
CLASS PROTECTION	I
SHADE	GL166 x 12
FLEX BAR CHAIN LENGT	100cm 40"
CABLE TYPE	MLCA029 3 Core Round Black Braid PVC

Fixing Bracket MLWB17 | Polished Brass



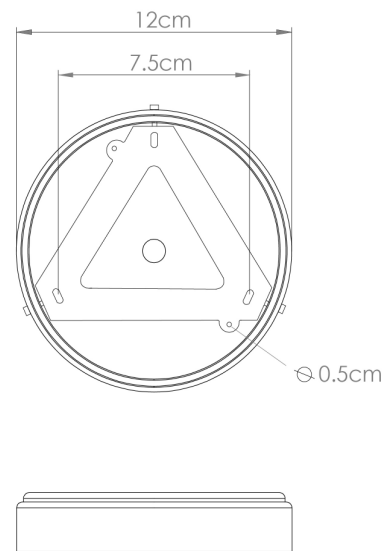
Product Notes:

1) Lamps not included with light fixture. 2) All products are individually hand crafted, therefore may differ slightly within manufacturing tolerances. 3) Please refer to: <http://www.mullanlighting.com/terms> for full list of Terms & Conditions. 4) Cable/Chain can be shortened during installation. 5) Longer Cable/Chain available on request. 6) Additional colour finishes available on request. 7.) Dimensions do not include lamps. 8.) Products wired to UL standards will operate at 110/120v with the appropriate lampholders.



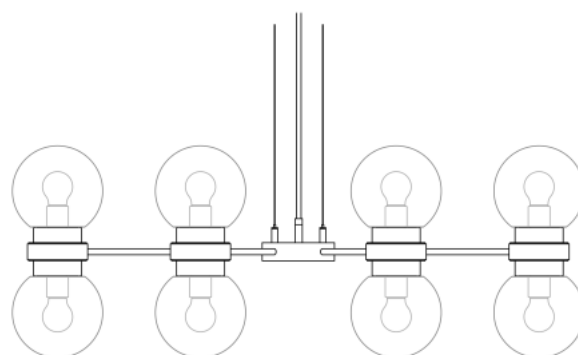
MATERIAL	Brass Glass
HEIGHT	41cm 16.14"
WIDTH DIAMETER	80cm 31.5"
LENGTH PROJECTION	n/a
WEIGHT	13.5KG 29.76lbs
LAMPHOLDER	E27 x 12
MAX WATTAGE	40W x 12
VOLTAGE	220/240v
IP RATING	20
CLASS PROTECTION	I
SHADE	GL167 x 12
FLEX BAR CHAIN LENGT	100cm 40"
CABLE TYPE	MLCA029 3 Core Round Black Braid PVC

Fixing Bracket MLWB17 | Polished Brass



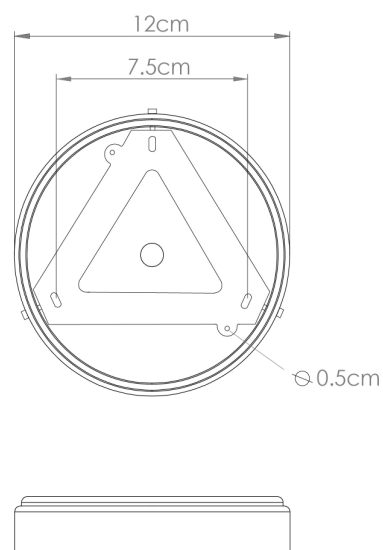
Product Notes:

1) Lamps not included with light fixture. 2) All products are individually hand crafted, therefore may differ slightly within manufacturing tolerances. 3) Please refer to: <http://www.mullanlighting.com/terms> for full list of Terms & Conditions. 4) Cable/Chain can be shortened during installation. 5) Longer Cable/Chain available on request. 6) Additional colour finishes available on request. 7.) Dimensions do not include lamps. 8.) Products wired to UL standards will operate at 110/120v with the appropriate lampholders.



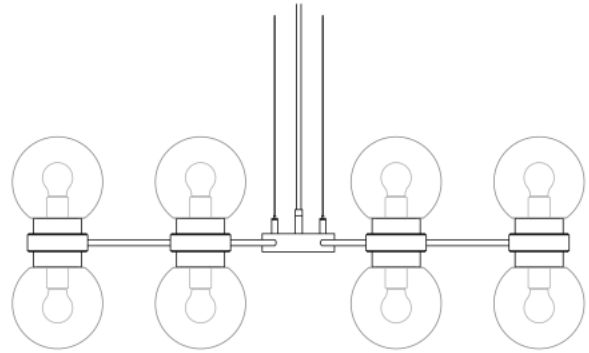
MATERIAL	Brass Glass
HEIGHT	41cm 16.14"
WIDTH DIAMETER	80cm 31.5"
LENGTH PROJECTION	n/a
WEIGHT	13.5KG 29.76lbs
LAMPHOLDER	E27 x 12
MAX WATTAGE	40W x 12
VOLTAGE	220/240v
IP RATING	20
CLASS PROTECTION	I
SHADE	GL166 x 12
FLEX BAR CHAIN LENGT	100cm 40"
CABLE TYPE	MLCA029 3 Core Round Black Braid PVC

Fixing Bracket MLWB17 | Satin Brass



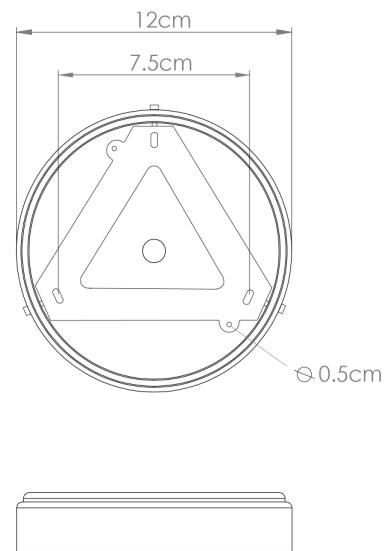
Product Notes:

1) Lamps not included with light fixture. 2) All products are individually hand crafted, therefore may differ slightly within manufacturing tolerances. 3) Please refer to: <http://www.mullanlighting.com/terms> for full list of Terms & Conditions. 4) Cable/Chain can be shortened during installation. 5) Longer Cable/Chain available on request. 6) Additional colour finishes available on request. 7.) Dimensions do not include lamps. 8.) Products wired to UL standards will operate at 110/120v with the appropriate lampholders.



MATERIAL	Brass Glass
HEIGHT	41cm 16.14"
WIDTH DIAMETER	80cm 31.5"
LENGTH PROJECTION	n/a
WEIGHT	13.5KG 29.76lbs
LAMPHOLDER	E27 x 12
MAX WATTAGE	40W x 12
VOLTAGE	220/240v
IP RATING	20
CLASS PROTECTION	I
SHADE	GL167 x 12
FLEX BAR CHAIN LENGT	100cm 40"
CABLE TYPE	MLCA029 3 Core Round Black Braid PVC

Fixing Bracket MLWB17 | Satin Brass



Product Notes:

1) Lamps not included with light fixture. 2) All products are individually hand crafted, therefore may differ slightly within manufacturing tolerances. 3) Please refer to: <http://www.mullanlighting.com/terms> for full list of Terms & Conditions. 4) Cable/Chain can be shortened during installation. 5) Longer Cable/Chain available on request. 6) Additional colour finishes available on request. 7.) Dimensions do not include lamps. 8.) Products wired to UL standards will operate at 110/120v with the appropriate lampholders.