

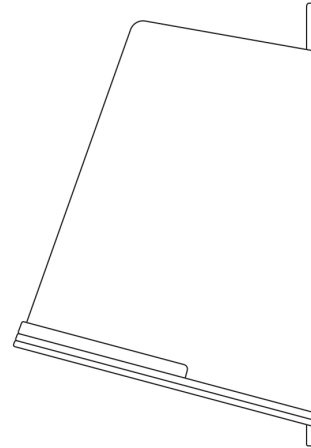
|                           |                        |
|---------------------------|------------------------|
| MATERIAL                  | Brass   Glass          |
| HEIGHT                    | 13cm   5.12"           |
| WIDTH   DIAMETER          | 9.5cm   3.74"          |
| LENGTH   PROJECTION       | 9cm   3.54"            |
| WEIGHT                    | 0.79KG   1.74lbs       |
| LAMP HOLDER               | GU10                   |
| MAX WATTAGE               | 6.5W x 1               |
| VOLTAGE                   | 220/240v or 110/120v * |
| IP RATING                 | 54                     |
| CLASS PROTECTION          | I                      |
| SHADE CODE                | -                      |
| CABLE   CHAIN   BAR LENGT | n/a                    |
| CABLE TYPE                | -                      |

### Fixing Bracket -

\* Fixing bracket may differ for UL wired products.

#### Product Notes:

1) Bulbs not included. 2) Dimensions do not include bulbs. 3) All products are individually made-to-order and therefore may differ slightly within manufacturing tolerances. 4) Cable / chain can be shortened during installation. Longer cable / chain lengths available on request. 5) Additional colour finishes may be available on request. 6) UL wired products operate at 110/120v with the appropriate lamp holder. 7) Twisted cable is not available for UL wired products. Round cable in black or brown only is supplied instead. 8) Refer to our website for a full list of terms and conditions.



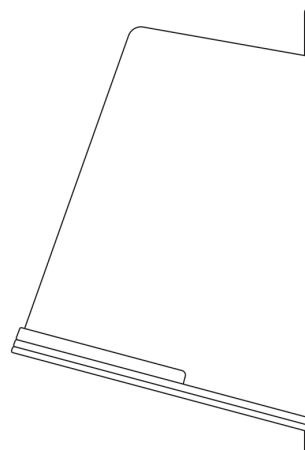
|                           |                        |
|---------------------------|------------------------|
| MATERIAL                  | Brass   Glass          |
| HEIGHT                    | 13 cm   5.12"          |
| WIDTH   DIAMETER          | 9.5 cm   3.74"         |
| LENGTH   PROJECTION       | 9 cm   3.54"           |
| WEIGHT                    | 0.79KG   1.74lbs       |
| LAMP HOLDER               | GU10                   |
| MAX WATTAGE               | 6.5W x 1               |
| VOLTAGE                   | 220/240v or 110/120v * |
| IP RATING                 | 54                     |
| CLASS PROTECTION          | I                      |
| SHADE CODE                | -                      |
| CABLE   CHAIN   BAR LENGT | n/a                    |
| CABLE TYPE                | -                      |

### Fixing Bracket -

\* Fixing bracket may differ for UL wired products.

#### Product Notes:

1) Bulbs not included. 2) Dimensions do not include bulbs. 3) All products are individually made-to-order and therefore may differ slightly within manufacturing tolerances. 4) Cable / chain can be shortened during installation. Longer cable / chain lengths available on request. 5) Additional colour finishes may be available on request. 6) UL wired products operate at 110/120v with the appropriate lamp holder. 7) Twisted cable is not available for UL wired products. Round cable in black or brown only is supplied instead. 8) Refer to our website for a full list of terms and conditions.



|                           |                        |
|---------------------------|------------------------|
| MATERIAL                  | Brass   Glass          |
| HEIGHT                    | 13cm   5.12"           |
| WIDTH   DIAMETER          | 9.5cm   3.74"          |
| LENGTH   PROJECTION       | 9cm   3.54"            |
| WEIGHT                    | 0.79KG   1.74lbs       |
| LAMP HOLDER               | GU10                   |
| MAX WATTAGE               | 6.5W x 1               |
| VOLTAGE                   | 220/240v or 110/120v * |
| IP RATING                 | 54                     |
| CLASS PROTECTION          | I                      |
| SHADE CODE                | -                      |
| CABLE   CHAIN   BAR LENGT | n/a                    |
| CABLE TYPE                | -                      |

Fixing Bracket -

\* Fixing bracket may differ for UL wired products.

Product Notes:

1) Bulbs not included. 2) Dimensions do not include bulbs. 3) All products are individually made-to-order and therefore may differ slightly within manufacturing tolerances. 4) Cable / chain can be shortened during installation. Longer cable / chain lengths available on request. 5) Additional colour finishes may be available on request. 6) UL wired products operate at 110/120v with the appropriate lamp holder. 7) Twisted cable is not available for UL wired products. Round cable in black or brown only is supplied instead. 8) Refer to our website for a full list of terms and conditions.