

MATERIAL	Brass Glass
HEIGHT	14cm 5.51"
WIDTH DIAMETER	10.5cm 4.13"
LENGTH PROJECTION	14cm 5.51"
WEIGHT	0.95KG 2.09lbs
LAMPHOLDER	GU10 x 1
MAX WATTAGE	6.5W x 1
VOLTAGE	220/240v
IP RATING	20
CLASS PROTECTION	I
SHADE	-
FLEX BAR CHAIN LENGT	n/a
CABLE TYPE	-

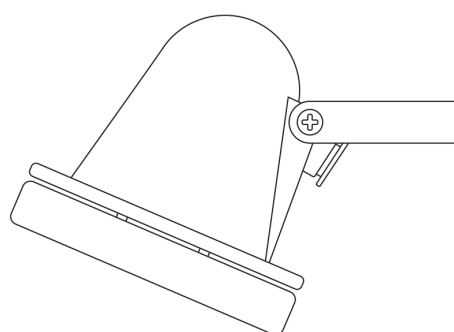
Fixing Bracket -

Product Notes:

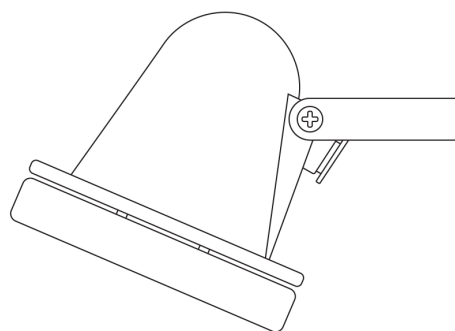
1) Lamps not included with light fixture. 2) All products are individually hand crafted, therefore may differ slightly within manufacturing tolerances. 3) Please refer to: <http://www.mullanlighting.com/terms> for full list of Terms & Conditions. 4) Cable/Chain can be shortened during installation. 5) Longer Cable/Chain available on request. 6) Additional colour finishes available on request. 7.) Dimensions do not include lamps. 8.) Products wired to UL standards will operate at 110/120v with the appropriate lampholders.



POWDER-COATED
MATTE BLACK



MATERIAL	Brass Glass	Fixing Bracket -
HEIGHT	14 cm 5.51"	
WIDTH DIAMETER	10.5 cm 4.13"	
LENGTH PROJECTION	14 cm 5.51"	
WEIGHT	0.95KG 2.09lbs	
LAMPHOLDER	GU10 x 1	
MAX WATTAGE	6.5W x 1	
VOLTAGE	220/240v	
IP RATING	64	
CLASS PROTECTION	I	
SHADE	-	
FLEX BAR CHAIN LENGT	n/a	
CABLE TYPE	-	



MATERIAL	Brass Glass
HEIGHT	14cm 5.51"
WIDTH DIAMETER	10.5cm 4.13"
LENGTH PROJECTION	14cm 5.51"
WEIGHT	0.95KG 2.09lbs
LAMPHOLDER	GU10 x 1
MAX WATTAGE	6.5W x 1
VOLTAGE	220/240v
IP RATING	64
CLASS PROTECTION	I
SHADE	-
FLEX BAR CHAIN LENGT	n/a
CABLE TYPE	-

Fixing Bracket -

Product Notes:

1) Lamps not included with light fixture. 2) All products are individually hand crafted, therefore may differ slightly within manufacturing tolerances. 3) Please refer to: <http://www.mullanlighting.com/terms> for full list of Terms & Conditions. 4) Cable/Chain can be shortened during installation. 5) Longer Cable/Chain available on request. 6) Additional colour finishes available on request. 7.) Dimensions do not include lamps. 8.) Products wired to UL standards will operate at 110/120v with the appropriate lampholders.