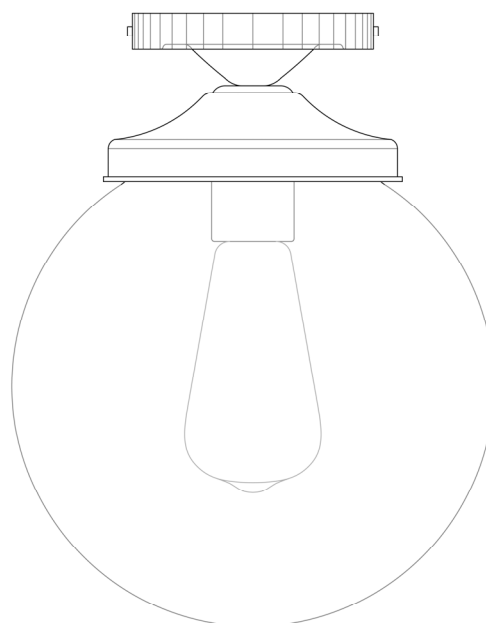


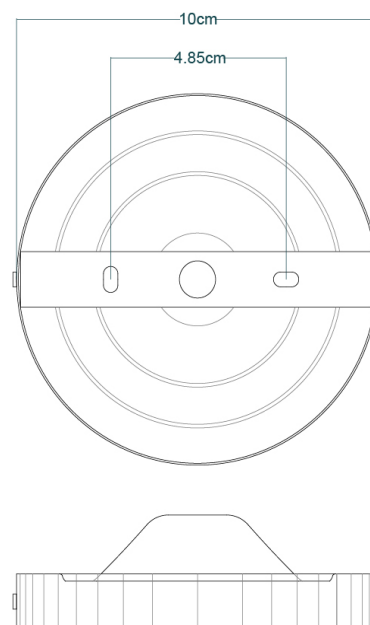
# RIAD 20CM Ceiling Light

MLCF33ANTBRS Antique Brass



MATERIAL	Brass   Glass
HEIGHT	27cm   10.63"
WIDTH   DIAMETER	20cm   7.87"
LENGTH   PROJECTION	n/a
WEIGHT	0.77KG   1.7lbs
LAMPHOLDER	E27 x 1
MAX WATTAGE	60W x 1
VOLTAGE	220/240v
IP RATING	20
CLASS PROTECTION	I
SHADE	GL131
FLEX   BAR   CHAIN LENGT	n/a
CABLE TYPE	-

Fixing Bracket MLWB02 | Antique Brass

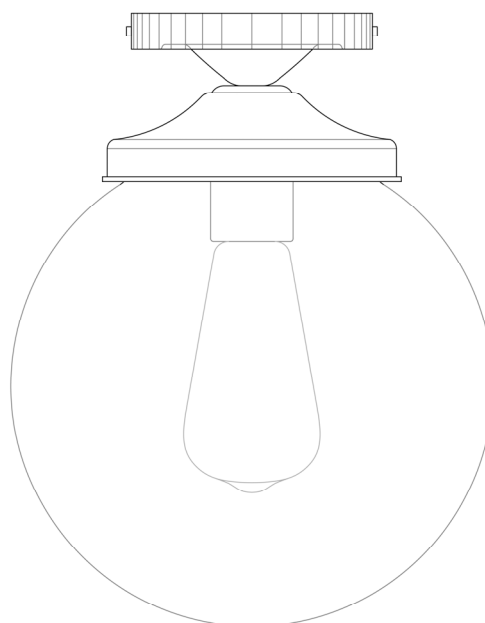


Product Notes:

1) Lamps not included with light fixture. 2) All products are individually hand crafted, therefore may differ slightly within manufacturing tolerances. 3) Please refer to: <http://www.mullanlighting.com/terms> for full list of Terms & Conditions. 4) Cable/Chain can be shortened during installation. 5) Longer Cable/Chain available on request. 6) Additional colour finishes available on request. 7.) Dimensions do not include lamps. 8.) Products wired to UL standards will operate at 110/120v with the appropriate lampholders.

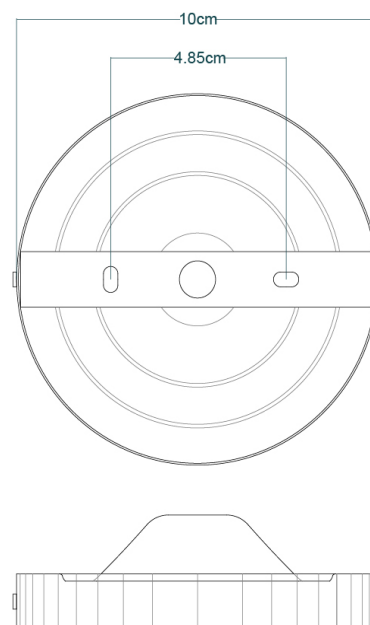
# RIAD 20CM Ceiling Light

MLCF33ANTSLV Antique Silver



MATERIAL	Brass   Glass
HEIGHT	27cm   10.63"
WIDTH   DIAMETER	20cm   7.87"
LENGTH   PROJECTION	n/a
WEIGHT	0.77KG   1.7lbs
LAMPHOLDER	E27 x 1
MAX WATTAGE	60W x 1
VOLTAGE	220/240v
IP RATING	20
CLASS PROTECTION	I
SHADE	GL131
FLEX   BAR   CHAIN LENGT	n/a
CABLE TYPE	-

Fixing Bracket MLWB02 | Antique Silver

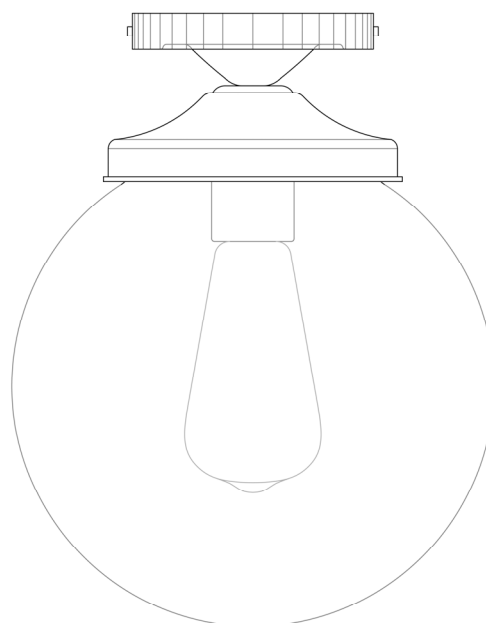


**Product Notes:**

1) Lamps not included with light fixture. 2) All products are individually hand crafted, therefore may differ slightly within manufacturing tolerances. 3) Please refer to: <http://www.mullanlighting.com/terms> for full list of Terms & Conditions. 4) Cable/Chain can be shortened during installation. 5) Longer Cable/Chain available on request. 6) Additional colour finishes available on request. 7.) Dimensions do not include lamps. 8.) Products wired to UL standards will operate at 110/120v with the appropriate lampholders.

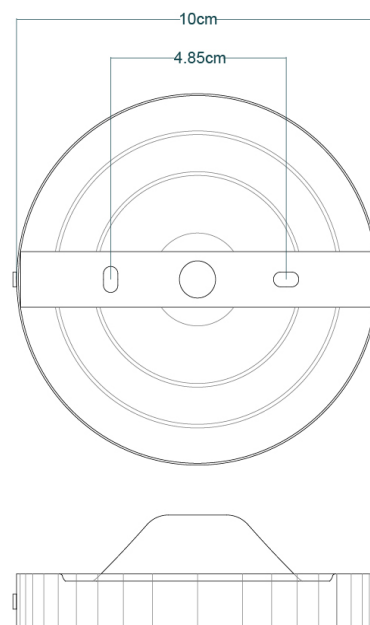
# RIAD 20CM Ceiling Light

MLCF33POLBRS Polished Brass



MATERIAL	Brass   Glass
HEIGHT	27cm   10.63"
WIDTH   DIAMETER	20cm   7.87"
LENGTH   PROJECTION	n/a
WEIGHT	0.77KG   1.7lbs
LAMPHOLDER	E27 x 1
MAX WATTAGE	60W x 1
VOLTAGE	220/240v
IP RATING	20
CLASS PROTECTION	I
SHADE	GL131
FLEX   BAR   CHAIN LENGT	n/a
CABLE TYPE	-

Fixing Bracket MLWB02 | Polished Brass

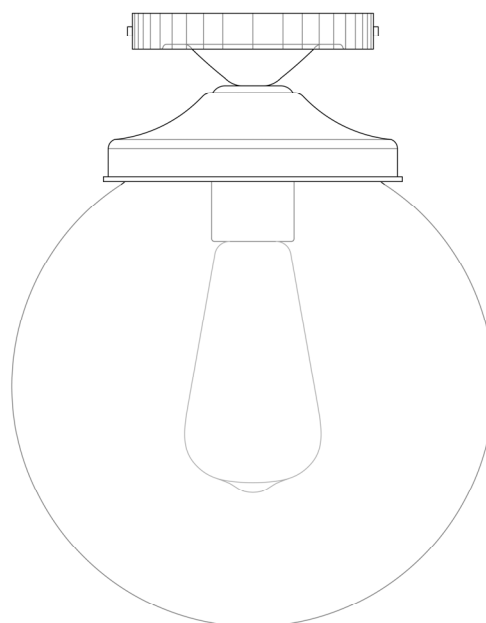


Product Notes:

1) Lamps not included with light fixture. 2) All products are individually hand crafted, therefore may differ slightly within manufacturing tolerances. 3) Please refer to: <http://www.mullanlighting.com/terms> for full list of Terms & Conditions. 4) Cable/Chain can be shortened during installation. 5) Longer Cable/Chain available on request. 6) Additional colour finishes available on request. 7.) Dimensions do not include lamps. 8.) Products wired to UL standards will operate at 110/120v with the appropriate lampholders.

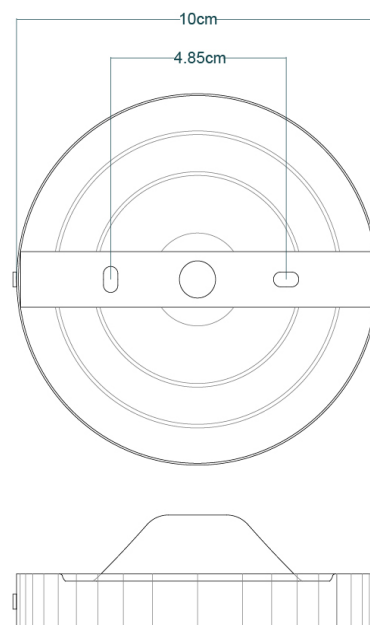
# RIAD 20CM Ceiling Light

MLCF33POLCHR Polished Chrome



MATERIAL	Brass   Glass
HEIGHT	27cm   10.63"
WIDTH   DIAMETER	20cm   7.87"
LENGTH   PROJECTION	n/a
WEIGHT	0.77KG   1.7lbs
LAMPHOLDER	E27 x 1
MAX WATTAGE	60W x 1
VOLTAGE	220/240v
IP RATING	20
CLASS PROTECTION	I
SHADE	GL131
FLEX   BAR   CHAIN LENGT	n/a
CABLE TYPE	-

Fixing Bracket MLWB02 | Polished Chrome

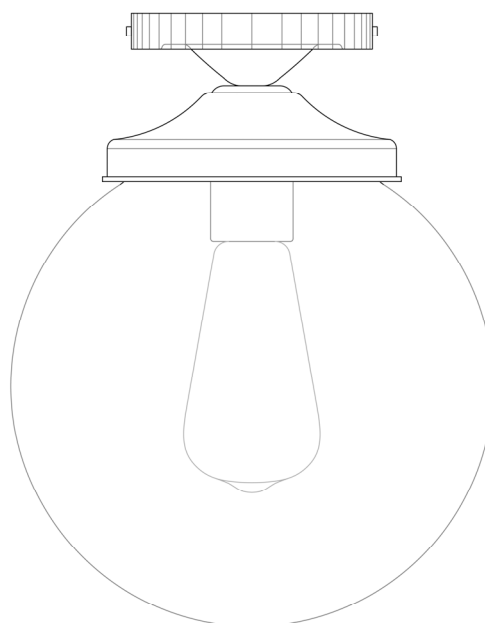


Product Notes:

1) Lamps not included with light fixture. 2) All products are individually hand crafted, therefore may differ slightly within manufacturing tolerances. 3) Please refer to: <http://www.mullanlighting.com/terms> for full list of Terms & Conditions. 4) Cable/Chain can be shortened during installation. 5) Longer Cable/Chain available on request. 6) Additional colour finishes available on request. 7.) Dimensions do not include lamps. 8.) Products wired to UL standards will operate at 110/120v with the appropriate lampholders.

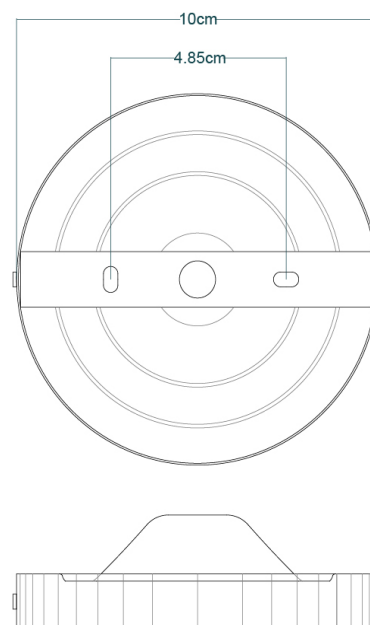
# RIAD 20CM Ceiling Light

MLCF33SATBRS Satin Brass



MATERIAL	Brass   Glass
HEIGHT	27cm   10.63"
WIDTH   DIAMETER	20cm   7.87"
LENGTH   PROJECTION	n/a
WEIGHT	0.77KG   1.7lbs
LAMPHOLDER	E27 x 1
MAX WATTAGE	60W x 1
VOLTAGE	220/240v
IP RATING	20
CLASS PROTECTION	I
SHADE	GL131
FLEX   BAR   CHAIN LENGT	n/a
CABLE TYPE	-

Fixing Bracket MLWB02 | Satin Brass

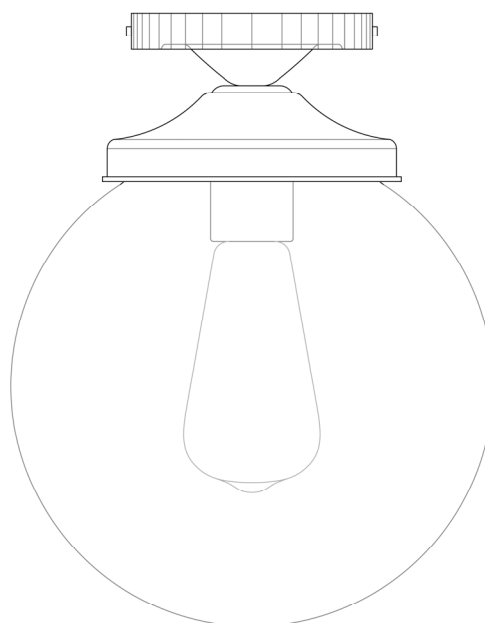


Product Notes:

1) Lamps not included with light fixture. 2) All products are individually hand crafted, therefore may differ slightly within manufacturing tolerances. 3) Please refer to: <http://www.mullanlighting.com/terms> for full list of Terms & Conditions. 4) Cable/Chain can be shortened during installation. 5) Longer Cable/Chain available on request. 6) Additional colour finishes available on request. 7.) Dimensions do not include lamps. 8.) Products wired to UL standards will operate at 110/120v with the appropriate lampholders.

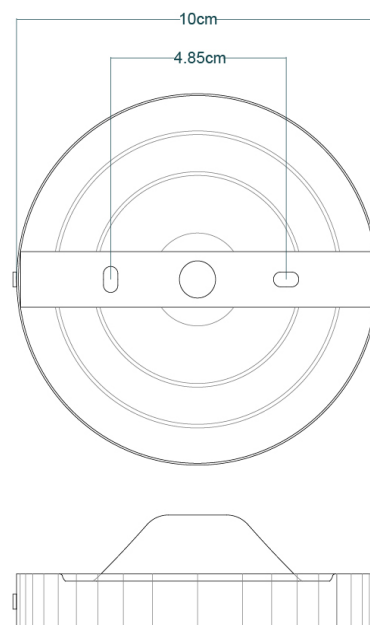
# RIAD 20CM Ceiling Light

MLCF33SATCHR Satin Chrome



MATERIAL	Brass   Glass
HEIGHT	27cm   10.63"
WIDTH   DIAMETER	20cm   7.87"
LENGTH   PROJECTION	n/a
WEIGHT	0.77KG   1.7lbs
LAMPHOLDER	E27 x 1
MAX WATTAGE	60W x 1
VOLTAGE	220/240v
IP RATING	20
CLASS PROTECTION	I
SHADE	GL131
FLEX   BAR   CHAIN LENGT	n/a
CABLE TYPE	-

Fixing Bracket MLWB02 | Satin Chrome



**Product Notes:**

1) Lamps not included with light fixture. 2) All products are individually hand crafted, therefore may differ slightly within manufacturing tolerances. 3) Please refer to: <http://www.mullanlighting.com/terms> for full list of Terms & Conditions. 4) Cable/Chain can be shortened during installation. 5) Longer Cable/Chain available on request. 6) Additional colour finishes available on request. 7.) Dimensions do not include lamps. 8.) Products wired to UL standards will operate at 110/120v with the appropriate lampholders.