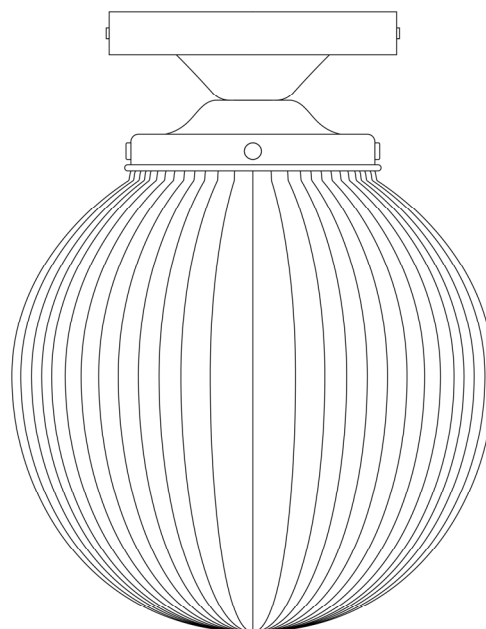


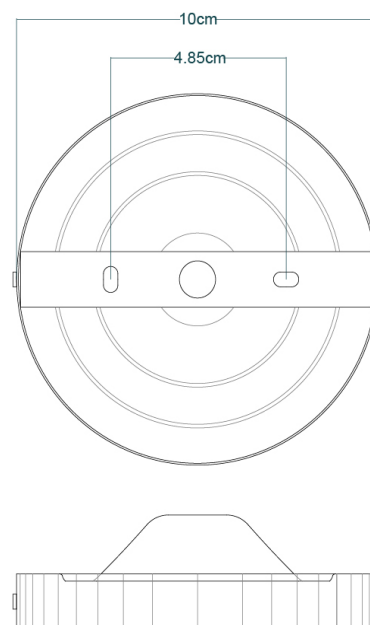
# STANLEY HOLO Ceiling Light

MLCF37ANTBRS    Antique Brass



MATERIAL	Brass   Glass
HEIGHT	28cm   11.02"
WIDTH   DIAMETER	20cm   7.87"
LENGTH   PROJECTION	n/a
WEIGHT	0.78KG   1.72lbs
LAMPHOLDER	E27 x 1
MAX WATTAGE	40W x 1
VOLTAGE	220/240v
IP RATING	20
CLASS PROTECTION	I
SHADE	GL155
FLEX   BAR   CHAIN LENGT	n/a
CABLE TYPE	-

Fixing Bracket    MLWB02 | Antique Brass

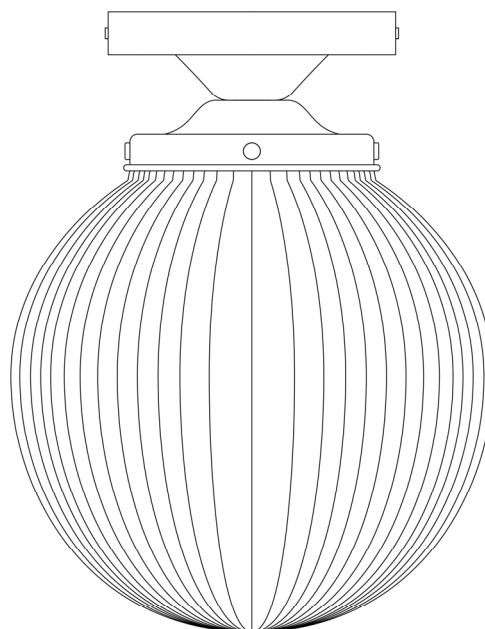


**Product Notes:**

1) Lamps not included with light fixture. 2) All products are individually hand crafted, therefore may differ slightly within manufacturing tolerances. 3) Please refer to: <http://www.mullanlighting.com/terms> for full list of Terms & Conditions. 4) Cable/Chain can be shortened during installation. 5) Longer Cable/Chain available on request. 6) Additional colour finishes available on request. 7.) Dimensions do not include lamps. 8.) Products wired to UL standards will operate at 110/120v with the appropriate lampholders.

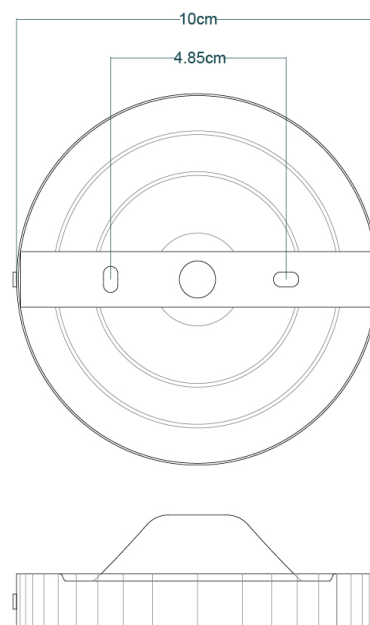
# STANLEY HOLO Ceiling Light

MLCF37ANTSLV Antique Silver



MATERIAL	Brass   Glass
HEIGHT	28cm   11.02"
WIDTH   DIAMETER	20cm   7.87"
LENGTH   PROJECTION	n/a
WEIGHT	0.78KG   1.72lbs
LAMPHOLDER	E27 x 1
MAX WATTAGE	40W x 1
VOLTAGE	220/240v
IP RATING	20
CLASS PROTECTION	I
SHADE	GL155
FLEX   BAR   CHAIN LENGT	n/a
CABLE TYPE	-

Fixing Bracket MLWB02 | Antique Silver

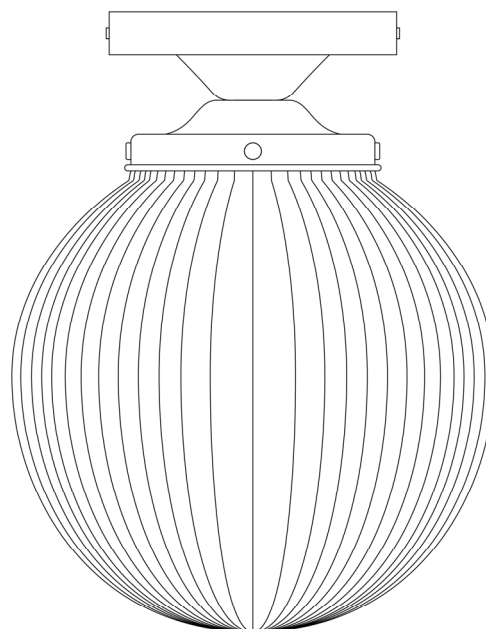


Product Notes:

1) Lamps not included with light fixture. 2) All products are individually hand crafted, therefore may differ slightly within manufacturing tolerances. 3) Please refer to: <http://www.mullanlighting.com/terms> for full list of Terms & Conditions. 4) Cable/Chain can be shortened during installation. 5) Longer Cable/Chain available on request. 6) Additional colour finishes available on request. 7.) Dimensions do not include lamps. 8.) Products wired to UL standards will operate at 110/120v with the appropriate lampholders.

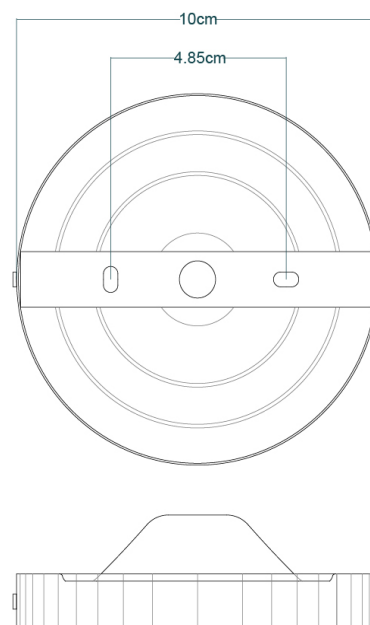
# STANLEY HOLO Ceiling Light

MLCF37POLBRS Polished Brass



MATERIAL	Brass   Glass
HEIGHT	28cm   11.02"
WIDTH   DIAMETER	20cm   7.87"
LENGTH   PROJECTION	n/a
WEIGHT	0.78KG   1.72lbs
LAMPHOLDER	E27 x 1
MAX WATTAGE	40W x 1
VOLTAGE	220/240v
IP RATING	20
CLASS PROTECTION	I
SHADE	GL155
FLEX   BAR   CHAIN LENGT	n/a
CABLE TYPE	-

Fixing Bracket MLWB02 | Polished Brass

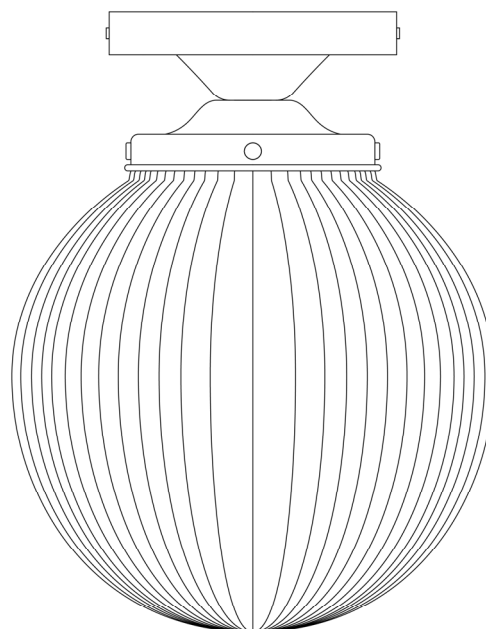


Product Notes:

1) Lamps not included with light fixture. 2) All products are individually hand crafted, therefore may differ slightly within manufacturing tolerances. 3) Please refer to: <http://www.mullanlighting.com/terms> for full list of Terms & Conditions. 4) Cable/Chain can be shortened during installation. 5) Longer Cable/Chain available on request. 6) Additional colour finishes available on request. 7.) Dimensions do not include lamps. 8.) Products wired to UL standards will operate at 110/120v with the appropriate lampholders.

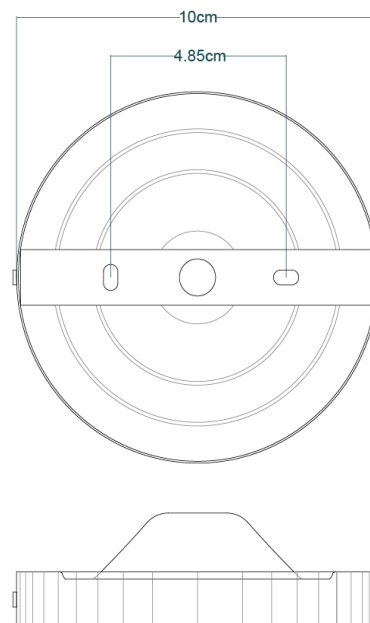
# STANLEY HOLO Ceiling Light

MLCF37POLCHR Polished Chrome



MATERIAL	Brass   Glass
HEIGHT	28cm   11.02"
WIDTH   DIAMETER	20cm   7.87"
LENGTH   PROJECTION	n/a
WEIGHT	0.78KG   1.72lbs
LAMPHOLDER	E27 x 1
MAX WATTAGE	40W x 1
VOLTAGE	220/240v
IP RATING	20
CLASS PROTECTION	I
SHADE	GL155
FLEX   BAR   CHAIN LENGT	n/a
CABLE TYPE	-

Fixing Bracket MLWB02 | Polished Chrome

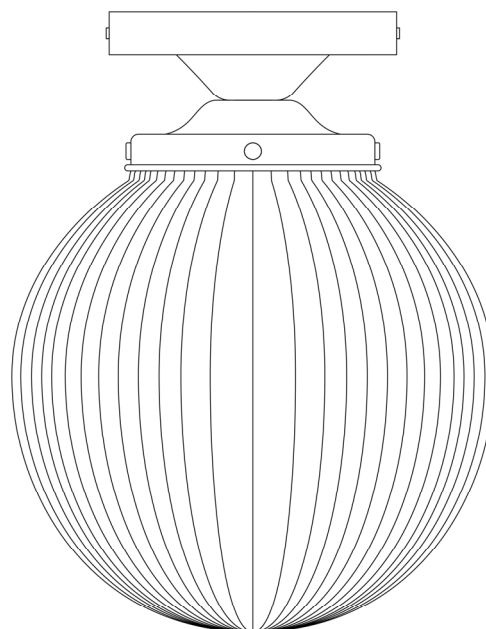


**Product Notes:**

1) Lamps not included with light fixture. 2) All products are individually hand crafted, therefore may differ slightly within manufacturing tolerances. 3) Please refer to: <http://www.mullanlighting.com/terms> for full list of Terms & Conditions. 4) Cable/Chain can be shortened during installation. 5) Longer Cable/Chain available on request. 6) Additional colour finishes available on request. 7.) Dimensions do not include lamps. 8.) Products wired to UL standards will operate at 110/120v with the appropriate lampholders.

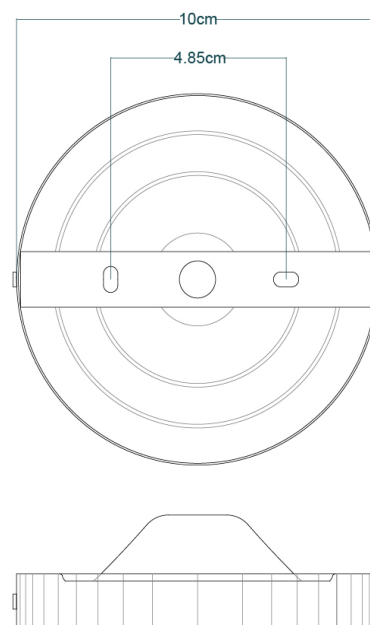
# STANLEY HOLO Ceiling Light

MLCF37SATBRS Satin Brass



MATERIAL	Brass   Glass
HEIGHT	28cm   11.02"
WIDTH   DIAMETER	20cm   7.87"
LENGTH   PROJECTION	n/a
WEIGHT	0.78KG   1.72lbs
LAMPHOLDER	E27 x 1
MAX WATTAGE	40W x 1
VOLTAGE	220/240v
IP RATING	20
CLASS PROTECTION	I
SHADE	GL155
FLEX   BAR   CHAIN LENGT	n/a
CABLE TYPE	-

Fixing Bracket MLWB02 | Satin Brass



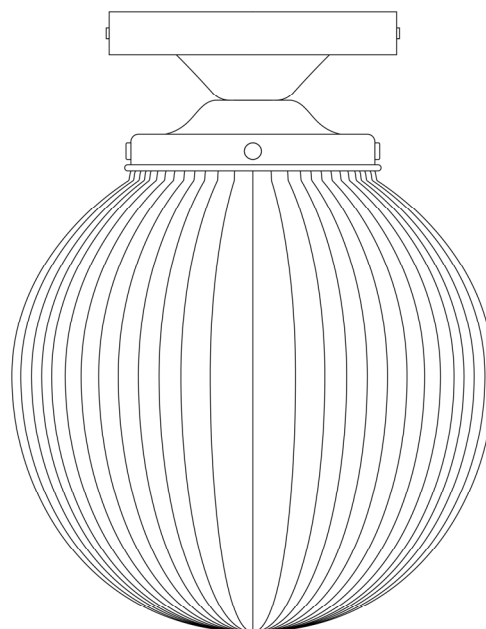
**Product Notes:**

1) Lamps not included with light fixture. 2) All products are individually hand crafted, therefore may differ slightly within manufacturing tolerances. 3) Please refer to: <http://www.mullanlighting.com/terms> for full list of Terms & Conditions. 4) Cable/Chain can be shortened during installation. 5) Longer Cable/Chain available on request. 6) Additional colour finishes available on request. 7.) Dimensions do not include lamps. 8.) Products wired to UL standards will operate at 110/120v with the appropriate lampholders.



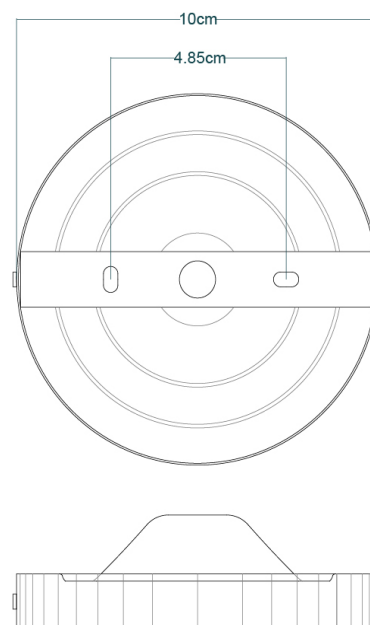
# STANLEY HOLO Ceiling Light

MLCF37SATCHR Satin Chrome



MATERIAL	Brass   Glass
HEIGHT	28cm   11.02"
WIDTH   DIAMETER	20cm   7.87"
LENGTH   PROJECTION	n/a
WEIGHT	0.78KG   1.72lbs
LAMPHOLDER	E27 x 1
MAX WATTAGE	40W x 1
VOLTAGE	220/240v
IP RATING	20
CLASS PROTECTION	I
SHADE	GL155
FLEX   BAR   CHAIN LENGT	n/a
CABLE TYPE	-

Fixing Bracket MLWB02 | Satin Chrome



**Product Notes:**

1) Lamps not included with light fixture. 2) All products are individually hand crafted, therefore may differ slightly within manufacturing tolerances. 3) Please refer to: <http://www.mullanlighting.com/terms> for full list of Terms & Conditions. 4) Cable/Chain can be shortened during installation. 5) Longer Cable/Chain available on request. 6) Additional colour finishes available on request. 7.) Dimensions do not include lamps. 8.) Products wired to UL standards will operate at 110/120v with the appropriate lampholders.