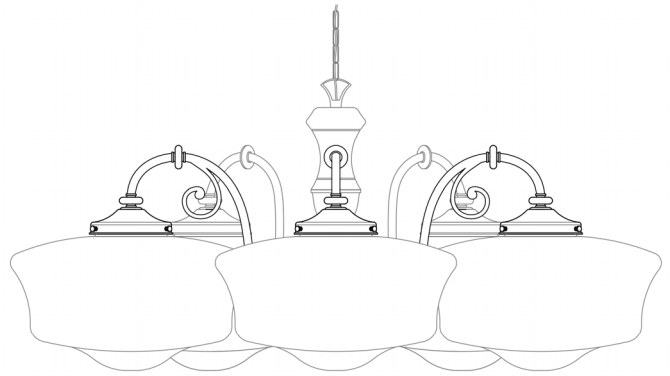


CLONES Chandelier

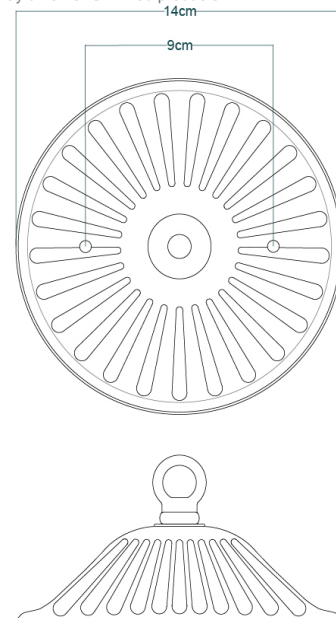
MLF200ANTBRS Antique Brass



MATERIAL	Brass Glass
HEIGHT	50cm 19.69"
WIDTH DIAMETER	110cm 43.31"
LENGTH PROJECTION	n/a
WEIGHT	20KG 44.09lbs
LAMP HOLDER	E27 or E26 *
MAX WATTAGE	60W x 5
VOLTAGE	220/240v or 110/120v *
IP RATING	20
CLASS PROTECTION	I
SHADE CODE	GL041A x 5
CABLE CHAIN BAR LENGT	100cm 40"
CABLE TYPE	MLCA036 3 Core Round Brown PVC

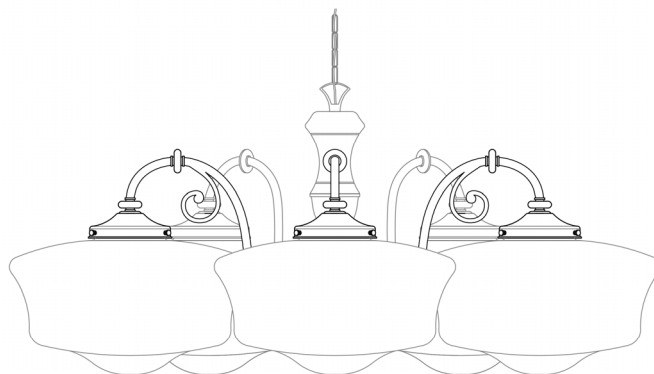
Fixing Bracket MLROSE12 | Antique Brass

* Fixing bracket may differ for UL wired products.



Product Notes:

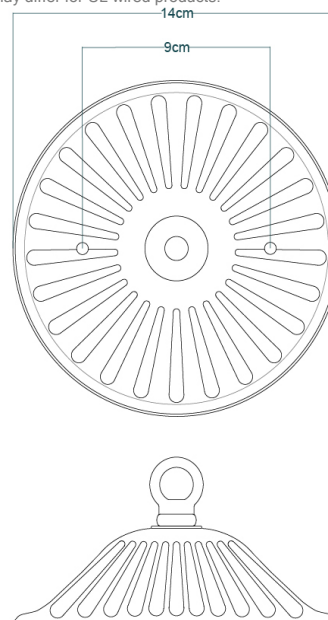
1) Bulbs not included. 2) Dimensions do not include bulbs. 3) All products are individually made-to-order and therefore may differ slightly within manufacturing tolerances. 4) Cable / chain can be shortened during installation. Longer cable / chain lengths available on request. 5) Additional colour finishes may be available on request. 6) UL wired products operate at 110/120v with the appropriate lamp holder. 7) Twisted cable is not available for UL wired products. Round cable in black or brown only is supplied instead. 8) Refer to our website for a full list of terms and conditions.



MATERIAL	Brass Glass
HEIGHT	50cm 19.69"
WIDTH DIAMETER	110cm 43.31"
LENGTH PROJECTION	n/a
WEIGHT	20KG 44.09lbs
LAMP HOLDER	E27 or E26 *
MAX WATTAGE	60W x 5
VOLTAGE	220/240v or 110/120v *
IP RATING	20
CLASS PROTECTION	I
SHADE CODE	GL041A x 5
CABLE CHAIN BAR LENGT	100cm 40"
CABLE TYPE	MLCA013 3 Core Round Clear PVC

Fixing Bracket MLROSE12 | Antique Silver

* Fixing bracket may differ for UL wired products.

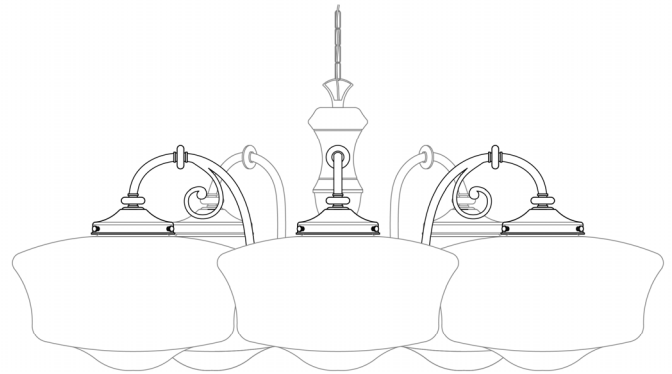


Product Notes:

1) Bulbs not included. 2) Dimensions do not include bulbs. 3) All products are individually made-to-order and therefore may differ slightly within manufacturing tolerances. 4) Cable / chain can be shortened during installation. Longer cable / chain lengths available on request. 5) Additional colour finishes may be available on request. 6) UL wired products operate at 110/120v with the appropriate lamp holder. 7) Twisted cable is not available for UL wired products. Round cable in black or brown only is supplied instead. 8) Refer to our website for a full list of terms and conditions.

CLONES Chandelier

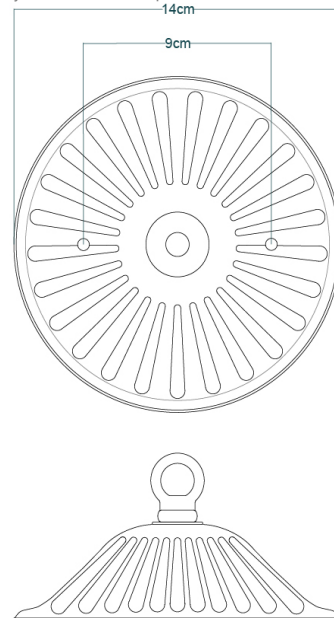
MLF200POLBRS Polished Brass



MATERIAL	Brass Glass
HEIGHT	50cm 19.69"
WIDTH DIAMETER	110cm 43.31"
LENGTH PROJECTION	n/a
WEIGHT	20KG 44.09lbs
LAMP HOLDER	E27 or E26 *
MAX WATTAGE	60W x 5
VOLTAGE	220/240v or 110/120v *
IP RATING	20
CLASS PROTECTION	I
SHADE CODE	GL041A x 5
CABLE CHAIN BAR LENGT	100cm 40"
CABLE TYPE	MLCA012 3 Core Round Gold PVC

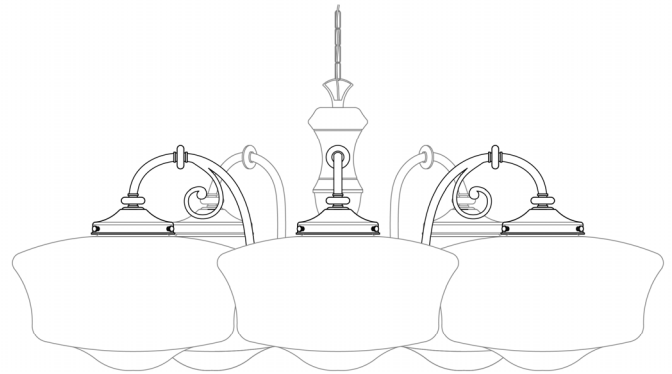
Fixing Bracket MLROSE12 | Polished Brass

* Fixing bracket may differ for UL wired products.



Product Notes:

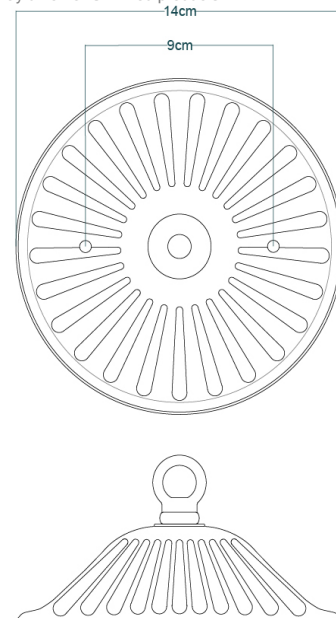
1) Bulbs not included. 2) Dimensions do not include bulbs. 3) All products are individually made-to-order and therefore may differ slightly within manufacturing tolerances. 4) Cable / chain can be shortened during installation. Longer cable / chain lengths available on request. 5) Additional colour finishes may be available on request. 6) UL wired products operate at 110/120v with the appropriate lamp holder. 7) Twisted cable is not available for UL wired products. Round cable in black or brown only is supplied instead. 8) Refer to our website for a full list of terms and conditions.



MATERIAL	Brass Glass
HEIGHT	50cm 19.69"
WIDTH DIAMETER	110cm 43.31"
LENGTH PROJECTION	n/a
WEIGHT	20KG 44.09lbs
LAMP HOLDER	E27 or E26 *
MAX WATTAGE	60W x 5
VOLTAGE	220/240v or 110/120v *
IP RATING	20
CLASS PROTECTION	I
SHADE CODE	GL041A x 5
CABLE CHAIN BAR LENGT	100cm 40"
CABLE TYPE	MLCA012 3 Core Round Gold PVC

Fixing Bracket MLROSE12 | Satin Brass

* Fixing bracket may differ for UL wired products.



Product Notes:

1) Bulbs not included. 2) Dimensions do not include bulbs. 3) All products are individually made-to-order and therefore may differ slightly within manufacturing tolerances. 4) Cable / chain can be shortened during installation. Longer cable / chain lengths available on request. 5) Additional colour finishes may be available on request. 6) UL wired products operate at 110/120v with the appropriate lamp holder. 7) Twisted cable is not available for UL wired products. Round cable in black or brown only is supplied instead. 8) Refer to our website for a full list of terms and conditions.