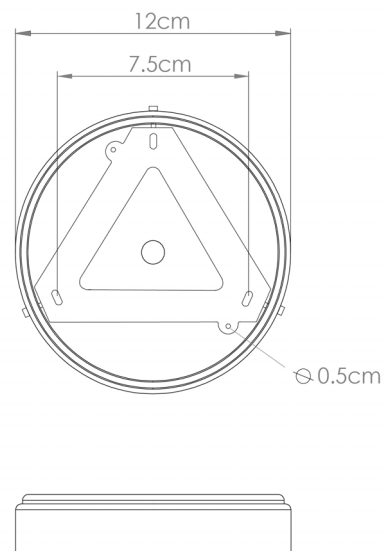


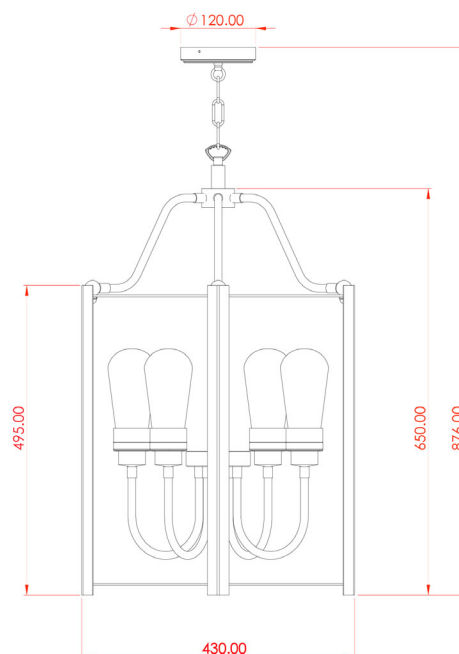
MATERIAL	Brass   Steel
HEIGHT	65cm   25.59"
WIDTH   DIAMETER	43cm   16.93"
LENGTH   PROJECTION	n/a
WEIGHT	8.5KG   18.74lbs
LAMPHOLDER	E27 x 4
MAX WATTAGE	6.5W x 4
VOLTAGE	220/240v
IP RATING	65
CLASS PROTECTION	I
SHADE	GL186
FLEX   BAR   CHAIN LENGT	100cm   40"
CABLE TYPE	MLOCA001   2 Core Round   Brown Braid   Rubber

Fixing Bracket MLWB17



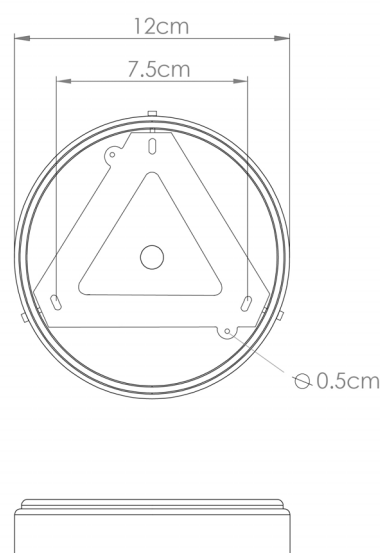
Product Notes:

1) Lamps not included with light fixture. 2) All products are individually hand crafted, therefore may differ slightly within manufacturing tolerances. 3) Please refer to: <http://www.mullanlighting.com/terms> for full list of Terms & Conditions. 4) Cable/Chain can be shortened during installation. 5) Longer Cable/Chain available on request. 6) Additional colour finishes available on request. 7.) Dimensions do not include lamps. 8.) Products wired to UL standards will operate at 110/120v with the appropriate lampholders.



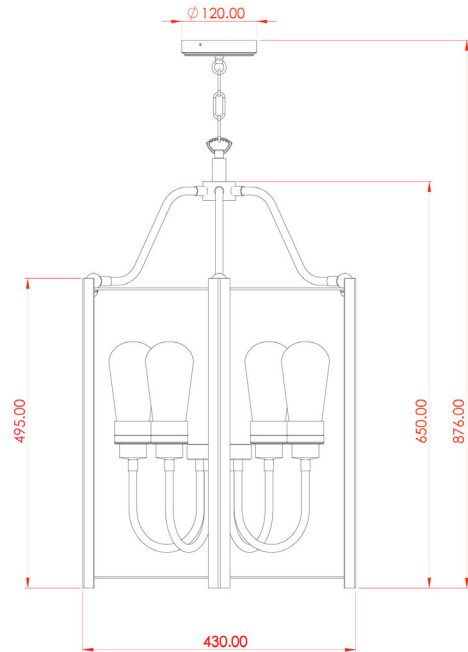
MATERIAL	Brass   Steel
HEIGHT	65cm   25.59"
WIDTH   DIAMETER	43cm   16.93"
LENGTH   PROJECTION	n/a
WEIGHT	8.5KG   18.74lbs
LAMPHOLDER	E27 x 4
MAX WATTAGE	6.5W x 4
VOLTAGE	220/240v
IP RATING	65
CLASS PROTECTION	I
SHADE	GL187
FLEX   BAR   CHAIN LENGT	100cm   40"
CABLE TYPE	MLOCA001   2 Core Round   Brown Braid   Rubber

Fixing Bracket MLWB17



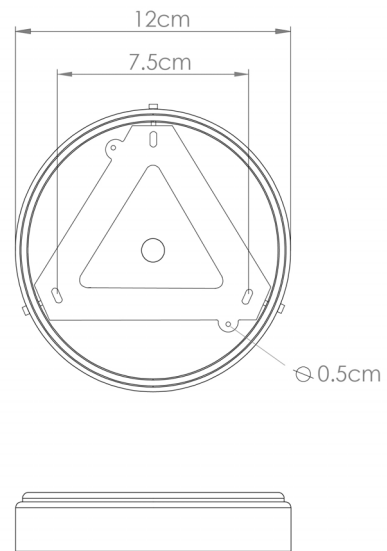
Product Notes:

1) Lamps not included with light fixture. 2) All products are individually hand crafted, therefore may differ slightly within manufacturing tolerances. 3) Please refer to: <http://www.mullanlighting.com/terms> for full list of Terms & Conditions. 4) Cable/Chain can be shortened during installation. 5) Longer Cable/Chain available on request. 6) Additional colour finishes available on request. 7.) Dimensions do not include lamps. 8.) Products wired to UL standards will operate at 110/120v with the appropriate lampholders.



MATERIAL	Brass   Steel
HEIGHT	65cm   25.59"
WIDTH   DIAMETER	43cm   16.93"
LENGTH   PROJECTION	n/a
WEIGHT	8.5KG   18.74lbs
LAMPHOLDER	E27 x 4
MAX WATTAGE	6.5W x 4
VOLTAGE	220/240v
IP RATING	65
CLASS PROTECTION	I
SHADE	GL188
FLEX   BAR   CHAIN LENGT	100cm   40"
CABLE TYPE	MLOCA001   2 Core Round   Brown Braid   Rubber

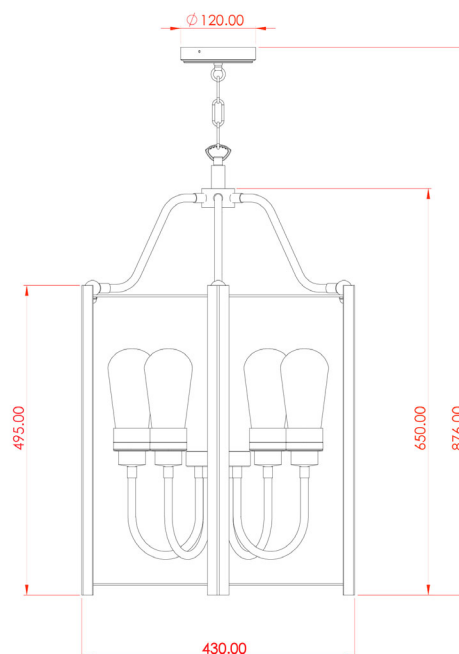
Fixing Bracket MLWB17



Product Notes:

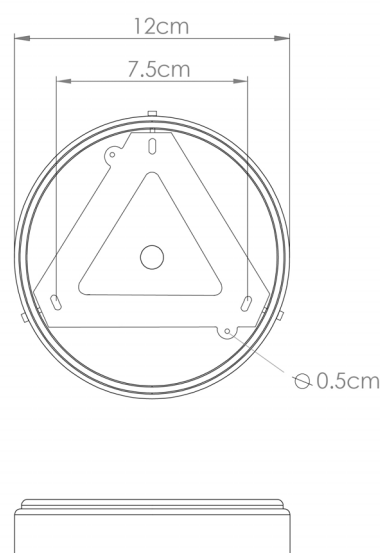
1) Lamps not included with light fixture. 2) All products are individually hand crafted, therefore may differ slightly within manufacturing tolerances. 3) Please refer to: <http://www.mullanlighting.com/terms> for full list of Terms & Conditions. 4) Cable/Chain can be shortened during installation. 5) Longer Cable/Chain available on request. 6) Additional colour finishes available on request. 7.) Dimensions do not include lamps. 8.) Products wired to UL standards will operate at 110/120v with the appropriate lampholders.





MATERIAL	Brass   Steel
HEIGHT	65cm   25.59"
WIDTH   DIAMETER	43cm   16.93"
LENGTH   PROJECTION	n/a
WEIGHT	8.5KG   18.74lbs
LAMPHOLDER	E27 x 4
MAX WATTAGE	6.5W x 4
VOLTAGE	220/240v
IP RATING	65
CLASS PROTECTION	I
SHADE	GL189
FLEX   BAR   CHAIN LENGT	100cm   40"
CABLE TYPE	MLOCA001   2 Core Round   Brown Braid   Rubber

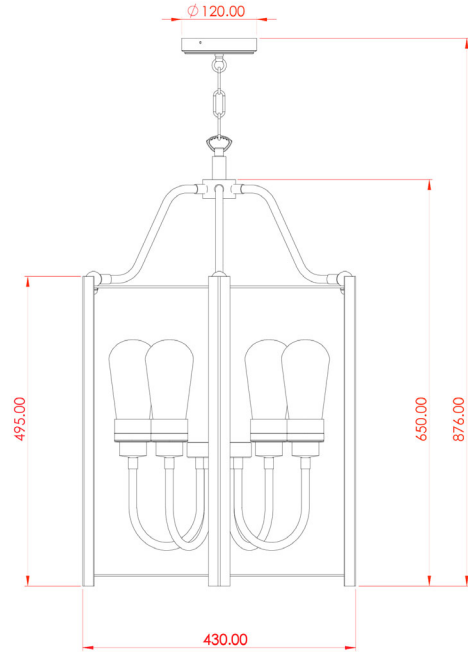
Fixing Bracket MLWB17



Product Notes:

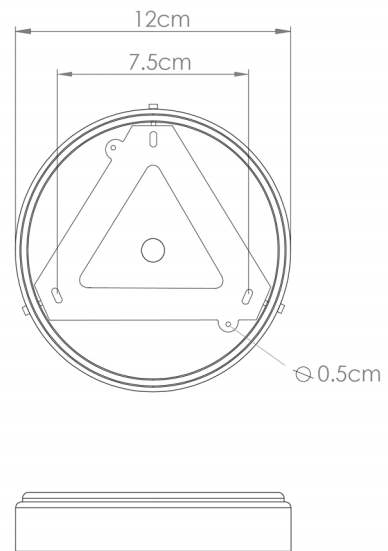
1) Lamps not included with light fixture. 2) All products are individually hand crafted, therefore may differ slightly within manufacturing tolerances. 3) Please refer to: <http://www.mullanlighting.com/terms> for full list of Terms & Conditions. 4) Cable/Chain can be shortened during installation. 5) Longer Cable/Chain available on request. 6) Additional colour finishes available on request. 7.) Dimensions do not include lamps. 8.) Products wired to UL standards will operate at 110/120v with the appropriate lampholders.





MATERIAL	Brass   Steel
HEIGHT	65cm   25.59"
WIDTH   DIAMETER	43cm   16.93"
LENGTH   PROJECTION	n/a
WEIGHT	8.5KG   18.74lbs
LAMPHOLDER	E27 x 4
MAX WATTAGE	6.5W x 4
VOLTAGE	220/240v
IP RATING	65
CLASS PROTECTION	I
SHADE	GL191
FLEX   BAR   CHAIN LENGT	100cm   40"
CABLE TYPE	MLOCA001   2 Core Round   Brown Braid   Rubber

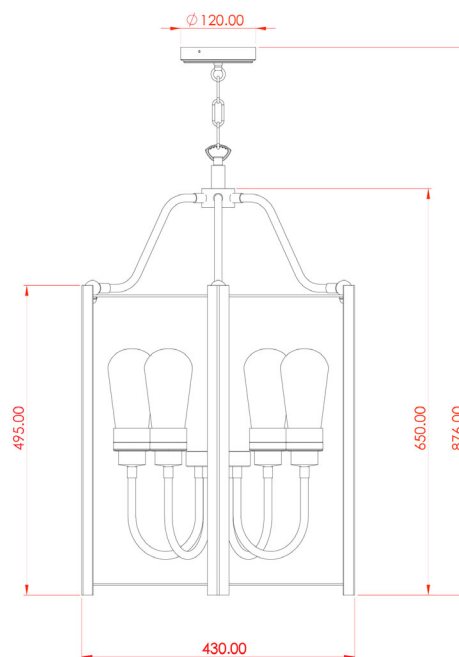
Fixing Bracket MLWB17



Product Notes:

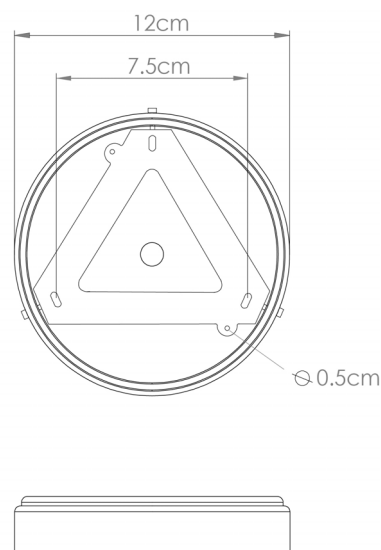
1) Lamps not included with light fixture. 2) All products are individually hand crafted, therefore may differ slightly within manufacturing tolerances. 3) Please refer to: <http://www.mullanlighting.com/terms> for full list of Terms & Conditions. 4) Cable/Chain can be shortened during installation. 5) Longer Cable/Chain available on request. 6) Additional colour finishes available on request. 7.) Dimensions do not include lamps. 8.) Products wired to UL standards will operate at 110/120v with the appropriate lampholders.





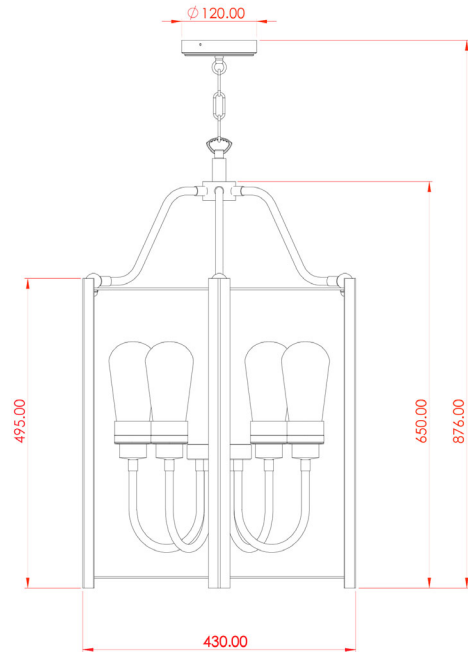
MATERIAL	Brass   Steel
HEIGHT	65cm   25.59"
WIDTH   DIAMETER	43cm   16.93"
LENGTH   PROJECTION	n/a
WEIGHT	8.5KG   18.74lbs
LAMPHOLDER	E27 x 4
MAX WATTAGE	6.5W x 4
VOLTAGE	220/240v
IP RATING	65
CLASS PROTECTION	I
SHADE	GLWP01
FLEX   BAR   CHAIN LENGT	100cm   40"
CABLE TYPE	MLOCA001   2 Core Round   Brown Braid   Rubber

Fixing Bracket MLWB17



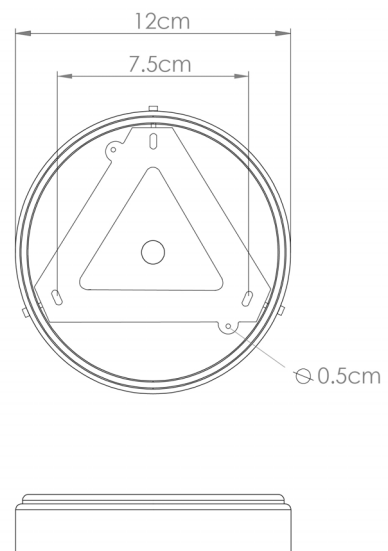
Product Notes:

- 1) Lamps not included with light fixture.
- 2) All products are individually hand crafted, therefore may differ slightly within manufacturing tolerances.
- 3) Please refer to: <http://www.mullanlighting.com/terms> for full list of Terms & Conditions.
- 4) Cable/Chain can be shortened during installation.
- 5) Longer Cable/Chain available on request.
- 6) Additional colour finishes available on request.
- 7) Dimensions do not include lamps.
- 8) Products wired to UL standards will operate at 110/120v with the appropriate lampholders.



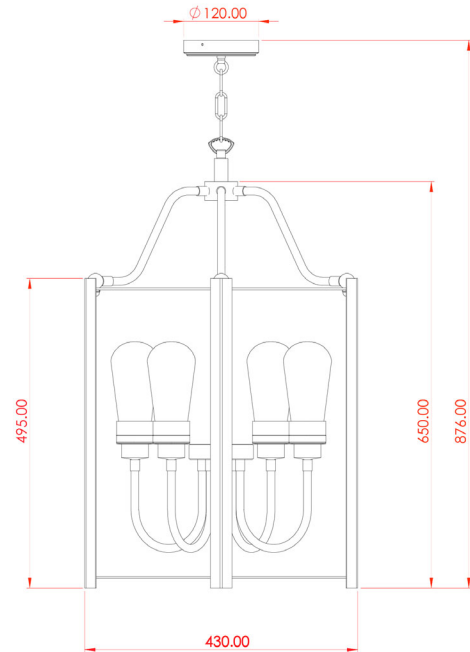
MATERIAL	Brass   Steel
HEIGHT	65cm   25.59"
WIDTH   DIAMETER	43cm   16.93"
LENGTH   PROJECTION	n/a
WEIGHT	8.5KG   18.74lbs
LAMPHOLDER	E27 x 4
MAX WATTAGE	6.5W x 4
VOLTAGE	220/240v
IP RATING	65
CLASS PROTECTION	I
SHADE	GLWP02
FLEX   BAR   CHAIN LENGT	100cm   40"
CABLE TYPE	MLOCA001   2 Core Round   Brown Braid   Rubber

Fixing Bracket MLWB17



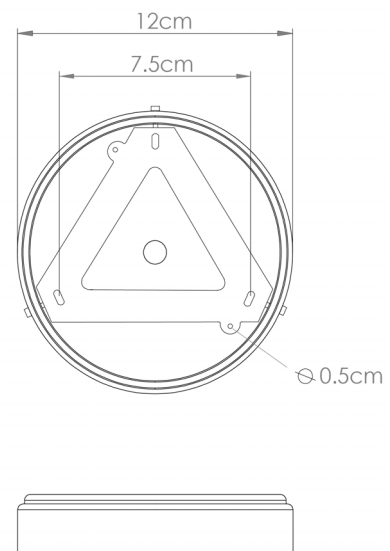
Product Notes:

1) Lamps not included with light fixture. 2) All products are individually hand crafted, therefore may differ slightly within manufacturing tolerances. 3) Please refer to: <http://www.mullanlighting.com/terms> for full list of Terms & Conditions. 4) Cable/Chain can be shortened during installation. 5) Longer Cable/Chain available on request. 6) Additional colour finishes available on request. 7.) Dimensions do not include lamps. 8.) Products wired to UL standards will operate at 110/120v with the appropriate lampholders.



MATERIAL	Brass   Steel
HEIGHT	72cm   28.35"
WIDTH   DIAMETER	43.7cm   17.2"
LENGTH   PROJECTION	n/a
WEIGHT	8.5KG   18.74lbs
LAMPHOLDER	E27 x 4
MAX WATTAGE	6.5W x 4
VOLTAGE	220/240v
IP RATING	65
CLASS PROTECTION	I
SHADE	GL186
FLEX   BAR   CHAIN LENGT	100cm   40"
CABLE TYPE	MLOCA002   2 Core Round   Black Braid   Rubber

Fixing Bracket MLWB17

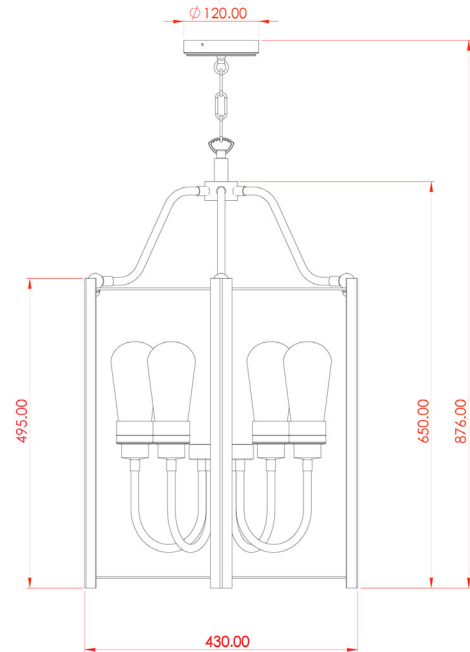


Product Notes:

1) Lamps not included with light fixture. 2) All products are individually hand crafted, therefore may differ slightly within manufacturing tolerances. 3) Please refer to: <http://www.mullanlighting.com/terms> for full list of Terms & Conditions. 4) Cable/Chain can be shortened during installation. 5) Longer Cable/Chain available on request. 6) Additional colour finishes available on request. 7.) Dimensions do not include lamps. 8.) Products wired to UL standards will operate at 110/120v with the appropriate lampholders.

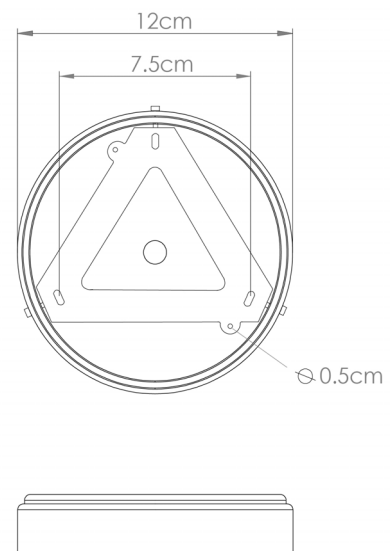






MATERIAL	Brass   Steel
HEIGHT	72cm   28.35"
WIDTH   DIAMETER	43.7cm   17.2"
LENGTH   PROJECTION	n/a
WEIGHT	8.5KG   18.74lbs
LAMPHOLDER	E27 x 4
MAX WATTAGE	6.5W x 4
VOLTAGE	220/240v
IP RATING	65
CLASS PROTECTION	I
SHADE	GL187
FLEX   BAR   CHAIN LENGT	100cm   40"
CABLE TYPE	MLOCA002   2 Core Round   Black Braid   Rubber

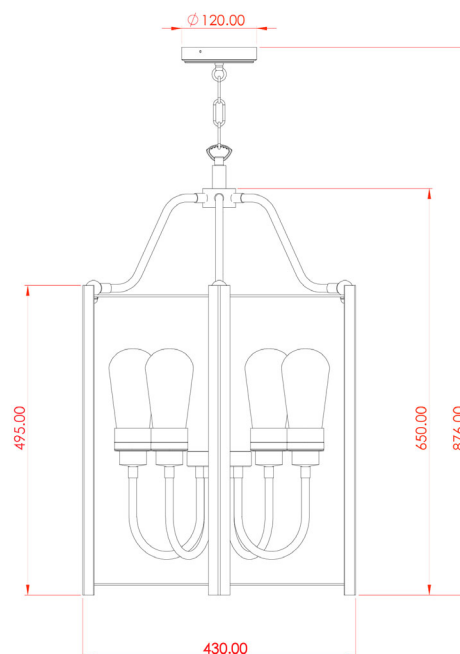
Fixing Bracket MLWB17



Product Notes:

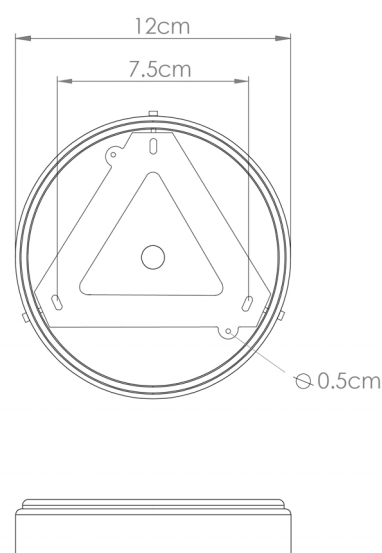
1) Lamps not included with light fixture. 2) All products are individually hand crafted, therefore may differ slightly within manufacturing tolerances. 3) Please refer to: <http://www.mullanlighting.com/terms> for full list of Terms & Conditions. 4) Cable/Chain can be shortened during installation. 5) Longer Cable/Chain available on request. 6) Additional colour finishes available on request. 7.) Dimensions do not include lamps. 8.) Products wired to UL standards will operate at 110/120v with the appropriate lampholders.





MATERIAL	Brass   Steel
HEIGHT	72cm   28.35"
WIDTH   DIAMETER	43.7cm   17.2"
LENGTH   PROJECTION	n/a
WEIGHT	8.5KG   18.74lbs
LAMPHOLDER	E27 x 4
MAX WATTAGE	6.5W x 4
VOLTAGE	220/240v
IP RATING	65
CLASS PROTECTION	I
SHADE	GL188
FLEX   BAR   CHAIN LENGT	100cm   40"
CABLE TYPE	MLOCA002   2 Core Round   Black Braid   Rubber

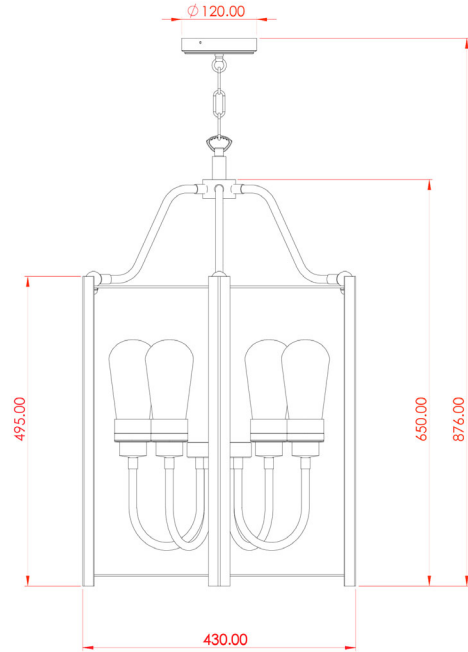
Fixing Bracket MLWB17



Product Notes:

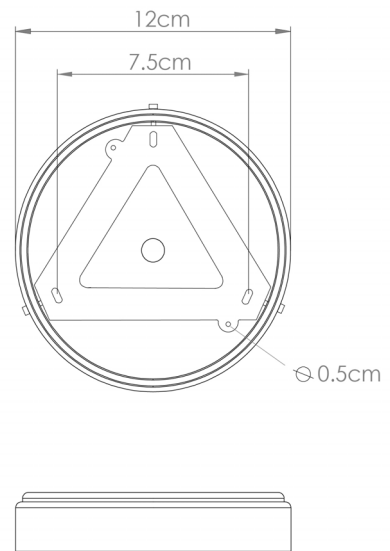
1) Lamps not included with light fixture. 2) All products are individually hand crafted, therefore may differ slightly within manufacturing tolerances. 3) Please refer to: <http://www.mullanlighting.com/terms> for full list of Terms & Conditions. 4) Cable/Chain can be shortened during installation. 5) Longer Cable/Chain available on request. 6) Additional colour finishes available on request. 7.) Dimensions do not include lamps. 8.) Products wired to UL standards will operate at 110/120v with the appropriate lampholders.

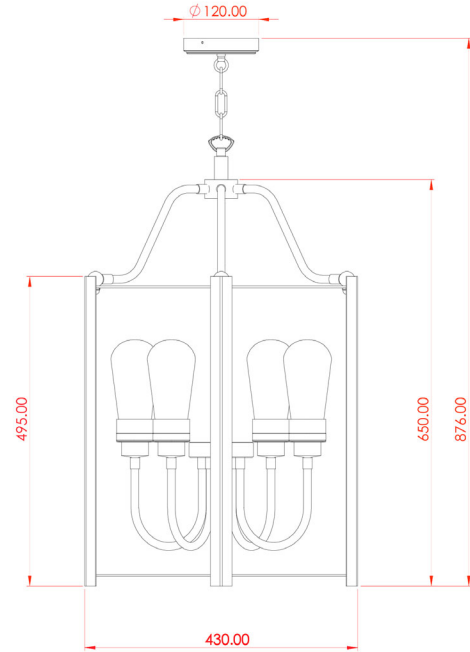




MATERIAL	Brass   Steel
HEIGHT	72cm   28.35"
WIDTH   DIAMETER	43.7cm   17.2"
LENGTH   PROJECTION	n/a
WEIGHT	8.5KG   18.74lbs
LAMPHOLDER	E27 x 4
MAX WATTAGE	6.5W x 4
VOLTAGE	220/240v
IP RATING	65
CLASS PROTECTION	I
SHADE	GL189
FLEX   BAR   CHAIN LENGT	100cm   40"
CABLE TYPE	MLOCA002   2 Core Round   Black Braid   Rubber

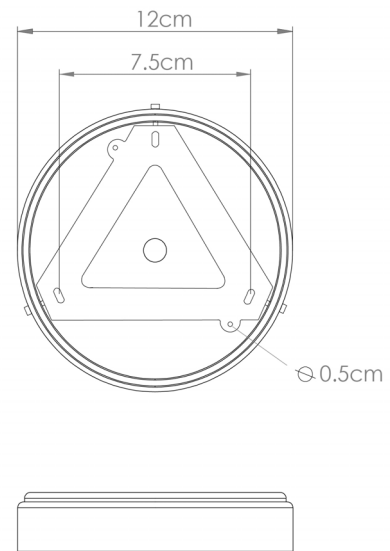
Fixing Bracket MLWB17





MATERIAL	Brass   Steel
HEIGHT	72cm   28.35"
WIDTH   DIAMETER	43.7cm   17.2"
LENGTH   PROJECTION	n/a
WEIGHT	8.5KG   18.74lbs
LAMPHOLDER	E27 x 4
MAX WATTAGE	6.5W x 4
VOLTAGE	220/240v
IP RATING	65
CLASS PROTECTION	I
SHADE	GL191
FLEX   BAR   CHAIN LENGT	100cm   40"
CABLE TYPE	MLOCA002   2 Core Round   Black Braid   Rubber

Fixing Bracket MLWB17

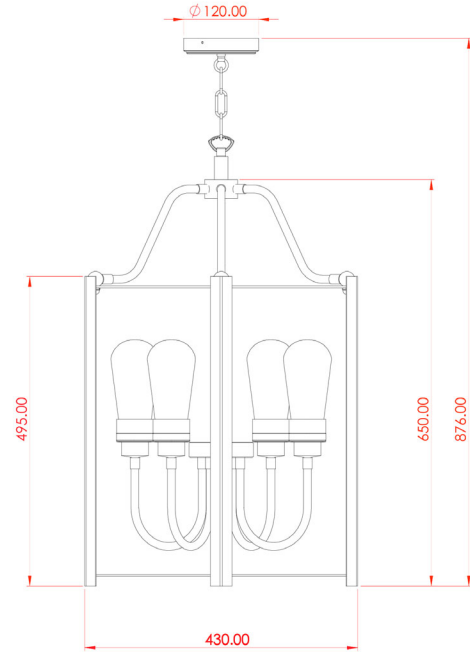


Product Notes:

1) Lamps not included with light fixture. 2) All products are individually hand crafted, therefore may differ slightly within manufacturing tolerances. 3) Please refer to: <http://www.mullanlighting.com/terms> for full list of Terms & Conditions. 4) Cable/Chain can be shortened during installation. 5) Longer Cable/Chain available on request. 6) Additional colour finishes available on request. 7.) Dimensions do not include lamps. 8.) Products wired to UL standards will operate at 110/120v with the appropriate lampholders.

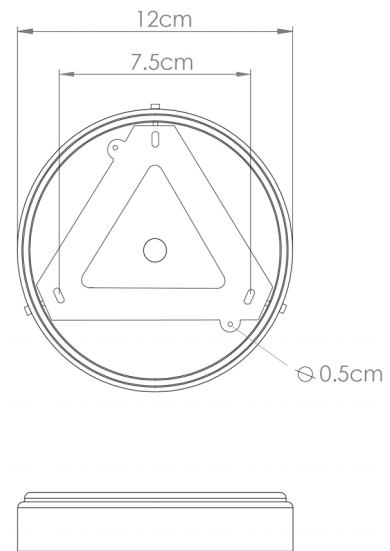






MATERIAL	Brass   Steel
HEIGHT	65cm   25.59"
WIDTH   DIAMETER	43cm   16.93"
LENGTH   PROJECTION	n/a
WEIGHT	8.5KG   18.74lbs
LAMPHOLDER	E27 x 4
MAX WATTAGE	6.5W x 4
VOLTAGE	220/240v
IP RATING	65
CLASS PROTECTION	I
SHADE	GLWP01
FLEX   BAR   CHAIN LENGT	100cm   40"
CABLE TYPE	MLOCA002   2 Core Round   Black Braid   Rubber

Fixing Bracket MLWB17

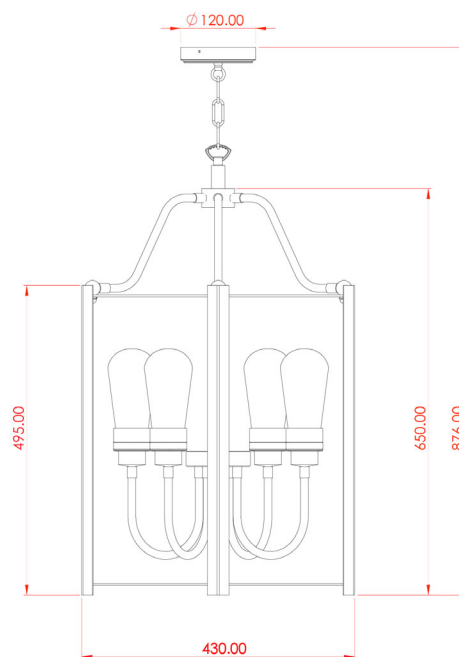


Product Notes:

1) Lamps not included with light fixture. 2) All products are individually hand crafted, therefore may differ slightly within manufacturing tolerances. 3) Please refer to: <http://www.mullanlighting.com/terms> for full list of Terms & Conditions. 4) Cable/Chain can be shortened during installation. 5) Longer Cable/Chain available on request. 6) Additional colour finishes available on request. 7.) Dimensions do not include lamps. 8.) Products wired to UL standards will operate at 110/120v with the appropriate lampholders.

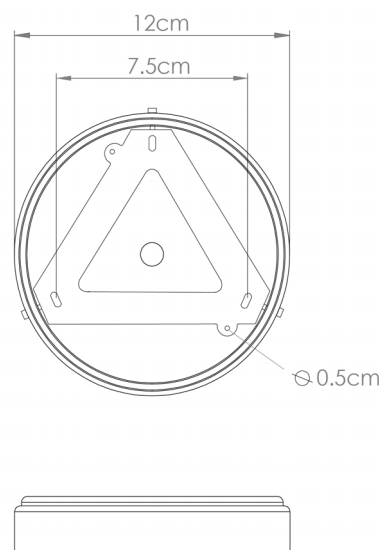


POWDER-COATED  
MATTE BLACK



MATERIAL	Brass   Steel
HEIGHT	65cm   25.59"
WIDTH   DIAMETER	43cm   16.93"
LENGTH   PROJECTION	n/a
WEIGHT	8.5KG   18.74lbs
LAMPHOLDER	E27 x 4
MAX WATTAGE	6.5W x 4
VOLTAGE	220/240v
IP RATING	65
CLASS PROTECTION	I
SHADE	GLWP02
FLEX   BAR   CHAIN LENGT	100cm   40"
CABLE TYPE	MLOCA002   2 Core Round   Black Braid   Rubber

Fixing Bracket MLWB17



Product Notes:

1) Lamps not included with light fixture. 2) All products are individually hand crafted, therefore may differ slightly within manufacturing tolerances. 3) Please refer to: <http://www.mullanlighting.com/terms> for full list of Terms & Conditions. 4) Cable/Chain can be shortened during installation. 5) Longer Cable/Chain available on request. 6) Additional colour finishes available on request. 7.) Dimensions do not include lamps. 8.) Products wired to UL standards will operate at 110/120v with the appropriate lampholders.

