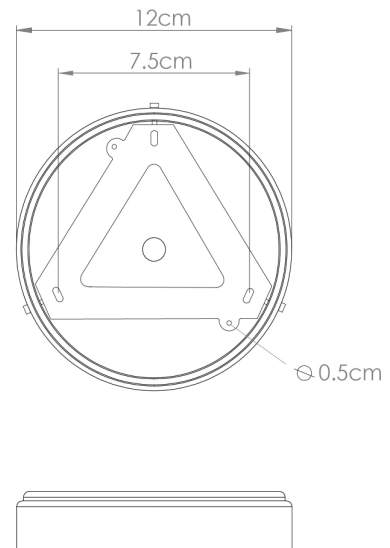




MATERIAL	Brass  Glass
HEIGHT	119cm   46.85"
WIDTH   DIAMETER	158cm   62.2"
LENGTH   PROJECTION	n/a
WEIGHT	28KG   61.73lbs
LAMP HOLDER	E27 or E26 *
MAX WATTAGE	40W x 21
VOLTAGE	220/240v or 110/120v *
IP RATING	20
CLASS PROTECTION	I
SHADE CODE	GL131
CABLE   CHAIN   BAR LENGT	100cm   40"
CABLE TYPE	MLCA036   3 Core Round   Brown   PVC

Fixing Bracket MLWB17| Antique Brass

\* Fixing bracket may differ for UL wired products.



Product Notes:

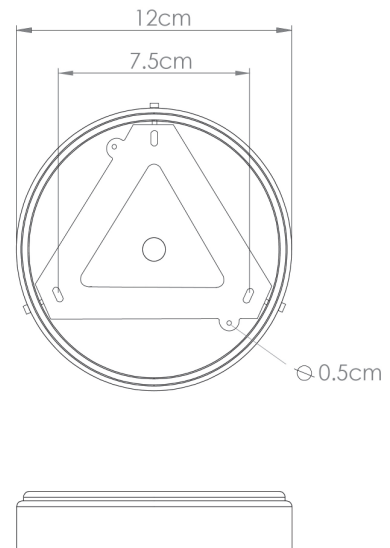
1) Bulbs not included. 2) Dimensions do not include bulbs. 3) All products are individually made-to-order and therefore may differ slightly within manufacturing tolerances. 4) Cable / chain can be shortened during installation. Longer cable / chain lengths available on request. 5) Additional colour finishes may be available on request. 6) UL wired products operate at 110/120v with the appropriate lamp holder. 7) Twisted cable is not available for UL wired products. Round cable in black or brown only is supplied instead. 8) Refer to our website for a full list of terms and conditions.



MATERIAL	Brass  Glass
HEIGHT	119cm   46.85"
WIDTH   DIAMETER	158cm   62.2"
LENGTH   PROJECTION	n/a
WEIGHT	34KG   74.96lbs
LAMP HOLDER	E27 or E26 *
MAX WATTAGE	40W x 21
VOLTAGE	220/240v or 110/120v *
IP RATING	20
CLASS PROTECTION	I
SHADE CODE	GL044E
CABLE   CHAIN   BAR LENGT	100cm   40"
CABLE TYPE	MLCA036   3 Core Round   Brown   PVC

Fixing Bracket MLWB17| Antique Brass

\* Fixing bracket may differ for UL wired products.



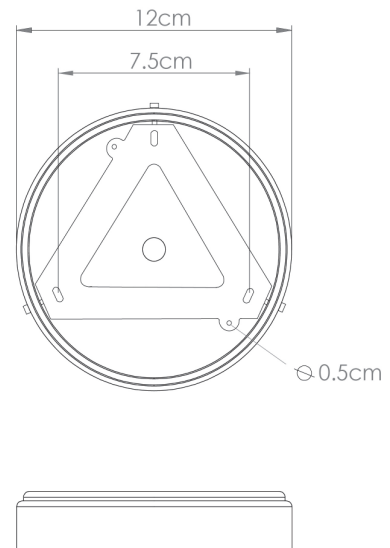
Product Notes:

1) Bulbs not included. 2) Dimensions do not include bulbs. 3) All products are individually made-to-order and therefore may differ slightly within manufacturing tolerances. 4) Cable / chain can be shortened during installation. Longer cable / chain lengths available on request. 5) Additional colour finishes may be available on request. 6) UL wired products operate at 110/120v with the appropriate lamp holder. 7) Twisted cable is not available for UL wired products. Round cable in black or brown only is supplied instead. 8) Refer to our website for a full list of terms and conditions.



MATERIAL	Brass  Glass
HEIGHT	119cm   46.85"
WIDTH   DIAMETER	158cm   62.2"
LENGTH   PROJECTION	n/a
WEIGHT	28KG   61.73lbs
LAMP HOLDER	E27 or E26 *
MAX WATTAGE	40W x 21
VOLTAGE	220/240v or 110/120v *
IP RATING	20
CLASS PROTECTION	I
SHADE CODE	GL131
CABLE   CHAIN   BAR LENGT	100cm   40"
CABLE TYPE	MLCA013   3 Core Round   Clear   PVC

Fixing Bracket MLWB17| Antique Silver  
 \* Fixing bracket may differ for UL wired products.



Product Notes:

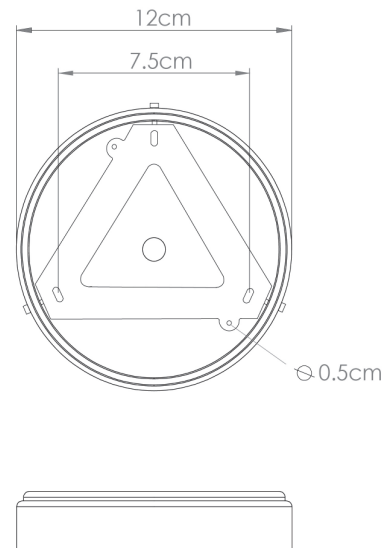
1) Bulbs not included. 2) Dimensions do not include bulbs. 3) All products are individually made-to-order and therefore may differ slightly within manufacturing tolerances. 4) Cable / chain can be shortened during installation. Longer cable / chain lengths available on request. 5) Additional colour finishes may be available on request. 6) UL wired products operate at 110/120v with the appropriate lamp holder. 7) Twisted cable is not available for UL wired products. Round cable in black or brown only is supplied instead. 8) Refer to our website for a full list of terms and conditions.



MATERIAL	Brass  Glass
HEIGHT	119cm   46.85"
WIDTH   DIAMETER	158cm   62.2"
LENGTH   PROJECTION	n/a
WEIGHT	34KG   74.96lbs
LAMP HOLDER	E27 or E26 *
MAX WATTAGE	40W x 21
VOLTAGE	220/240v or 110/120v *
IP RATING	20
CLASS PROTECTION	I
SHADE CODE	GL044E
CABLE   CHAIN   BAR LENGT	100cm   40"
CABLE TYPE	MLCA013   3 Core Round   Clear   PVC

Fixing Bracket MLWB17| Antique Silver

\* Fixing bracket may differ for UL wired products.



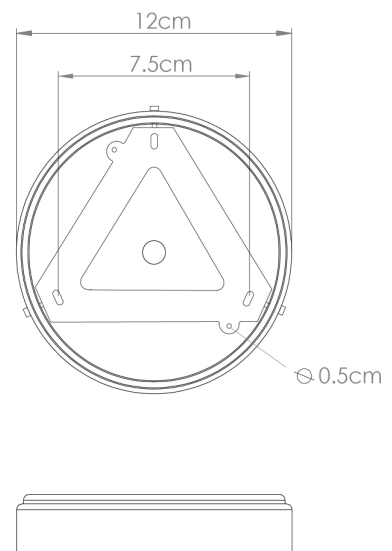
Product Notes:

1) Bulbs not included. 2) Dimensions do not include bulbs. 3) All products are individually made-to-order and therefore may differ slightly within manufacturing tolerances. 4) Cable / chain can be shortened during installation. Longer cable / chain lengths available on request. 5) Additional colour finishes may be available on request. 6) UL wired products operate at 110/120v with the appropriate lamp holder. 7) Twisted cable is not available for UL wired products. Round cable in black or brown only is supplied instead. 8) Refer to our website for a full list of terms and conditions.



MATERIAL	Brass  Glass
HEIGHT	119cm   46.85"
WIDTH   DIAMETER	158cm   62.2"
LENGTH   PROJECTION	n/a
WEIGHT	28KG   61.73lbs
LAMP HOLDER	E27 or E26 *
MAX WATTAGE	40W x 21
VOLTAGE	220/240v or 110/120v *
IP RATING	20
CLASS PROTECTION	I
SHADE CODE	GL131
CABLE   CHAIN   BAR LENGT	100cm   40"
CABLE TYPE	MLCA012   3 Core Round   Gold   PVC

Fixing Bracket MLWB17 | Natural Brass  
 \* Fixing bracket may differ for UL wired products.



Product Notes:

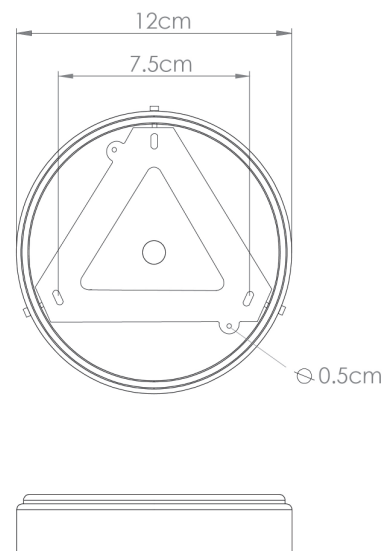
1) Bulbs not included. 2) Dimensions do not include bulbs. 3) All products are individually made-to-order and therefore may differ slightly within manufacturing tolerances. 4) Cable / chain can be shortened during installation. Longer cable / chain lengths available on request. 5) Additional colour finishes may be available on request. 6) UL wired products operate at 110/120v with the appropriate lamp holder. 7) Twisted cable is not available for UL wired products. Round cable in black or brown only is supplied instead. 8) Refer to our website for a full list of terms and conditions.



MATERIAL	Brass  Glass
HEIGHT	119cm   46.85"
WIDTH   DIAMETER	158cm   62.2"
LENGTH   PROJECTION	n/a
WEIGHT	34KG   74.96lbs
LAMP HOLDER	E27 or E26 *
MAX WATTAGE	40W x 21
VOLTAGE	220/240v or 110/120v *
IP RATING	20
CLASS PROTECTION	I
SHADE CODE	GL044E
CABLE   CHAIN   BAR LENGT	100cm   40"
CABLE TYPE	MLCA012   3 Core Round   Gold   PVC

Fixing Bracket MLWB17 | Natural Brass

\* Fixing bracket may differ for UL wired products.



Product Notes:

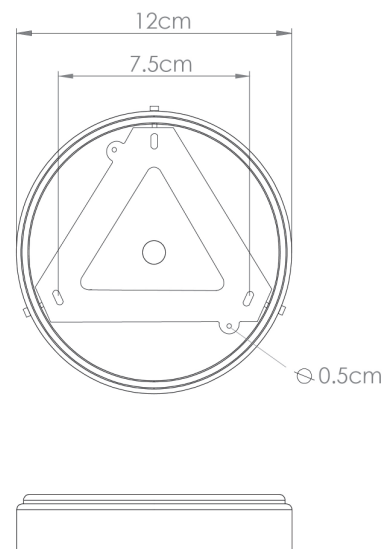
1) Bulbs not included. 2) Dimensions do not include bulbs. 3) All products are individually made-to-order and therefore may differ slightly within manufacturing tolerances. 4) Cable / chain can be shortened during installation. Longer cable / chain lengths available on request. 5) Additional colour finishes may be available on request. 6) UL wired products operate at 110/120v with the appropriate lamp holder. 7) Twisted cable is not available for UL wired products. Round cable in black or brown only is supplied instead. 8) Refer to our website for a full list of terms and conditions.





MATERIAL	Brass  Glass
HEIGHT	119cm   46.85"
WIDTH   DIAMETER	158cm   62.2"
LENGTH   PROJECTION	n/a
WEIGHT	28KG   61.73lbs
LAMP HOLDER	E27 or E26 *
MAX WATTAGE	40W x 21
VOLTAGE	220/240v or 110/120v *
IP RATING	20
CLASS PROTECTION	I
SHADE CODE	GL131
CABLE   CHAIN   BAR LENGT	100cm   40"
CABLE TYPE	MLCA012   3 Core Round   Gold   PVC

Fixing Bracket MLWB17| Polished Brass  
\* Fixing bracket may differ for UL wired products.



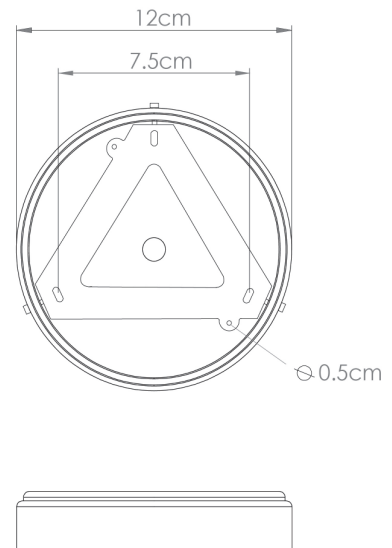
Product Notes:

1) Bulbs not included. 2) Dimensions do not include bulbs. 3) All products are individually made-to-order and therefore may differ slightly within manufacturing tolerances. 4) Cable / chain can be shortened during installation. Longer cable / chain lengths available on request. 5) Additional colour finishes may be available on request. 6) UL wired products operate at 110/120v with the appropriate lamp holder. 7) Twisted cable is not available for UL wired products. Round cable in black or brown only is supplied instead. 8) Refer to our website for a full list of terms and conditions.



MATERIAL	Brass  Glass
HEIGHT	119cm   46.85"
WIDTH   DIAMETER	158cm   62.2"
LENGTH   PROJECTION	n/a
WEIGHT	34KG   74.96lbs
LAMP HOLDER	E27 or E26 *
MAX WATTAGE	40W x 21
VOLTAGE	220/240v or 110/120v *
IP RATING	20
CLASS PROTECTION	I
SHADE CODE	GL044E
CABLE   CHAIN   BAR LENGT	100cm   40"
CABLE TYPE	MLCA012   3 Core Round   Gold   PVC

Fixing Bracket MLWB17| Polished Brass  
 \* Fixing bracket may differ for UL wired products.



Product Notes:

1) Bulbs not included. 2) Dimensions do not include bulbs. 3) All products are individually made-to-order and therefore may differ slightly within manufacturing tolerances. 4) Cable / chain can be shortened during installation. Longer cable / chain lengths available on request. 5) Additional colour finishes may be available on request. 6) UL wired products operate at 110/120v with the appropriate lamp holder. 7) Twisted cable is not available for UL wired products. Round cable in black or brown only is supplied instead. 8) Refer to our website for a full list of terms and conditions.

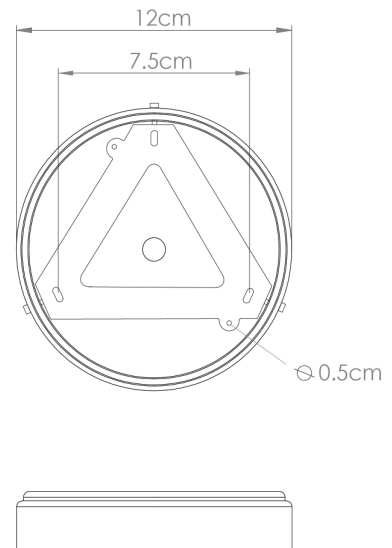




MATERIAL	Brass  Glass
HEIGHT	119cm   46.85"
WIDTH   DIAMETER	158cm   62.2"
LENGTH   PROJECTION	n/a
WEIGHT	28KG   61.73lbs
LAMP HOLDER	E27 or E26 *
MAX WATTAGE	40W x 21
VOLTAGE	220/240v or 110/120v *
IP RATING	20
CLASS PROTECTION	I
SHADE CODE	GL131
CABLE   CHAIN   BAR LENGT	100cm   40"
CABLE TYPE	MLCA012   3 Core Round   Gold   PVC

Fixing Bracket MLWB17| Satin Brass

\* Fixing bracket may differ for UL wired products.



Product Notes:

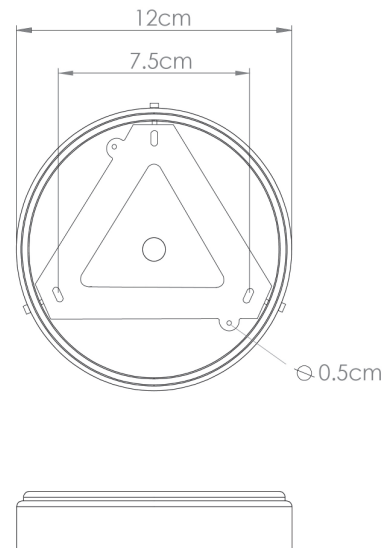
1) Bulbs not included. 2) Dimensions do not include bulbs. 3) All products are individually made-to-order and therefore may differ slightly within manufacturing tolerances. 4) Cable / chain can be shortened during installation. Longer cable / chain lengths available on request. 5) Additional colour finishes may be available on request. 6) UL wired products operate at 110/120v with the appropriate lamp holder. 7) Twisted cable is not available for UL wired products. Round cable in black or brown only is supplied instead. 8) Refer to our website for a full list of terms and conditions.



MATERIAL	Brass  Glass
HEIGHT	119cm   46.85"
WIDTH   DIAMETER	158cm   62.2"
LENGTH   PROJECTION	n/a
WEIGHT	34KG   74.96lbs
LAMP HOLDER	E27 or E26 *
MAX WATTAGE	40W x 21
VOLTAGE	220/240v or 110/120v *
IP RATING	20
CLASS PROTECTION	I
SHADE CODE	GL044E
CABLE   CHAIN   BAR LENGT	100cm   40"
CABLE TYPE	MLCA012   3 Core Round   Gold   PVC

Fixing Bracket MLWB17| Satin Brass

\* Fixing bracket may differ for UL wired products.



Product Notes:

1) Bulbs not included. 2) Dimensions do not include bulbs. 3) All products are individually made-to-order and therefore may differ slightly within manufacturing tolerances. 4) Cable / chain can be shortened during installation. Longer cable / chain lengths available on request. 5) Additional colour finishes may be available on request. 6) UL wired products operate at 110/120v with the appropriate lamp holder. 7) Twisted cable is not available for UL wired products. Round cable in black or brown only is supplied instead. 8) Refer to our website for a full list of terms and conditions.